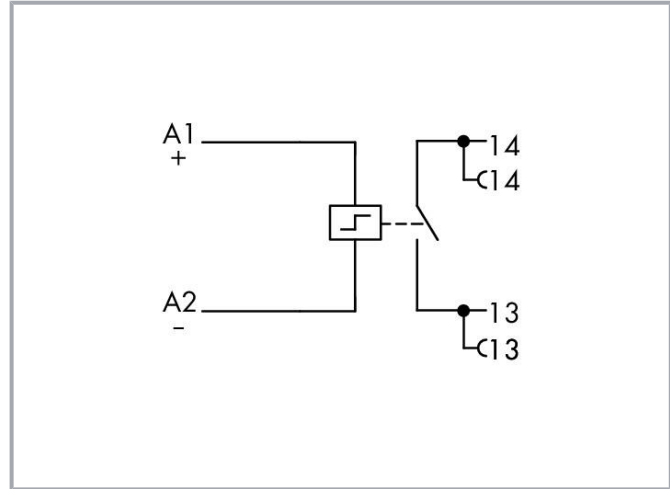
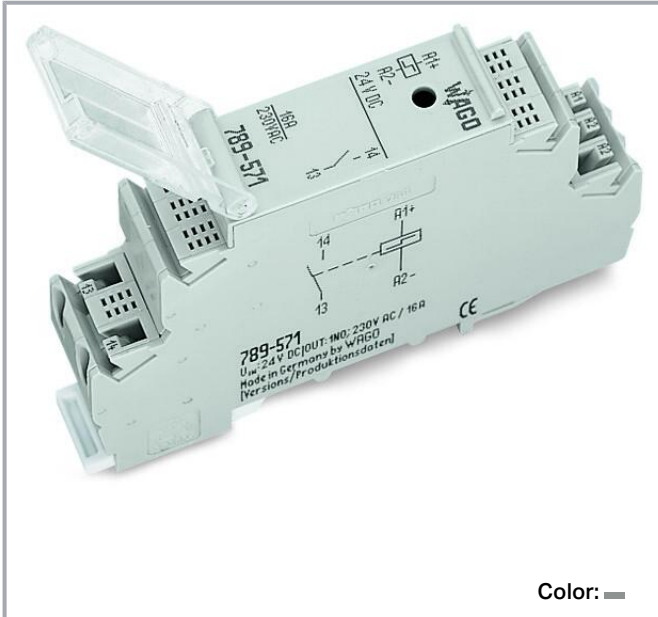


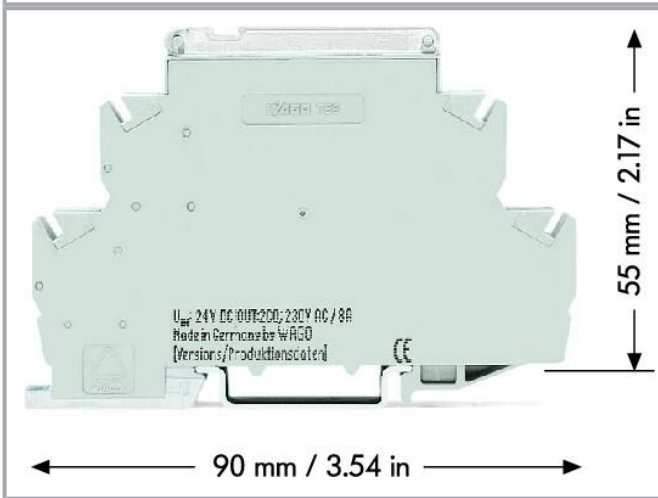
**Data sheet | Item number: 789-571**

Latching relay module; Nominal input voltage: 24 VDC; 1 make contact;  
Limiting continuous current: 16 A; Red status indicator; Module width: 18 mm; 2,50 mm<sup>2</sup>; gray

[www.wago.com/789-571](http://www.wago.com/789-571)



Color: —



**Data**

**Technical data**

Subject to changes. Please also observe the further product documentation!

WAGO GmbH & Co. KG  
Hansastr. 27  
32423 Minden  
Phone: +49571 887-0 | Fax: +49571 887-169  
Email: [info.de@wago.com](mailto:info.de@wago.com) | Web: [www.wago.com](http://www.wago.com)

Do you have any questions about our products?  
We are always happy to take your call at +49 (571) 887-44222.

## Control Circuit

Nominal input voltage $U_N$	DC 24 V
Input voltage range	-15 ... +10 %
Nominal input current at $U_N$	82 mA
Coil control	Pulse mode
Minimum pulse length (control input)	40 ms
Minimum break time	180 ms

## Load circuit

Number of make/switch-on contacts	1
Contact material (relay)	AgSnO <sub>2</sub>
Limiting continuous current	16 A
Inrush current (resistive) max.	(AC) 50 A / 0.02 s
Switching voltage (max.)	AC 250 V
Switching power (resistive) max.	AC 4000 VA
Recommended minimum load	10 V / 10 mA
Electrical life (NO; resistive load; 23 °C)	50 x 10 <sup>3</sup> switching operations
Mechanical life	1 x 10 <sup>6</sup> switching operations
Switching frequency with/without load (max.)	6 min <sup>-1</sup> / 240 min <sup>-1</sup>
Protection	Circuit breaker: 16 A (max.); Tripping characteristic: B

## Signaling

Status indicator	Red LED
------------------	---------

## Safety and protection

Rated voltage	250 V
Rated surge voltage	4 kV
Pollution degree	2
Dielectric strength (control/load circuit) (AC, 1 min)	4 kVrms
Protection type	IP20

## Connection data

Connection technology	CAGE CLAMP®
-----------------------	-------------

Subject to changes. Please also observe the further product documentation!



Solid conductor	0.2 ... 2.5 mm <sup>2</sup> / 24 ... 14 AWG
Fine-stranded conductor	0.2 ... 2.5 mm <sup>2</sup> / 24 ... 14 AWG
Strip length	9 ... 10 mm / 0.35 ... 0.39 inches

### Physical data

Width	17.5 mm / 0.689 inches
Height	90 mm / 3.543 inches
Depth from upper-edge of DIN-rail	55 mm / 2.165 inches

### Mechanical data

Mounting type	DIN-35 rail
---------------	-------------

### Material Data

Color	gray
Fire load	0.742 MJ
Weight	58.8 g

### Environmental requirements

Ambient temperature (operation at U <sub>N</sub> )	-25 ... +40 °C
Ambient temperature (storage)	-40 ... +85 °C
Processing temperature	-25 ... +50 °C

### Standards and specifications

Standards/specifications	EN 60664-1
--------------------------	------------

### Commercial data

Product Group	6 (INTERFACE ELECTRONIC)
eCl@ss 10.0	27-14-23-09
eCl@ss 9.0	27-14-23-09
ETIM 8.0	EC001437
ETIM 7.0	EC001437
PU (SPU)	10 (1) pcs
Packaging type	box
Country of origin	DE
GTIN	4045454572655




Subject to changes. Please also observe the further product documentation!

Customs tariff number	85364900990
-----------------------	-------------

## Environmental Product Compliance

CAS-No.	7439-92-1 79-94-7
REACH Candidate List Substance	2,2',6,6'-tetrabromo-4,4'-isopropylidenediphenol Lead
RoHS Compliance Status	Compliant,With Exemption
RoHS Exemption	6(c) 7(a) 7(c)-I 7(c)-II
SCIP notification number (Austria)	47a23f63-5d1b-4163-aaaa-17a6ad486e0e
SCIP notification number (Belgium)	15d3a70e-e176-43f3-891b-f071bf91bf2a
SCIP notification number (Bulgaria)	f5f7e129-7373-42ff-a5ad-b6f347fa44d2
SCIP notification number (Czech Republic)	ddfbdc03-d9de-4eb3-8b39-865f36d28bb0
SCIP notification number (Denmark)	db3228ba-af73-4c58-8239-701c1458bf3c
SCIP notification number (Finland)	80e43c22-17db-4045-a4e8-dc706d14da5a
SCIP notification number (France)	fbb97914-aa41-41e0-807a-3ed624091a66
SCIP notification number (Germany)	4a18058b-0969-4a85-9c49-247dfa269635
SCIP notification number (Hungary)	5d426e4b-1714-4530-acf5-625acc3d78d0
SCIP notification number (Italy)	ff18a9dc-2c0f-43fe-aec5-e2b12c4e512d
SCIP notification number (Netherlands)	a0be3dd7-9ec6-43f0-a4ce-1d4e2af0a8e2
SCIP notification number (Poland)	b31516bb-3f11-468c-8510-2c0e271245fb
SCIP notification number (Romania)	c9ab27e8-3f63-46cb-8df2-f5f70e4c2a01
SCIP notification number (Sweden)	39675669-d41a-422e-b84b-8f3a9d120ba6

## Optional accessories

Ferrule		
Ferrule		
	<b>Item no.: 216-241</b> Ferrule; Sleeve for 0.5 mm <sup>2</sup> / 20 AWG; insulated; electro-tin plated; electrolytic copper; gastight crimped; acc. to DIN 46228, Part 4/09.90; white	<a href="http://www.wago.com/216-241">www.wago.com/216-241</a>
	<b>Item no.: 216-242</b> Ferrule; Sleeve for 0.75 mm <sup>2</sup> / 18 AWG; insulated; electro-tin plated; electrolytic copper; gastight crimped; acc. to DIN 46228, Part 4/09.90; gray	<a href="http://www.wago.com/216-242">www.wago.com/216-242</a>
	<b>Item no.: 216-243</b> Ferrule; Sleeve for 1 mm <sup>2</sup> / AWG 18; insulated; electro-tin plated; electrolytic copper; gastight crimped; acc. to DIN 46228, Part 4/09.90; red	<a href="http://www.wago.com/216-243">www.wago.com/216-243</a>
	<b>Item no.: 216-244</b> Ferrule; Sleeve for 1.5 mm <sup>2</sup> / AWG 16; insulated; electro-tin plated; electrolytic copper; gastight	<a href="http://www.wago.com/216-244">www.wago.com/216-244</a>

Subject to changes. Please also observe the further product documentation!

crimped; acc. to DIN 46228, Part 4/09.90; black

**Jumpers**

Jumper



**Item no.: 789-112**

Jumper; 12-way; silver-colored

[www.wago.com/789-112](http://www.wago.com/789-112)

**Tool**

Operating tool



**Item no.: 210-720**

Operating tool; Blade: 3.5 x 0.5 mm; with a partially insulated shaft; multicoloured

[www.wago.com/210-720](http://www.wago.com/210-720)

**Marking accessories**

Marking devices



**Item no.: 210-110**

Fiber-tip pen

[www.wago.com/210-110](http://www.wago.com/210-110)

Marker



**Item no.: 2009-145**

Mini-WSB Inline; for Smart Printer; 1700 pieces on roll; stretchable 5 - 5.2 mm; plain; snap-on type; white

[www.wago.com/2009-145](http://www.wago.com/2009-145)



**Item no.: 248-451**

Mini-WSB marking card; as card; MARKED; K11 - K20 (10x); not stretchable; Horizontal marking; snap-on type; white

[www.wago.com/248-451](http://www.wago.com/248-451)



**Item no.: 248-455**

Mini-WSB marking card; as card; MARKED; U 100 (10x); not stretchable; Horizontal marking; snap-on type; white

[www.wago.com/248-455](http://www.wago.com/248-455)



**Item no.: 248-450**

Mini-WSB marking card; as card; MARKED; K1 - K10 (10x); not stretchable; Horizontal marking; snap-on type; white

[www.wago.com/248-450](http://www.wago.com/248-450)



**Item no.: 248-452**

Mini-WSB marking card; as card; MARKED; K (100x); not stretchable; Horizontal marking; snap-on type; white

[www.wago.com/248-452](http://www.wago.com/248-452)



**Item no.: 248-453**

Mini-WSB marking card; as card; MARKED; U1, ... U10 (10x); not stretchable; Horizontal marking; snap-on type; white

[www.wago.com/248-453](http://www.wago.com/248-453)



**Item no.: 248-454**

Mini-WSB marking card; as card; MARKED; U11 - U20 (10x); not stretchable; Horizontal marking; snap-on type; white

[www.wago.com/248-454](http://www.wago.com/248-454)



**Item no.: 248-566**

Mini-WSB marking card; as card; MARKED; 1 ... 50 (2x); not stretchable; Horizontal marking; snap-on type; white

[www.wago.com/248-566](http://www.wago.com/248-566)



**Item no.: 248-501**

Mini-WSB marking card; as card; not stretchable; plain; snap-on type; white

[www.wago.com/248-501](http://www.wago.com/248-501)

Subject to changes. Please also observe the further product documentation!

WAGO GmbH & Co. KG

Hansastr. 27





32423 Minden

Phone: +49571 887-0 | Fax: +49571 887-169

Email: [info.de@wago.com](mailto:info.de@wago.com) | Web: [www.wago.com](http://www.wago.com)

Do you have any questions about our products?

We are always happy to take your call at +49 (571) 887-44222.

	<b>Item no.: 248-504</b> Mini-WSB marking card; as card; MARKED; 21 ... 30 (10x); not stretchable; Horizontal marking; snap-on type; white	<a href="http://www.wago.com/248-504">www.wago.com/248-504</a>
	<b>Item no.: 248-503</b> Mini-WSB marking card; as card; MARKED; 11 ... 20 (10x); not stretchable; Horizontal marking; snap-on type; white	<a href="http://www.wago.com/248-503">www.wago.com/248-503</a>
	<b>Item no.: 248-506</b> Mini-WSB marking card; as card; MARKED; 41 ... 50 (10x); not stretchable; Horizontal marking; snap-on type; white	<a href="http://www.wago.com/248-506">www.wago.com/248-506</a>
	<b>Item no.: 248-502</b> Mini-WSB marking card; as card; MARKED; 1 ... 10 (10x); not stretchable; Horizontal marking; snap-on type; white	<a href="http://www.wago.com/248-502">www.wago.com/248-502</a>

## Downloads

### Documentation

#### Bid Text

789-571 docx - Datei	2019 Feb 20	docx 16.9 kB	Download
789-571 X81 - Datei	2019 Feb 19	xml 5.0 kB	Download

#### Instruction Leaflet

		pdf 1.3 MB	Download
--	--	---------------	----------

#### Additional Information

Disposal and Recycling Electrical and electronic equipment, Batteries, Packaging	V 1.1.0 2022 Aug 18	pdf 2.2 MB	Download
---	------------------------	---------------	----------

## CAD/CAE-Data

### CAD data

2D/3D Models 789-571	URL	Download
----------------------	-----	----------

### CAE data

EPLAN Data Portal 789-571	URL	Download
---------------------------	-----	----------

WSCAD Universe 789-571	URL	Download
------------------------	-----	----------

Subject to changes. Please also observe the further product documentation!

## Environmental Product Compliance

### Compliance Search

Environmental Product Compliance 789-571

[URL](#)

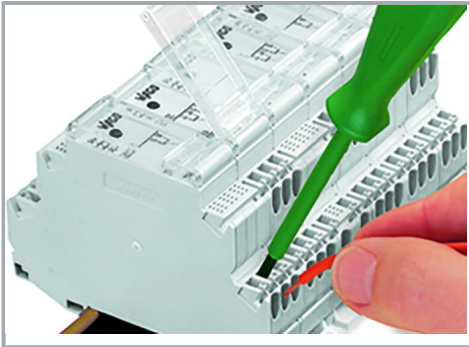
[Download](#)

Latching relay module; Nominal input voltage: 24 VDC; 1 make contact; Limiting continuous current: 16 A; Red status indicator; Module width: 18 mm; 2,50 mm<sup>2</sup>; gray

---

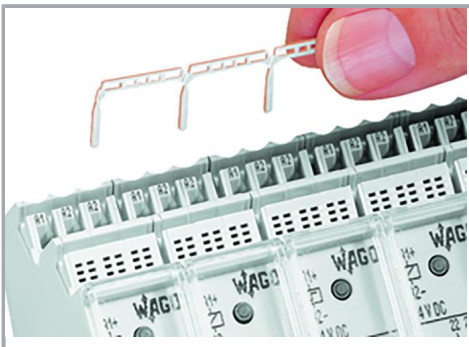
## Installation Notes

### Conductor termination



Inserting a conductor.

### Commoning

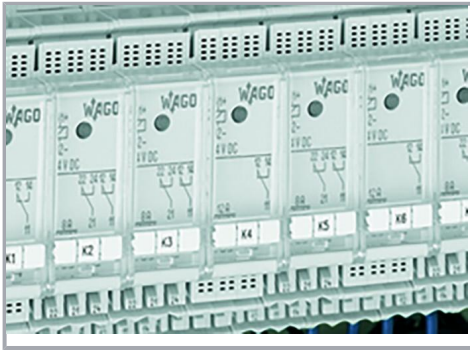


Easy commoning via adjacent jumpers.

### Marking

Subject to changes. Please also observe the further product documentation!

---



Marking via Mini-WSB Quick Marking System.

Subject to changes. Please also observe the further product documentation!

WAGO GmbH & Co. KG  
Hansastr. 27  
32423 Minden  
Phone: +49571 887-0 | Fax: +49571 887-169  
Email: [info.de@wago.com](mailto:info.de@wago.com) | Web: [www.wago.com](http://www.wago.com)

Do you have any questions about our products?  
We are always happy to take your call at +49 (571) 887-44222.