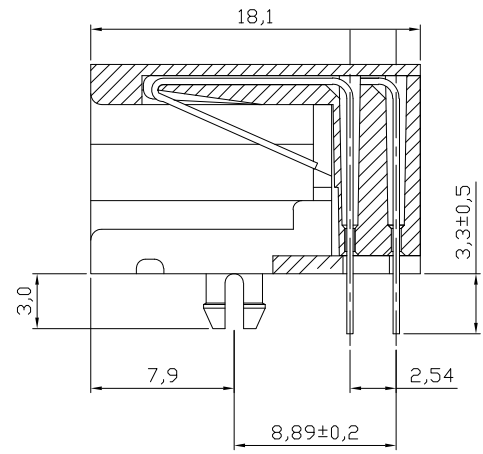
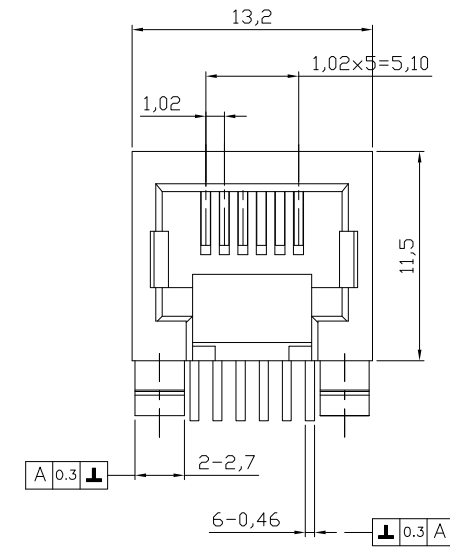


1 2 3 4 5 6 7

A



Section A-A

**NOTES:**  
**Mechanical:**  
 1. Housing material : Glass Filled Polyester UL94V-0 , Color: Black  
 2. Contact material: Phosphor Bronze t=0.35mm  
 3. Contact plating: Contact area---Selective gold plating  
 Tails---Tin plated all over 50u" Nickel  
 4. Operating Life: 750 Cycles min.  
 5. PCB Retention Pre-solder: 1 LB min.  
 6. PCB Retention Post-solder: 10 LBS min.  
**Electrical:**  
 1. Voltage Rating: 125VAC.  
 2. Current Rating: 1.5AMP.  
 3. Contact Resistance: 35mΩ max.  
 4. Insulation Resistance: 1000MΩ min. @ 500 VDC  
 5. Dielectric Strength: 1000 VAC 60Hz, 1 min.  
**Environmental:**  
 1. Storage: -40°C To +85°C  
 2. Operation: -40°C~+85°C  
 3. Wave Soldering Temp: 200~220°C(5~10S)  
 Packing: 120pcs/Tray, 3360pcs/Carton

A

B

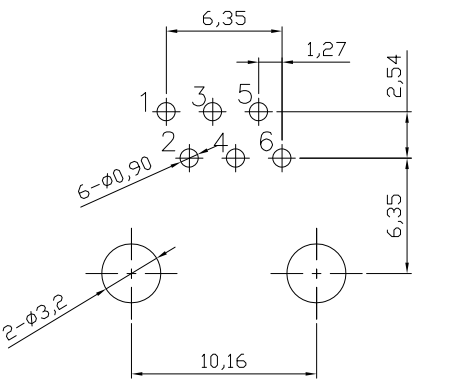
B

C

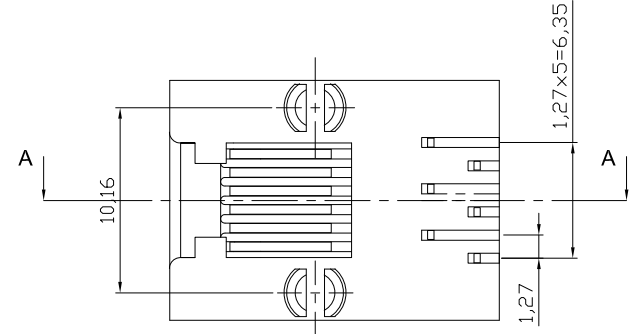
C

D

D



PC Board Layout Component Side Shown



Order code: A-2004-1-X-LP-N

Contact plating:  
 1: selective 15u" gold  
 2: selective 30u" gold  
 3: selective 50u" gold  
 4: selective 6u" gold

E

E

F

F

**RoHS compliant**  
Unit:mm

Scale	Free						Date	Name	Customer-No.
TOLERANCE						Drawn	27.05.2013	Amy	
X.X	±0.20					Approved	27.05.2013	Amy	ASSMANN WSW-No.
X.XX	±0.15								A-2004-1-X-LP-N
X.XXX	±0.10								Drawing-No.
DIM	TOL								ASS 5688 CO
		①	Drawn	27.05.2013	Amy			ASS 5688 CO	rev00
Angle	±5°	Id.	Modification	Date	Name			Replace	SHEET

G

G

H

H

1 2 3 4 5 6 7