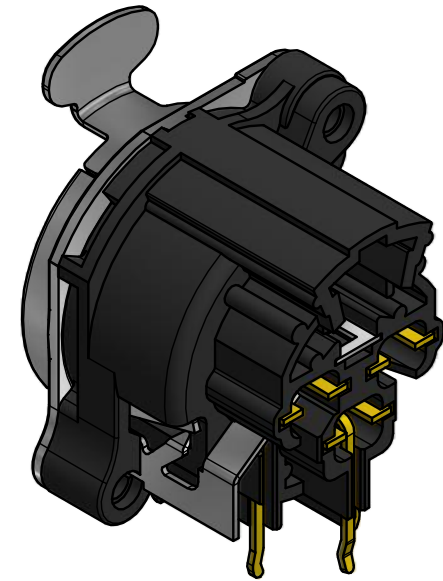
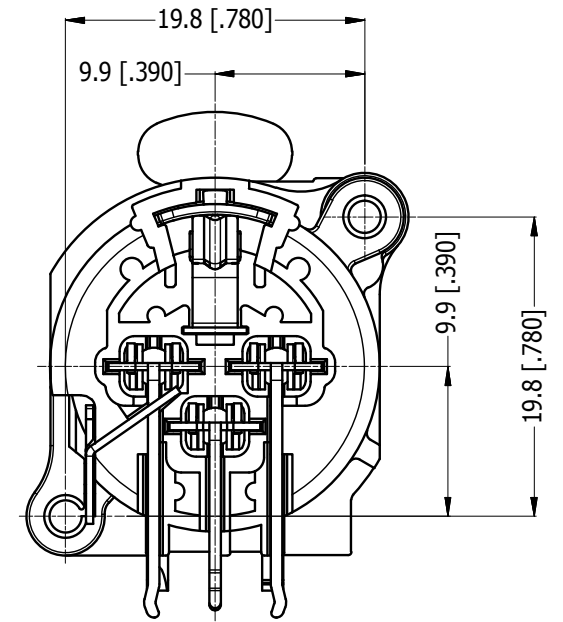
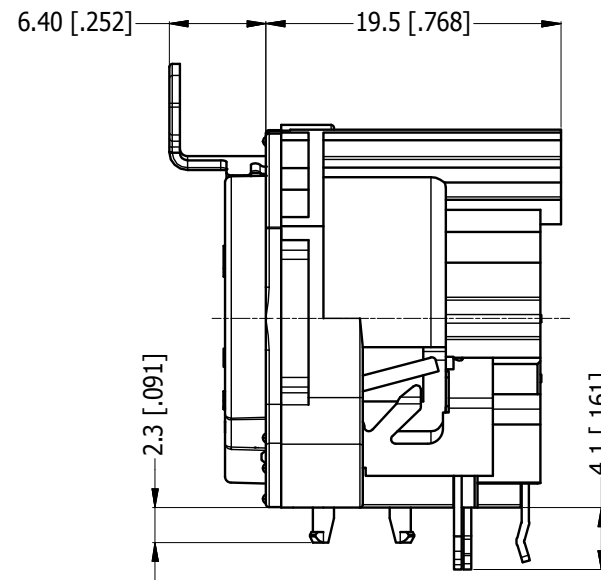
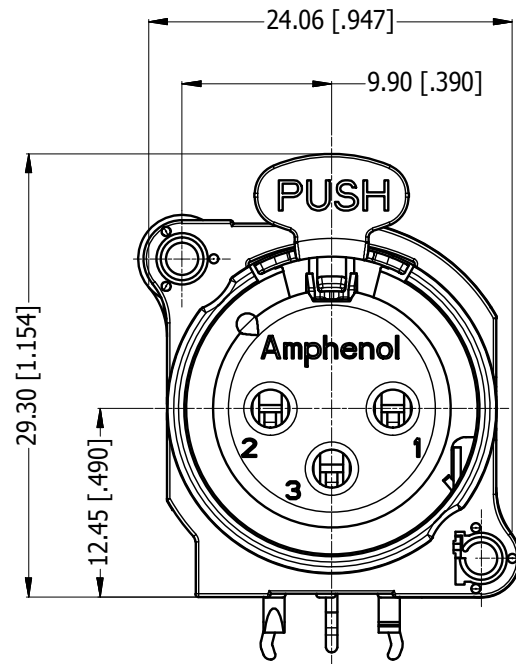
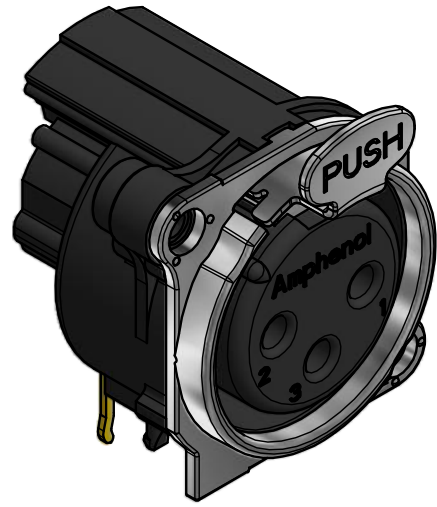
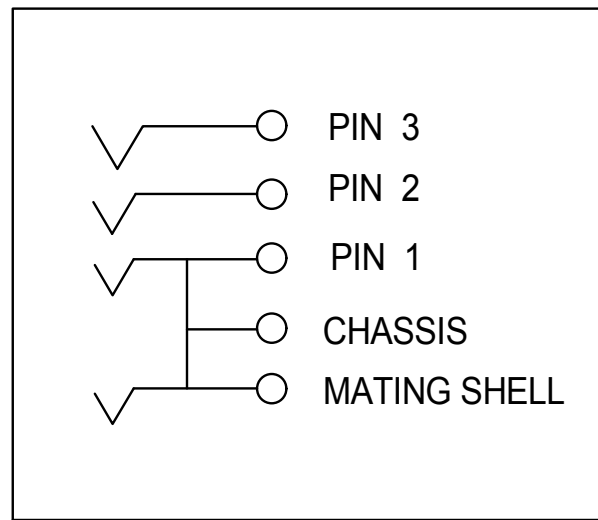


LEGEND = KEY PRODUCT CHARACTERISTICS

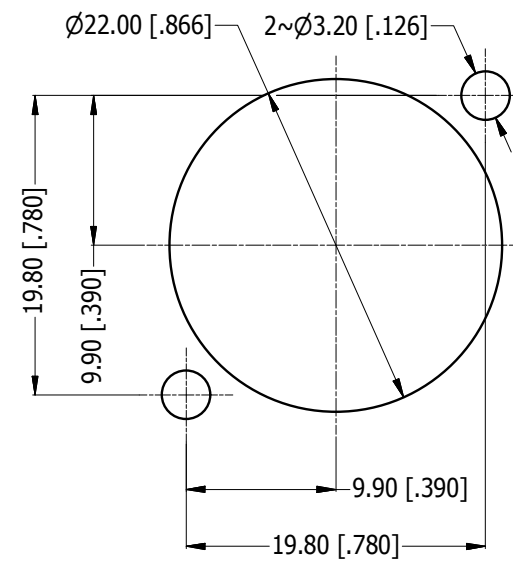
REVISION HISTORY				
REV	DESCRIPTION	DATE	BY	CHG/No
0	FIRST ISSUE	17-03-17	MH	----



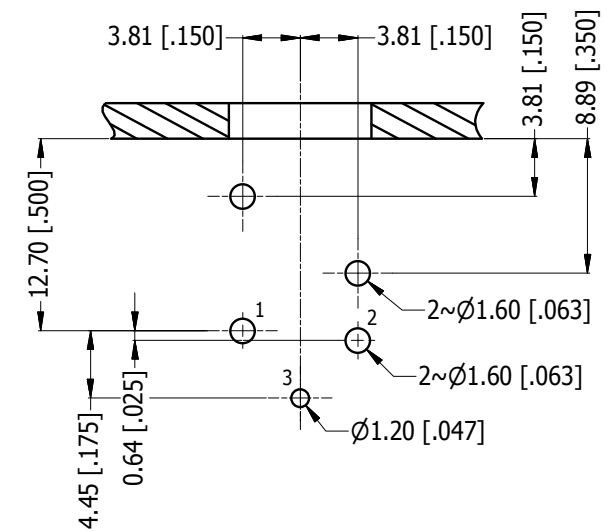
**ISO VIEW**



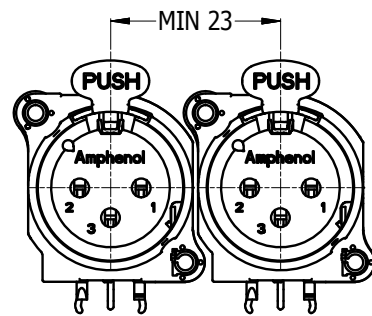
**SCHEMATIC CHART**



**PANEL CUT OUT  
REAR VIEW**



**PCB-LAYOUT  
COMPONENT SIDE  
TOLERANCE: ± 0.05mm [.002"]**



**MIN MOUNTING PITCH  
SCALE 1:1**

UNLESS OTHERWISE SPECIFIED TOLERANCE TO BE		THIS DOCUMENT IS THE PROPERTY OF AMPHENOL AUSTRALIA PTY. LTD. NO PART THEREOF MAY BE REPRODUCED AND USED WITHOUT THE PRIOR WRITTEN CONSENT OF THE OWNER				<b>Amphenol</b> Amphenol Australia Pty.Ltd, 22 Industry Blvd, Carrum Downs, VIC 3201	
LINEAR		ANGULAR		MATERIAL: REFER TO COMPONENT	DRN: MH	DATE: 17-03-17	TITLE: AC3FBH1-AU-PRE HORIZONTAL FEMALE CUSTOMER DRAWING
X ± 0.5	X' ± 1	X.X' ± 30'		CKD: M.H	DATE: 17-03-17	PART No: AC3FBH1-AU-PRE	
X.XX ± 0.2	X.X' ± 15'	X.XXX ± 15'		APP'D: P.M	DATE: 17-03-17	DRAWING NO. 55011222-000-2	SHEET 2/2
DO NOT SCALE		FINISH: REFER TO COMPONENT		SCALE: 2:1	SIZE: A3	CAD FILE 55011222000220	
DIMENSIONS IN MILLIMETRES		THIRD ANGLE PROJECTION					