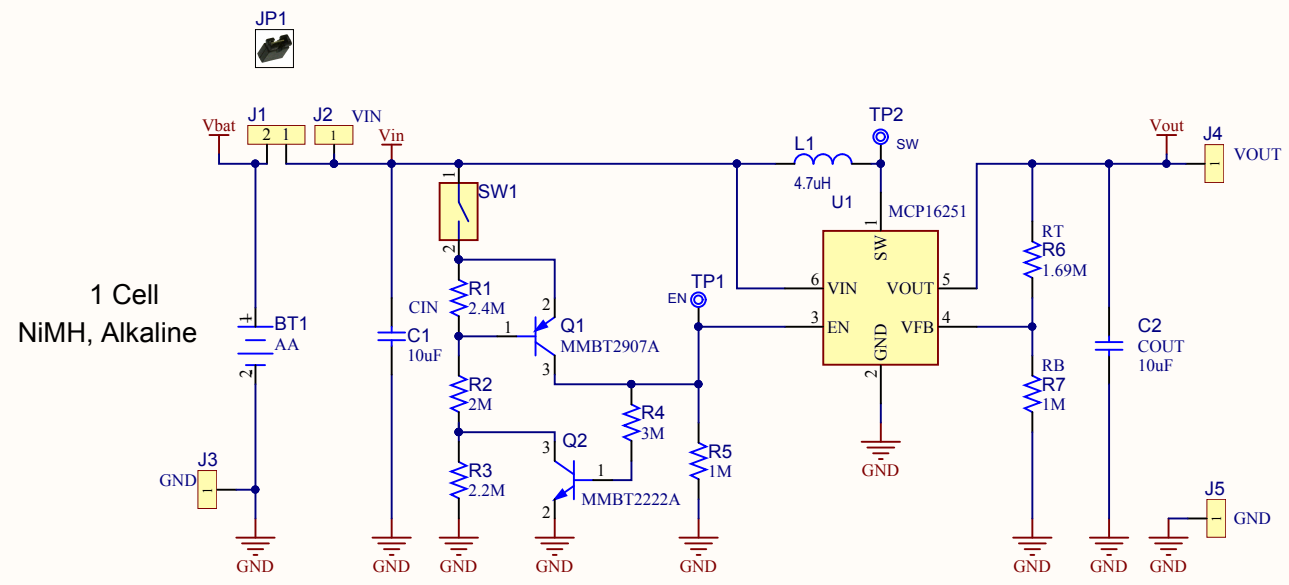




| REV | ECO# | DESCRIPTION | DATE |
|-----|------|-------------|------|
| | | | |



| | |
|---|---|
| Drawn By: Alexandr Cojocari |  |
| Engineer: Alexandr Cojocari | |
| PartNumber: ARD00797 | Project Title MCP16251 Single Cell Boost With Ext UVLO |
| Sheet Title MCP16251 UVLO Ref Des | |
| Size B | Sch #:03-10604 Date: 10/17/2016 3:17:51 PM Revision:1 Sheet 1 of 1 |
| File: MCP16251 UVLO Ref Des.SchDoc | |


 Designed with Altium.com