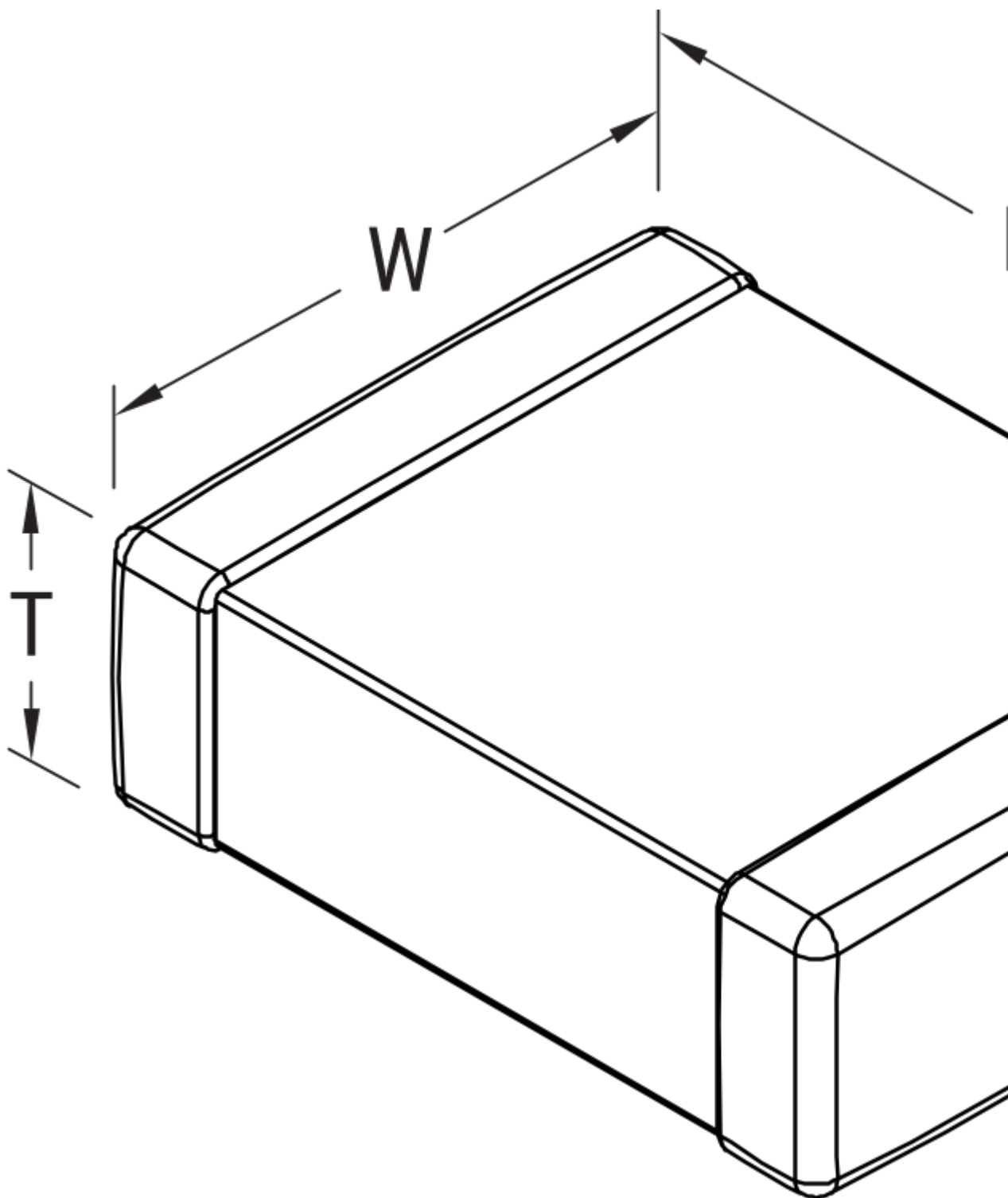


C1210C393JAGACAUTO

SMD Auto C0G, Ceramic, 0.039 μ F, 5%, 250 VDC, C0G, SMD, MLCC, Ultra-Stable, Low Loss, Automotive Grade, 1210



Click [here](#) for the 3D model.

Dimensions

Chip Size 1210

L 3.2mm +/-0.2mm

W 2.5mm +/-0.2mm

T 1.55mm +/-0.15mm

Dimensions

B 0.5mm +/-0.25mm

Packaging Specifications

Packaging T&R, 180mm, Plastic Tape

Packaging Quantity 2000

General Information

Series SMD Auto C0G

Style SMD Chip

Description SMD, MLCC, Ultra-Stable, Low Loss, Automotive Grade

Features Ultra-Stable, Low Loss, Automotive Grade

RoHS Yes

Termination Tin

Marking No

Qualifications AEC-Q200

AEC-Q200 Yes

Component Weight 52 mg

Shelf Life 78 Weeks

MSL 1

Specifications

Capacitance	0.039 uF
Measurement Condition	1 kHz 1.0Vrms
Capacitance Tolerance	5%
Voltage DC	250 VDC
Dielectric Withstanding Voltage	625 VDC
Temperature Range	-55/+125°C
Temperature Coefficient	C0G
Capacitance Change with Reference to +25°C and 0 VDC Applied (TCC)	30 ppm/C, 1kHz 1.0Vrms
Dissipation Factor	0.1% 1 kHz 1.0Vrms
Aging Rate	0% Loss/Decade Hour
Insulation Resistance	25.641 GOhms

Statements of suitability for certain applications are based on our knowledge of typical operating conditions for such applications, but are not intended to constitute - and we specifically disclaim - any warranty concerning suitability for a specific customer application or use. This Information is intended for use only by customers who have the requisite experience and capability to determine the correct products for their application. Any technical advice inferred from this Information or otherwise provided by us with reference to the use of our products is given gratis, and we assume no obligation or liability for the advice given or results obtained.

Generated 5/18/2023 - 3f3e87b3-6cc3-40a9-819d-370209f51779

© 2006 - 2023 KEMET

Generated 5/18/2023 - 3f3e87b3-6cc3-40a9-819d-370209f51779

© 2006 - 2023 KEMET