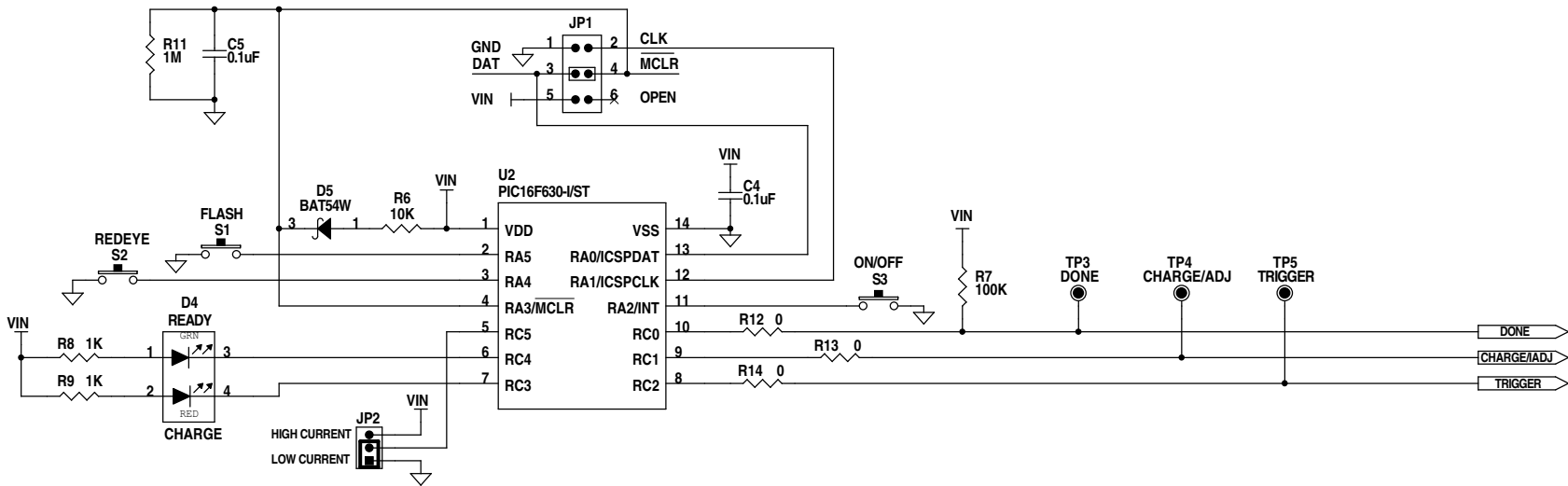
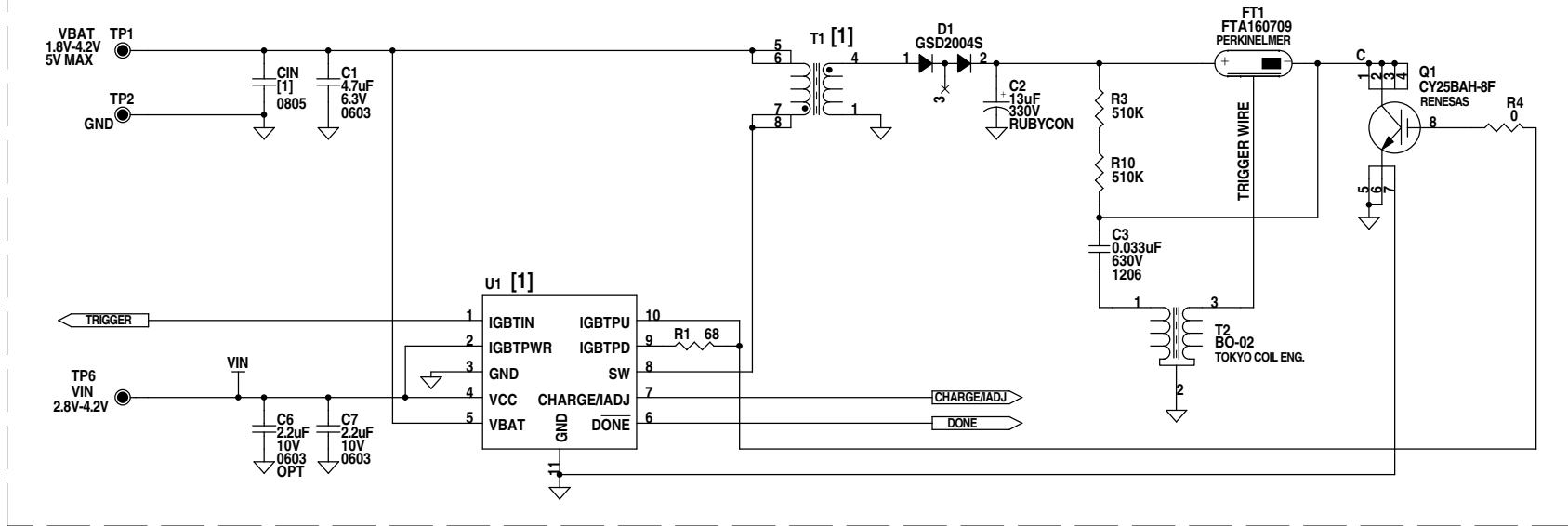


**WARNING! SHOCK HAZARD  
DO NOT REMOVE COVER**



**FOR ASSEMBLY**

| [1] | VERSION | U1           | CIN                          | T1             |
|-----|---------|--------------|------------------------------|----------------|
|     | -A      | LT3585EDDB-0 | CAP, 0805 10uF 20% 6.3V X5R  | LDT565630T-001 |
|     | -B      | LT3585EDDB-1 | CAP, 0805 4.7uF 10% 6.3V X5R | LDT565630T-002 |
|     | -C      | LT3585EDDB-2 | CAP, 0805 10uF 20% 6.3V X5R  | LDT565630T-003 |
|     | -D      | LT3585EDDB-3 | CAP, 0805 22uF 20% 6.3V X5R  | LDT565630T-041 |

**CUSTOMER NOTICE**

LINEAR TECHNOLOGY HAS MADE A BEST EFFORT TO DESIGN A CIRCUIT THAT MEETS CUSTOMER-SUPPLIED SPECIFICATIONS; HOWEVER, IT REMAINS THE CUSTOMER'S RESPONSIBILITY TO VERIFY PROPER AND RELIABLE OPERATION IN THE ACTUAL APPLICATION. COMPONENT SUBSTITUTION AND PRINTED CIRCUIT BOARD LAYOUT MAY SIGNIFICANTLY AFFECT CIRCUIT PERFORMANCE OR RELIABILITY. CONTACT LINEAR TECHNOLOGY APPLICATIONS ENGINEERING FOR ASSISTANCE.

THIS CIRCUIT IS PROPRIETARY TO LINEAR TECHNOLOGY AND SUPPLIED FOR USE WITH LINEAR TECHNOLOGY PARTS.

CONTRACT NO.

APPROVALS

DRAWN: KIM T.

CHECKED:

APPROVED:

ENGINEER: DAVID NG

DESIGNER:



1630 McCarthy Blvd.  
Milpitas, CA 95035  
Phone: (408)432-1900  
Fax: (408)434-0507  
LTC Confidential-For Customer Use Only

TITLE: SCHEMATIC  
PHOTOFLASH CHARGER WITH ADJUSTABLE INPUT CURRENT AND IGBT DRIVER

SIZE: A  
DWG NO.: DC988A-1 \* LT3585EDDB-0/-1/-2/-3  
REV: A-1

DATE: Tuesday, August 01, 2006  
SHEET 1 OF 1