

Type PMA-DB-05-Q1R (formerly PDA-01)
Panel Mount Fuse Holder
1/4" x 1 1/4" (6.3 x 30mm) Fuses
Driver / Bayonet



www.optifuse.com

(619) 593-5050

Electrical Rating: 15A, 250V AC

Fuse Style: 1/4" x 1 1/4" (6.3 x 32mm)

Material:

Frame and Cap: PBT (UL flame: 94V-0)

Terminals: Tin-plated brass

Cap: Slotted Driver type, Bayonet type

Mounting: by nut

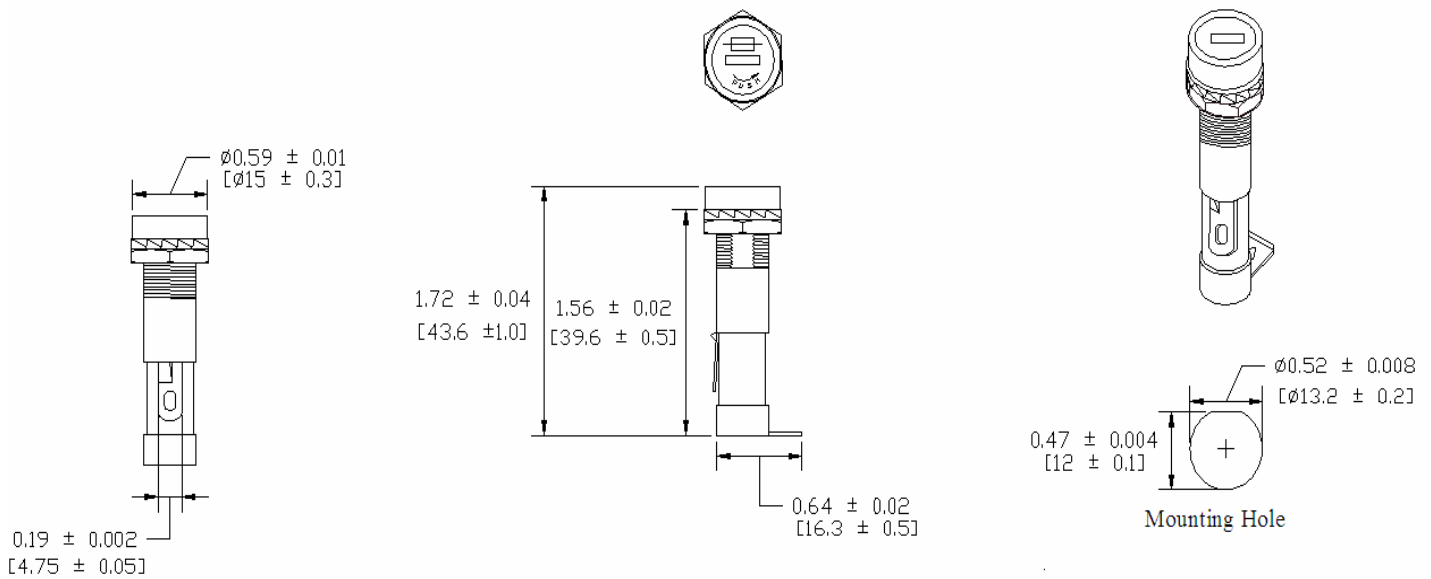
Terminal: Solder/Quick-Connect – 4.8mm/0.187"


Panel Thickness: 0.5 ~ 4.5mm

Agency Standards and Listings:



Product Dimensions: Inches [mm]



<p>Warning:</p> 	<ul style="list-style-type: none"> -Operation beyond the specified maximum ratings or improper use may result in damage and possible electrical arcing and/or flame. -Fuse Holders are not intended for circuit disconnect. All power should be disconnected before removing fuse. -Avoid contact of Fuse Holder with chemical solvent. Prolonged contact may damage the device performance.
--	---