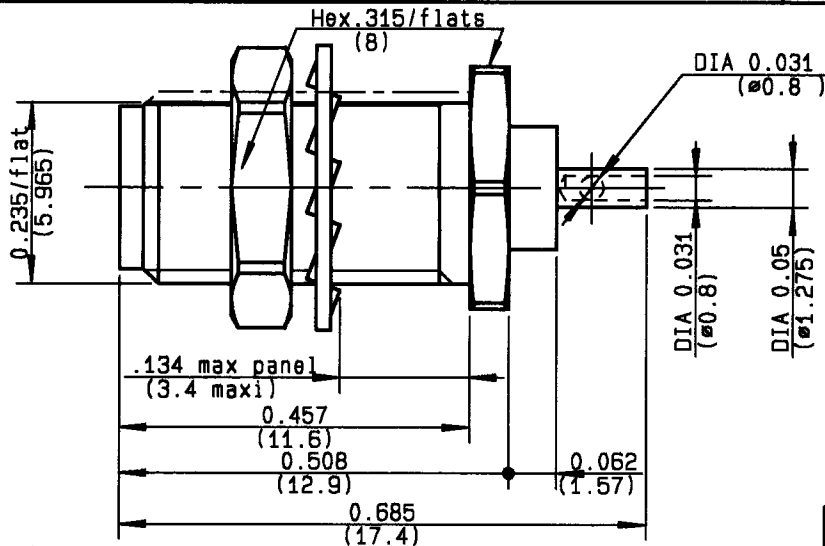
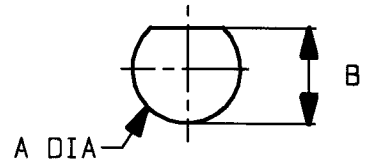


BULKEAD RECEPTACLE REAR MOUNTING



PERCAGE PANNEAU
MOUNTING HOLE



	MM		INCH	
	maxi	mini	maxi	mini
A	6.5	6.4	0.256	0.25
B	6.14	6	0.242	0.236

CABLES : -

CHARACTERISTICS

NOMINAL IMPEDANCE	50	Ω
FREQUENCY RANGE	NA	GHz
TEMPERATURE RATING	-65/+165	°C
VSWR	NA +	0 x F(GHz)Max1
RF INSERTION LOSS	NA	√F(GHz) dB Max1
VOLTAGE RATING	335	V _{rms} Max
DIELECTRIC WITHSTANDING VOLTAGE	1000	V _{rms} min
INSULATION RESISTANCE	5000	MΩ min
HERMETIC SEAL	-	cc/s
	NA	Atm.cm3/s
LEAKAGE (pressurized only)	-	psi
	NA	MPa
WEIGHT	0	Oz
	-	g

STANDARDISATION

CABLE RETENTION

CENTER CONTACT RETENTION

Axial force - mating end	6.06 ²⁷	lb min
		N
Axial force - opposite end	6.06 ²⁷	lb min
		N
Torque (Min)	3.96 ^{2.8}	Inch.oz
		cm.N

RECOMMENDED TORQUES

Mating	0	inch.lb
	NA	cm.N
Panel nut	13.27 ¹⁵⁰	inch.lb
		cm.N
Clamp nut	0	inch.lb
	NA	cm.N

CONSTRUCTION

CONNECTOR PARTS	MATERIALS	FINISH
BODY	STAINLESS STEEL	PASSIVATED
OUTER CONTACT	STAINLESS STEEL	PASSIVATED
CENTER CONTACT	BERYLLIUM COPPER	GOLD OVER NICKEL
INSULATOR	PTFE	-
-	-	-
-	-	-
-	-	-
-	-	-
-	-	-

ISSUE	REVISION No	DESCRIPTION	BY	DATE
-	-	-	-	-
9519	12-05-95	Change rear of c. contact	TRIGUES	12-05-95
9504	94.12.018	Epoxy resin version -> Indent version	BERTHET	25-01-95

Initiated on 01/09/88

The information given here is subject to change without notice. Design changes may be in order to improve the product.



Approval by leleu