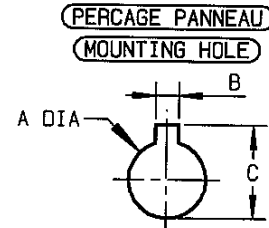
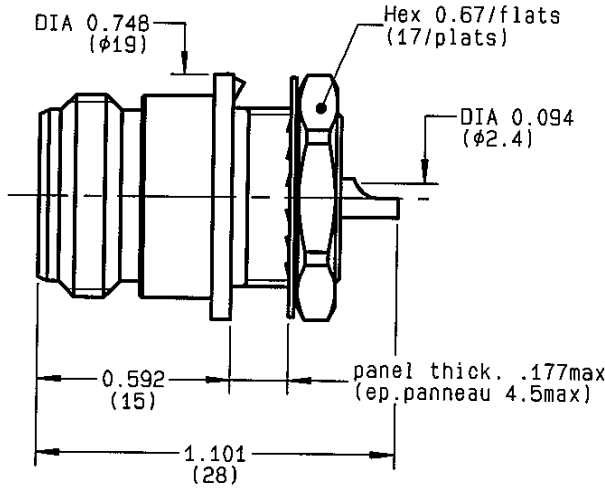


**BULKHEAD JACK RECEPTACLE FRONT MOUNTING
WITH SOLDER POT CONTACT**

R161.570.000
SERIES **N**



	MM		INCH	
	maxi	mini	maxi	mini
A	14.3	14.1	0.563	0.56
B	2.3	2.2	0.091	0.087
C	17	16.8	0.669	0.661

NOMINAL IMPEDANCE	50 Ω
FREQUENCY RANGE	0-11 GHz
TEMPERATURE RATING	-55/+155 °C
V.S.W.R	1.30 + x F(GHz)Maxi
RF INSERTION LOSS	0.048 √F(GHz) dB Maxi
VOLTAGE RATING	1400 Veff Maxi
DIELECTRIC WITHSTANDING VOLTAGE	2500 Veff Mini
INSULATION RESISTANCE	5000 M ΩMini
HERMETIC SEAL	NA Atm.cm ³ /s
LEAKAGE (pressurized only)	NA
MECHANICAL DURABILITY	500 Cycles
WEIGHT	25.5 gr
SPECIFICATION	

CABLES :

OTHERS CHARACTERISTICS

CABLE RETENTION	NA	N Mini
CENTER CONTACT RETENTION		
Axial force - mating end	27	N Mini
Axial force - opposite end	27	N Mini
Torque	NA	cm.N Mini
RECOMMENDED TORQUES		
Mating	NA	cm.N
Panel nut	250	cm.N
Clamp nut	NA	cm.N

CONNECTOR PARTS:	MATERIALS	FINISH	(all values are given in micrometers)
BODY	BRASS	BBR 2	
OUTER CONTACT	BRASS	BBR 2	
CENTER CONTACT	BERYLLIUM COPPER	GOLD 0.5 OVER NICKEL 2	
INSULATOR	PTFE	-	
GASKET		-	
OTHERS PIECES	BRASS	BBR 2	

ISSUE
0516 N

CREATION DATE
24/03/1993

FILE PART-NUMBER



RADIALL®

The information given here is subject to change without notice.
Design changes may be in order to improve the product .

Connect to the future

BONOMINI