

## RF CHARACTERISTICS

Frequency range : **0 - 3 GHz**  
 Impedance : **50 Ohms**

| Frequency (GHz)    | DC - 3         |
|--------------------|----------------|
| VSWR max           | <b>1.20</b>    |
| Insertion loss max | <b>0.20 dB</b> |
| Isolation min      | <b>80 dB</b>   |
| Average power (*)  | <b>240 W</b>   |

## ELECTRICAL CHARACTERISTICS

Actuator : **LATCHING**  
 Nominal current \*\* : **160 mA**  
 Actuator voltage (Vcc) : **28V (24 to 30V)**  
 Terminals : **solder pins (250°C max. / 30 sec.)**  
 Indicator rating : **1 W / 30 V / 100 mA**  
 TTL inputs (E) - High level : **2.2 to 5.5 V / 800µA at 5.5 V**  
 - Low level : **0 to 0.8 V / 20µA at 0.8 V**

## MECHANICAL CHARACTERISTICS

Connectors : **SMA female per MIL-C 39012**  
 Life : **2 million cycles**  
 Switching Time\*\*\* : **< 10 ms**  
 Construction : **Splashproof**  
 Weight : **< 100 g**

## ENVIRONMENTAL CHARACTERISTICS

Operating temperature range : **-40°C to +85°C**  
 Storage temperature range : **-55°C to +85°C**

(\* Average power at 25°C per RF Path)

(\*\* At 25° C ±10%)

(\*\*\* Nominal voltage ; 25° C)



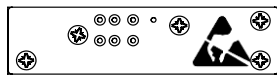
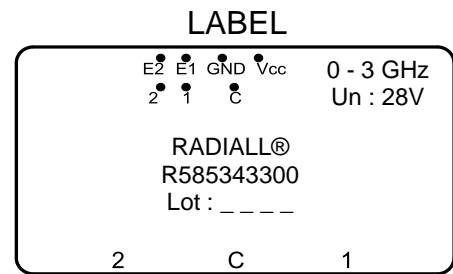
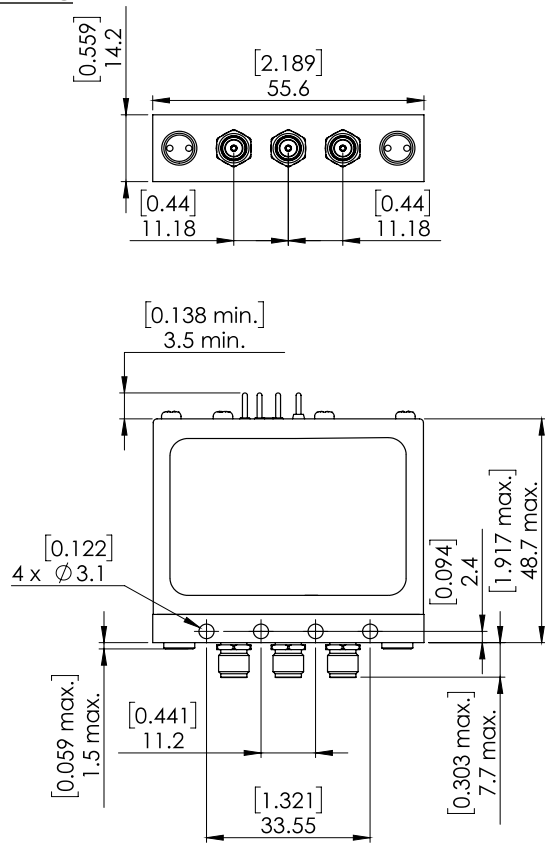
PAGE 2/2

ISSUE 09-03-21

SERIE : SPDT ZC

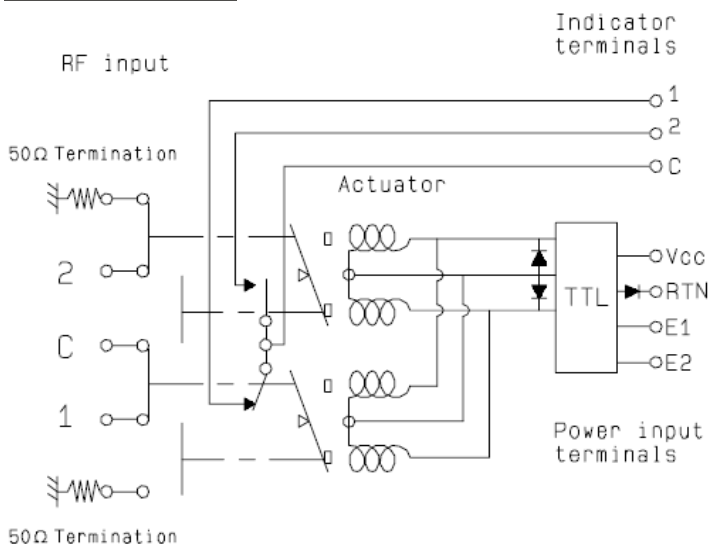
PART NUMBER : R585343300

**DRAWING**



General tolerances : ±0,5 mm [0,02 in]

**SCHEMATIC DIAGRAM**



| TTL input   | RF Continuity | Ind.  |
|-------------|---------------|-------|
| E1=1 / E2=0 | C↔1 / 2↔50Ω   | C . 1 |
| E1=0 / E2=1 | C↔2 / 1↔50Ω   | C . 2 |
| E1=0 / E2=0 | Memory        | -     |
| E1=1 / E2=1 | Forbidden     | -     |