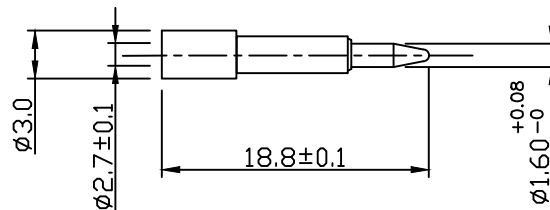
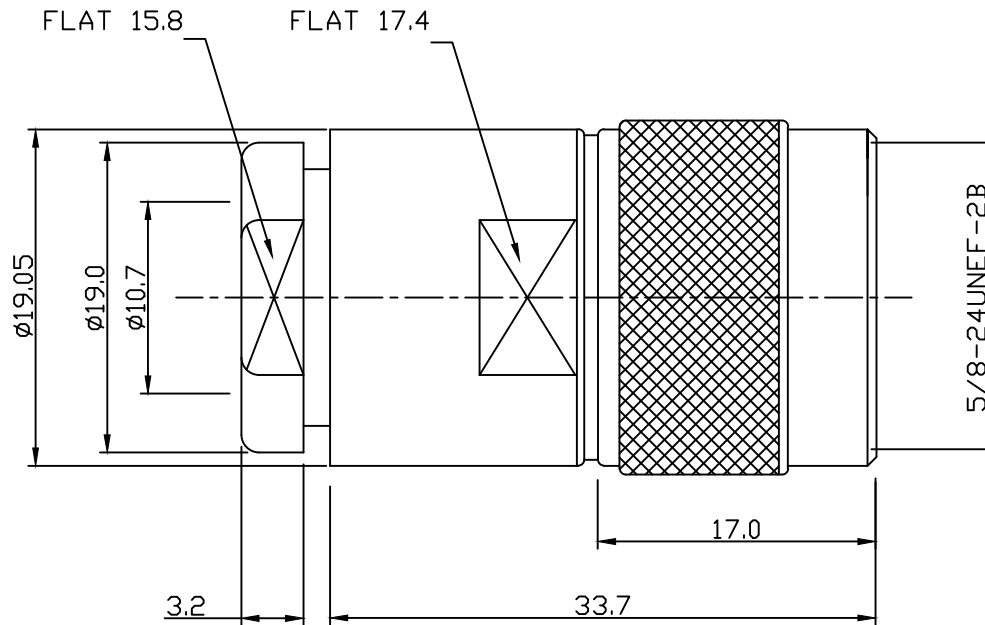


RoHS COMPLIANT



For stripping and assembly instructions see Drawing Number: VAIN1201

**Electrical Characteristics**

Nominal Impedance:	50 ohms
Frequency Range:	DC to 11 GHz
VSWR:	1.35:1 maximum
Insertion Loss:	0.17 dB max
Operating Voltage (rms):	1500 V maximum at sea level
Dielectric Withstand Voltage (rms):	2500 V maximum at sea level
Contact Resistance:	1.0 milliohms maximum
Insulation Resistance:	5000 megohms minimum

**Mechanical Characteristics**

Mating Cycles:	500 cycles minimum
Interface Dimensions:	Conform to MIL-C-39012

**Environmental Characteristics**

Temperature Range:	-55 °C to +85 °C
--------------------	------------------

PART	DESCRIPTION
1	Body Brass, Nickel Plated
2	Pin Brass, Gold Plated
3	Insulator Teflon, White
4	Insulator Teflon, White
5	Gasket Silicon Rubber
6	Clamp Brass, Nickel Plated
7	Back Nut Brass, Nickel Plated
8	Washer Brass, Nickel Plated

Updated Dimensions - D17461	MS	6	23 Mar 21
Updated Dimensions	JT	5	04 Mar 10
Updated Dimensions	AT	4	25 Aug 06
CAD Issue	SN	3	25 Nov 02
Modified body shorter	AT	2	08 Jun 94
First Issue	AT	1	01 Feb 89
DESCRIPTION OF REVISION	APPVD	ISS	DATE



CINCH CONNECTIVITY SOLUTIONS  
11 Bilton Road,  
Chelmsford, Essex,  
CM1 2UP, UK.  
Tel: +44 (0) 1245 359515  
Fax: +44 (0) 1245 358938

SCALE: Not To Scale

DIMENSIONS: mm

TOLERANCES:  
± 0.2mm unless  
otherwise stated

DRAWN BY:

S Nash

CHECKED BY:

P Couzens

APPROVED BY:

P Couzens

DATE:

25 Nov 02

TITLE:

N Clamp Plug for RG213

PART NUMBER:

**VNS10-2020**

PAGE: 1 of 1