

NO. OF CIRCUITS	PART NUMBER	ENGINEERING NUMBER	COLOR	DIM. "A"	DIM. "B"	DIM. "C"
				mm	mm	mm
2	397183002	M750B-23-2-02-1	BLACK	20.28	5.08	15.48
3	397183003	M750B-23-2-03-1	BLACK	25.35	10.16	20.56
4	397183004	M750B-23-2-04-1	BLACK	30.44	15.24	25.64
5	397183005	M750B-23-2-05-1	BLACK	35.52	20.32	30.72
6	397183006	M750B-23-2-06-1	BLACK	40.60	25.40	35.80
7	397183007	M750B-23-2-07-1	BLACK	45.68	30.48	40.88
8	397183008	M750B-23-2-08-1	BLACK	50.76	35.56	45.96
9	397183009	M750B-23-2-09-1	BLACK	55.84	40.64	51.04
10	397183010	M750B-23-2-10-1	BLACK	60.92	45.72	56.12
11	397183011	M750B-23-2-11-1	BLACK	66.00	50.80	61.20
12	397183012	M750B-23-2-12-1	BLACK	71.08	55.88	66.28

SPECIFICATIONS

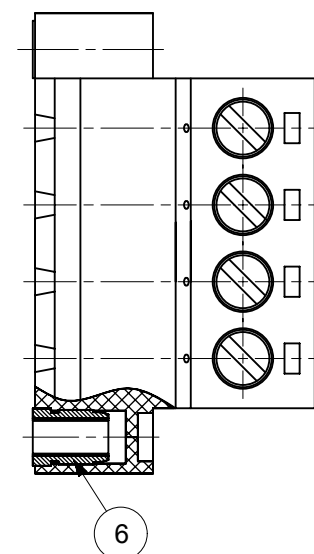
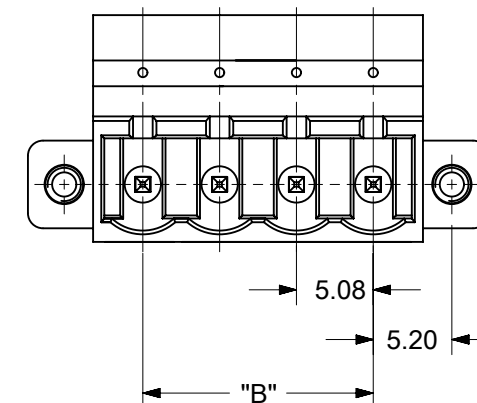
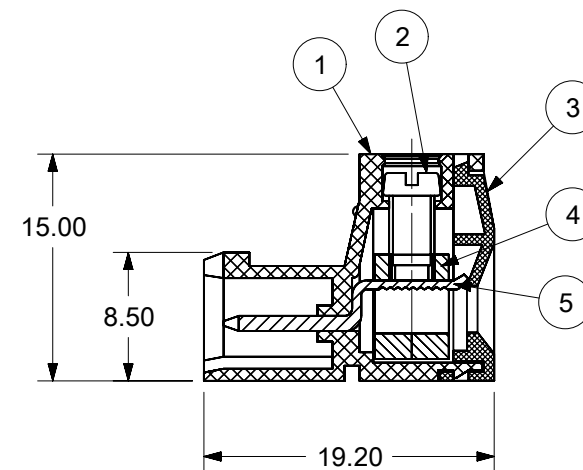
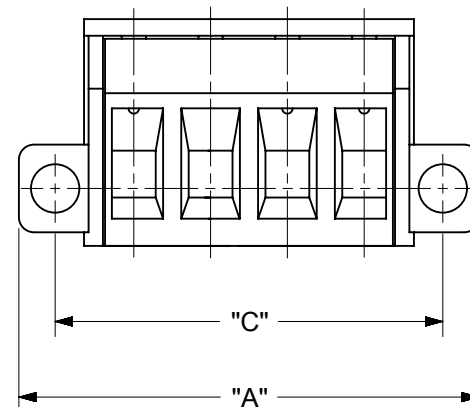
1. MATERIALS

- 1. BODY: PA66 UL94-V0
- 2. SCREW: M3.0 ZINC PLATED STEEL
- 3. COVER: PA66 UL94-V0
- 4. CAGE: NICKEL PLATED BRASS
- 5. TERMINAL: TIN PLATED BRASS
- 6. MATING THREADS: NICKEL PLATED BRASS

2. ELECTRICAL RATINGS

- MAXIMUM VOLTAGE: 300V
- MAXIMUM AMPERAGE: 18A
- INSULATION RESISTANCE: DC500V, 500M
- DIELECTRIC WITHSTAND: AC2500V FOR 1 MIN.
- IMPACT WITHSTAND VOLTAGE: 4000V

3. OPERATING TEMPERATURE: -40°C TO +105°C



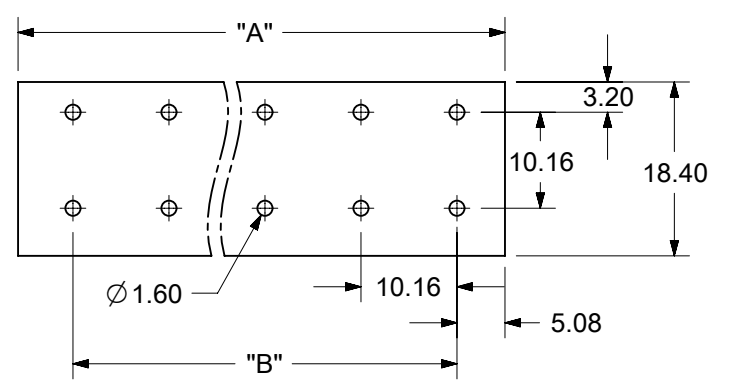
TOLERANCES			
MM	TOL	INCH	TOL
0-6	±0.25	0-.24	±.010
>6-30	±0.40	.24-1.18	±.016
>30-120	±0.50	1.18-4.76	±.020
>120	±0.80	>4.76	±.031

FUNCTIONAL SYMBOLS		THIS DRAWING CONTAINS INFORMATION THAT IS PROPRIETARY TO MOLEX ELECTRONIC TECHNOLOGIES, LLC AND SHOULD NOT BE USED WITHOUT WRITTEN PERMISSION		CURRENT REV DESC: INITIAL RELEASE	
∇/A = 0	DIMENSION UNITS	SCALE	CURRENT REV DESC: INITIAL RELEASE		
∇/E = 0	mm	2:1	CURRENT REV DESC: INITIAL RELEASE		
∇/F = 0	GENERAL TOLERANCES (UNLESS SPECIFIED)		CURRENT REV DESC: INITIAL RELEASE		
	ANGULAR TOL ± ---		CURRENT REV DESC: INITIAL RELEASE		
	4 PLACES ± ---		CURRENT REV DESC: INITIAL RELEASE		
	3 PLACES ± ---		CURRENT REV DESC: INITIAL RELEASE		
	2 PLACES ± SEE CHART		CURRENT REV DESC: INITIAL RELEASE		
	1 PLACE ± SEE CHART		CURRENT REV DESC: INITIAL RELEASE		
	0 PLACES ± ---		CURRENT REV DESC: INITIAL RELEASE		
DIVISIONAL SYMBOLS		DRAFT WHERE APPLICABLE MUST REMAIN WITHIN DIMENSIONS		THIRD ANGLE PROJECTION	
				DRAWING SERIES	
				B-SIZE 39718	
				MATERIAL NUMBER CUSTOMER	
				SEE CHART GENERAL MARKET	
				SHEET NUMBER	
				1 OF 1	

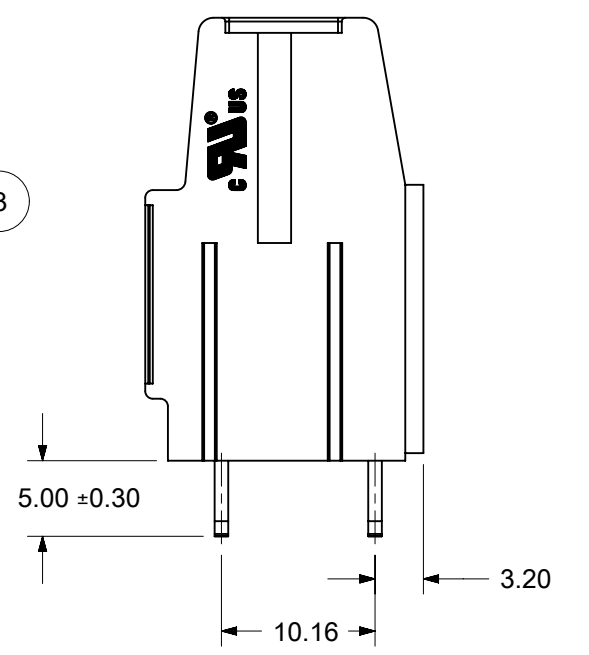
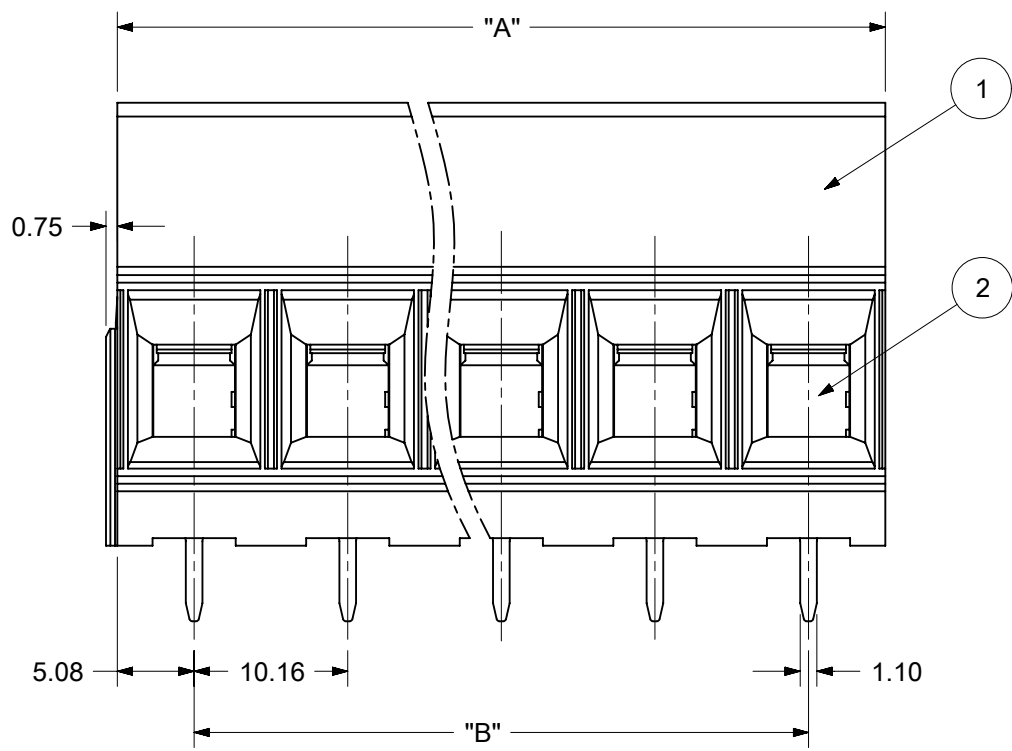
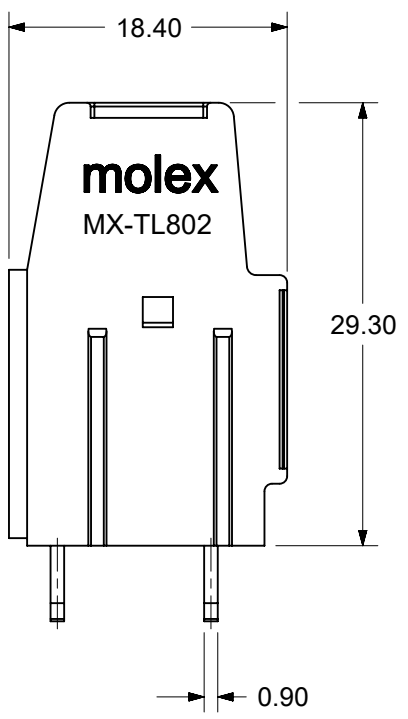
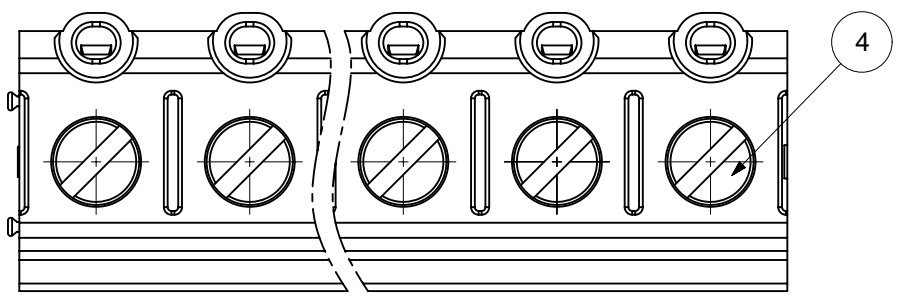
NO. OF CIRCUITS	PART NO.	ENGINEERING NO.	COLOR	DIM "A"	DIM "B"
				MM	MM
2	399701002	MX-TL802-02P-G12S	GREEN	20.32	10.16
3	399701003	MX-TL802-03P-G12S	GREEN	30.48	20.32
4	399701004	MX-TL802-04P-G12S	GREEN	40.64	30.48
5	399701005	MX-TL802-05P-G12S	GREEN	50.80	40.64
6	399701006	MX-TL802-06P-G12S	GREEN	60.96	50.80
7	399701007	MX-TL802-07P-G12S	GREEN	71.12	60.96
8	399701008	MX-TL802-08P-G12S	GREEN	81.28	71.12
9	399701009	MX-TL802-09P-G12S	GREEN	91.44	81.28
10	399701010	MX-TL802-10P-G12S	GREEN	101.60	91.44
11	399701011	MX-TL802-11P-G12S	GREEN	111.76	101.60
12	399701012	MX-TL802-12P-G12S	GREEN	121.92	111.76

MATERIALS	
1. HOUSING	PA66 UL94 V-0
2. RISING CAGE CLAMP	NICKEL PLATED BRASS
3. TERMINAL	TIN PLATED COPPER ALLOY
4. M4 SCREW	ZINC PLATED STEEL

ELECTRICAL , MECHANICAL AND THERMAL RATINGS	
MAXIMUM VOLTAGE	300V (PER UL GROUP B & C)
	600V (PER UL GROUP D)
MAXIMUM CURRENT	65A (PER UL GROUP B & C)
	5A (PER UL GROUP D)
WIRE RANGE	6-20 AWG (SOLID OR STRANDED)
INSULATION RESISTANCE	500MΩ OR MORE AT 500V DC
WITHSTAND VOLTAGE	4200V PER 1 MINUTE
SCREW TORQUE	1.81Nm (16 IN-LBS)
WIRE STRIP LENGTH	10.0mm
OPERATING TEMPERATURE	-40°C TO +105°C



PC BOARD LAYOUT (SCALE 1.25:1)



Total Pitch Tolerances in mm									Nominal dimension range in mm									
over	over	over	over	over	over	over	over	over	over	over	over	over	over	over	over	over	over	over
0	30	53	70	90	115	150	200	250	0	30	53	70	90	115	150	200	250	
to	to	to	to	to	to	to	to	to	to	to	to	to	to	to	to	to	to	
30	53	70	90	115	150	200	250	320	30	53	70	90	115	150	200	250	320	
±0.20	±0.25	±0.30	±0.35	±0.44	±0.55	±0.70	±0.85	±1.00	±0.25	±0.30	±0.35	±0.44	±0.55	±0.70	±0.80	±0.90	±1.20	

THIS DRAWING CONTAINS INFORMATION THAT IS PROPRIETARY TO MOLEX ELECTRONIC TECHNOLOGIES, LLC AND SHOULD NOT BE USED WITHOUT WRITTEN PERMISSION											
FUNCTIONAL SYMBOLS	DIMENSION UNITS	SCALE	CURRENT REV DESC: INITIAL RELEASE								
$\sqrt{A} = 0$	mm	2:1	<p>molex</p> <p>10.16MM HORIZONTAL TERMINAL BLOCK, MODULAR</p> <p>PRODUCT CUSTOMER DRAWING</p> <p>DOCUMENT NUMBER: 399701002 DOC TYPE: PSD DOC PART: 000 REVISION: A</p> <p>EC NO: 665717 DRWN: ABENJAMINLW 2020/12/22</p> <p>CHK'D: DACHAMMER 2021/05/26</p> <p>APPR: JFMURPHY 2021/06/22</p> <p>INITIAL REVISION: DRWN: ABENJAMINLW 2020/12/22</p> <p>APPR: JFMURPHY 2021/06/22</p> <p>DRAFT WHERE APPLICABLE MUST REMAIN WITHIN DIMENSIONS</p> <p>THIRD ANGLE PROJECTION</p> <p>DRAWING: B-SIZE SERIES: 39970</p> <p>MATERIAL NUMBER: SEE CHART CUSTOMER: GENERAL MARKET SHEET NUMBER: 1 OF 1</p>								
$\sqrt{E} = 0$	GENERAL TOLERANCES (UNLESS SPECIFIED)										
$\sqrt{F} = 0$	ANGULAR TOL ± ---										
DIVISIONAL SYMBOLS	3 PLACES	± ---									
	2 PLACES	± SEE CHART									
	1 PLACE	± SEE CHART									
	0 PLACES	± ---									