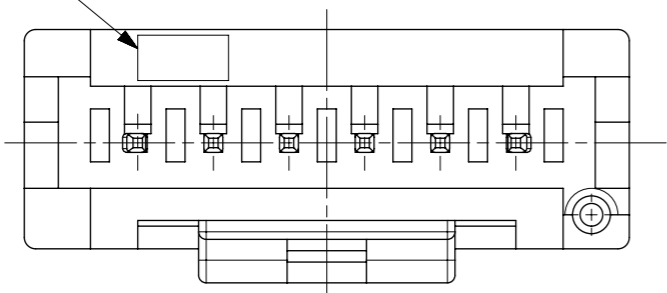


推奨基板寸法  
(t = 1.6)

NOTE

1. 嵌合相手: 51382 シリーズ  
MATE WITH : 51382 SERIES
  2. 偶数極 (列) に適用。  
APPLY EVEN CIRCUIT PRODUCTS.
  3. キングは両外側の位置に付加。  
KINK TO BE APPLIED BOTH ENDS.
  4. 材質     ハウジング : ポリエステル(PBT) UL94V-0  
MATERIALS HOUSING : POLYESTER(PBT) UL94V-0  
          ピン : 黄銅  
          PIN : BRASS
  5. めっき  
ピン : 錫めっき, リフロー処理 (前めっき) めっき厚 : 1.0µm MIN.  
          ニッケル下地めっき, めっき厚 : 0.5µm MIN.
- FINISHES  
PIN : PRE-TIN PLATED, (HEAT TREATED MATTE TIN)  
PLATING THICKNESS : 1.0µm MIN.  
NICKEL UNDERPLATE OVERALL  
PLATING THICKNESS : 0.5µm MIN.

トレードマーク  
TRADE MARK

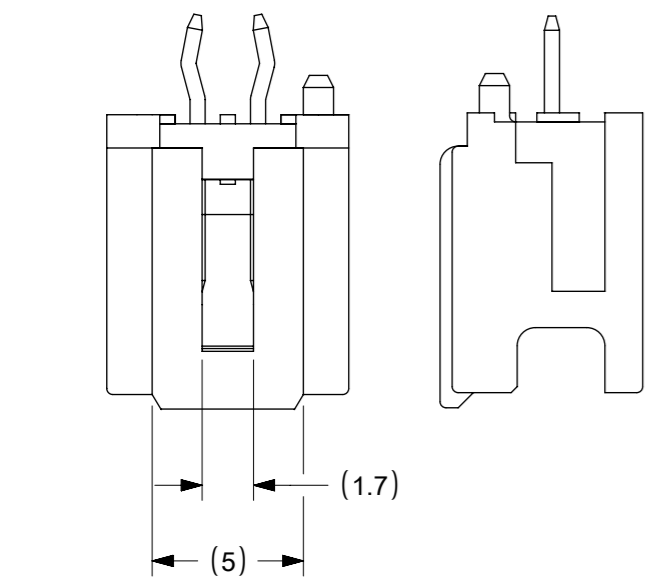


31	28	34	55932-15**	15
29	26	32	55932-14**	14
27	24	30	55932-13**	13
25	22	28	55932-12**	12
23	20	26	55932-11**	11
21	18	24	55932-10**	10
19	16	22	55932-09**	9
17	14	20	55932-08**	8
15	12	18	55932-07**	7
13	10	16	55932-06**	6
11	8	14	55932-05**	5
9	6	12	55932-04**	4
7	4	10	55932-03**	3
5	2	8	55932-02**	2
C	B	A	MATERIAL NO.	CKT.

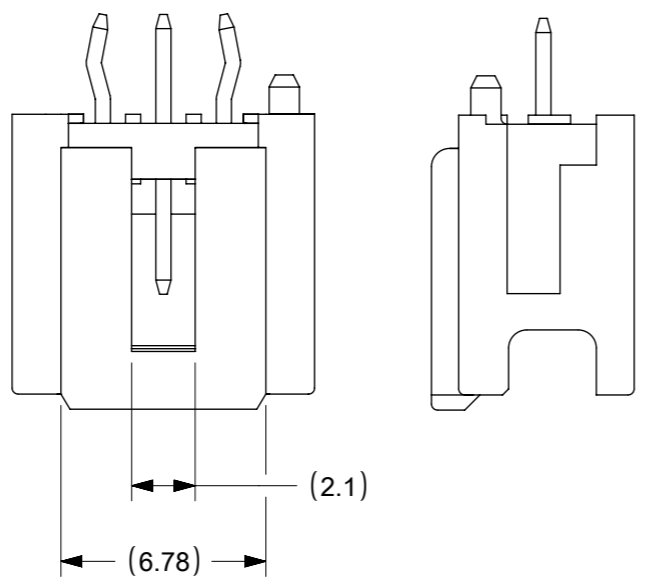
MODEL NO. : 55932 - \*\*\*\*

THIS DRAWING CONTAINS INFORMATION THAT IS PROPRIETARY TO MOLEX ELECTRONIC TECHNOLOGIES, LLC AND SHOULD NOT BE USED WITHOUT WRITTEN PERMISSION

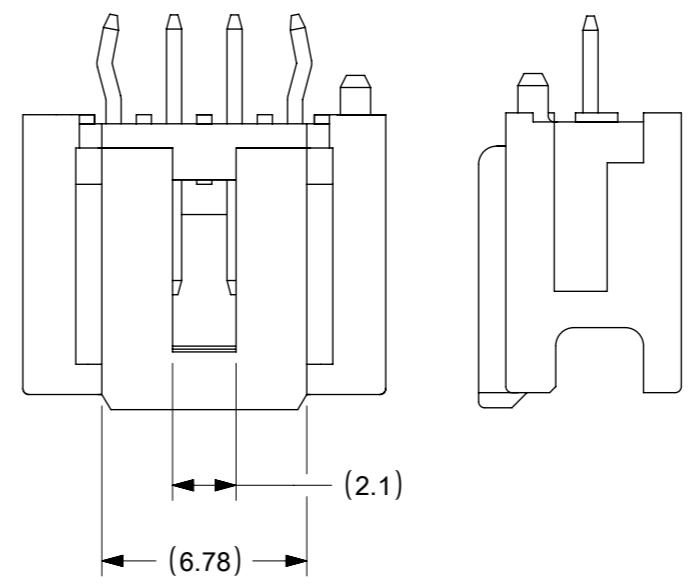
DIMENSION UNITS <b>mm</b>	SCALE <b>NTS</b>	CURRENT REV DESC: OBSOLETE PART NUMBERS AS PER PCN #512131	<b>molex</b>		
GENERAL TOLERANCES (UNLESS SPECIFIED)		EC NO: 727779			
ANGULAR TOL ± 3.0°	4 PLACES ±	DRWN: ANIKES1	PRODUCT CUSTOMER DRAWING		
3 PLACES ±	2 PLACES ± 0.2	CHK'D: GGA	DOCUMENT NUMBER		
1 PLACE ± 0.2	0 PLACES ± 0.2	APPR: GGA	DOC TYPE DOC PART REVISION		
DRAFT WHERE APPLICABLE MUST REMAIN WITHIN DIMENSIONS	THIRD ANGLE PROJECTION	INITIAL REVISION: DRWN: T.NIITSU	SD-55932-002		
	DRAWING	APPR: T.YAMAGUCHI	PSD 001 L2		
	SERIES	2002/02/08	MATERIAL NUMBER		
	55932	2003/06/12	CUSTOMER		
	A3-SIZE		GENERAL MARKET		
			SHEET NUMBER		
			1 OF 3		



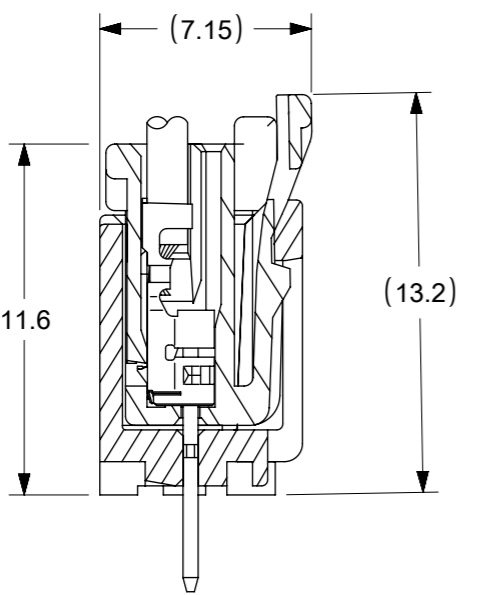
2 CIRCUIT



3 CIRCUIT



4 CIRCUIT 以上



嵌合断面図

△ 製品番号 MATERIAL NO.

55932 - \*\*\*\*

極数 CIRCUIT SIZE

色 COLOR

10	自然色 (白) NATURAL (WHITE)
11	黒 BLACK
12	赤 RED
13	黄 YELLOW
14	青 BLUE
15	桃 PINK
16	緑 GREEN
17	茶 BROWN
18	橙 ORANGE
43	蛍光黄 FLUORESCENCE YELLOW

THIS DRAWING CONTAINS INFORMATION THAT IS PROPRIETARY TO MOLEX ELECTRONIC TECHNOLOGIES, LLC AND SHOULD NOT BE USED WITHOUT WRITTEN PERMISSION

DIMENSION UNITS <b>mm</b>	SCALE <b>NTS</b>	CURRENT REV DESC: OBSOLETE PART NUMBERS AS PER PCN #512131	<b>molex</b>		
GENERAL TOLERANCES (UNLESS SPECIFIED)					
ANGULAR TOL ± 3.0 °	4 PLACES ±	EC NO: 727779	PRODUCT CUSTOMER DRAWING		
3 PLACES ±	2 PLACES ± 0.2	DRWN: ANIKES1 2022/10/17	DOCUMENT NUMBER	DOC TYPE	DOC PART
2 PLACES ± 0.2	1 PLACE ± 0.2	CHK'D: GGA 2022/11/29	<b>SD-55932-002</b>	PSD	001
0 PLACES ± 0.2		APPR: GGA 2022/11/29			
DRAFT WHERE APPLICABLE MUST REMAIN WITHIN DIMENSIONS	THIRD ANGLE PROJECTION	INITIAL REVISION: DRWN: T.NIITSU 2002/02/08 APPR: T.YAMAGUCHI 2003/06/12	MATERIAL NUMBER	CUSTOMER	SHEET NUMBER
			SEE TABLE	GENERAL MARKET	2 OF 3

F  
E  
D  
C  
B  
A

自然色 (白) NATURAL (WHITE)	黒 BLACK	赤 RED	黄 YELLOW	青 BLUE	桃 PINK	緑 GREEN	茶 BROWN	オレンジ ORANGE	蛍光黄 FLUORESCENCE YELLOW
559321510	559321511	---	---	---	---	---	---	---	---
559321410	---	---	---	---	---	---	---	---	---
559321310	---	---	---	---	---	---	---	---	---
559321210	---	---	---	---	---	---	---	---	---
559321110	---	---	---	---	---	---	---	---	---
559321010	---	---	---	---	---	---	---	---	---
559320910	---	---	---	---	---	---	---	---	---
559320810	---	---	---	---	---	---	---	---	---
559320710	559320711	---	---	---	---	---	---	---	---
559320610	---	---	---	---	---	---	---	---	---
559320510	559320511	---	---	---	---	---	---	---	---
559320410	559320411	---	---	---	---	---	---	---	---
559320310	559320311	559320312	559320313	559320314	---	559320316	559320317	559320318	---
559320210	559320211	---	---	559320214	559320215	---	---	559320218	559320243
R MATERIAL NO.	R MATERIAL NO.	R MATERIAL NO.	R MATERIAL NO.	R MATERIAL NO.	R MATERIAL NO.	R MATERIAL NO.	R MATERIAL NO.	R MATERIAL NO.	R MATERIAL NO.

THIS DRAWING CONTAINS INFORMATION THAT IS PROPRIETARY TO MOLEX ELECTRONIC TECHNOLOGIES, LLC AND SHOULD NOT BE USED WITHOUT WRITTEN PERMISSION

DIMENSION UNITS <b>mm</b>	SCALE <b>NTS</b>	CURRENT REV DESC: OBSOLETE PART NUMBERS AS PER PCN #512131	<b>molex</b>		
GENERAL TOLERANCES (UNLESS SPECIFIED)		EC NO: 727779 DRWN: ANIKES1 CHK'D: GGA APPR: GGA			
ANGULAR TOL ± 3.0 °	4 PLACES ±	2022/10/17	PRODUCT CUSTOMER DRAWING		
3 PLACES ±	2 PLACES ± 0.2	2022/11/29	DOCUMENT NUMBER		
1 PLACE ± 0.2	0 PLACES ± 0.2	2022/11/29	SD-55932-002		
DRAFT WHERE APPLICABLE MUST REMAIN WITHIN DIMENSIONS	THIRD ANGLE PROJECTION 	INITIAL REVISION: DRWN: T.NIITSU APPR: T.YAMAGUCHI	DOC TYPE PSD	DOC PART 001	REVISION L2
	DRAWING A3-SIZE	SERIES 55932	MATERIAL NUMBER SEE TABLE	CUSTOMER GENERAL MARKET	SHEET NUMBER 3 OF 3