

1 2 3 4 5 6 7 8

F

F

E

E

D

D

C

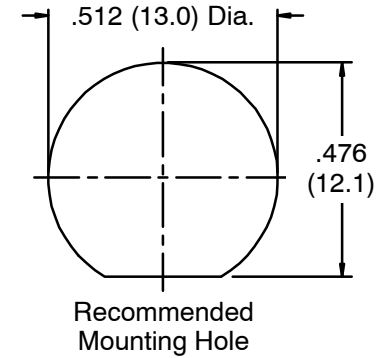
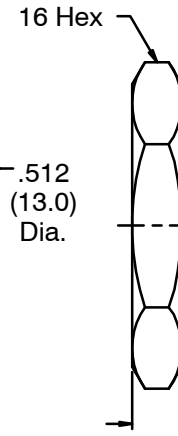
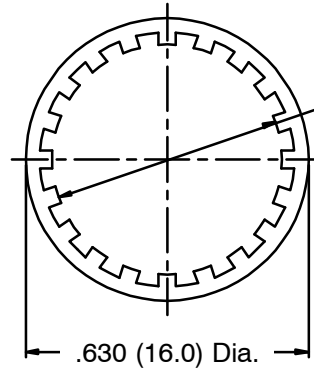
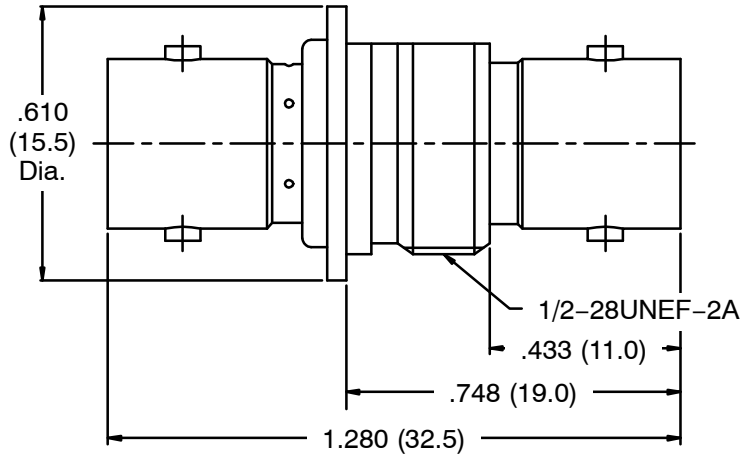
C

B

B

A

A



- NOTES: Finish (Plating Thickness in Micro-inches)
1. Brass
 2. Nickel Pl. 100 Min. Thick over Copper Pl. 50 Min. Thick
 3. Phosphor Bronze
 4. Gold Pl. 3 Min Thick over Nickel Pl. 50 Min. Thick over Copper Pl. 50 Min. Thick
 5. DELRIN

RoHS Compliant

| | | | | | | | | | | |
|----|-------------|----------|---------|------|-------------|---|----------|-----------|--------------------------|-------------|
| 8 | Hex-Nut | Note 1 | Note 2 | 1 | | Dimensions are in Inches Unless Otherwise Specified Tolerances 0.5-6 = ±0.2 6-30 = ±0.4 30-120 = ±0.6 120-315 = ±1 315-1000 = ±1.6 1000-2000 = ±2.4 | Part No. | | <h1>NTE Electronics</h1> | |
| 7 | Lock Washer | Note 1 | Note 2 | 1 | | | Approved | Date | | Title |
| 6 | Housing | Note 1 | Note 2 | 1 | | | Checked | Date | | |
| 5 | Body | Note 1 | Note 2 | 1 | | | Drawn | Date | | Drawing No. |
| 4 | Insulator | Note 5 | Natural | 1 | | | | 1-23-2013 | | 06-B008 |
| 3 | Contact Pin | Note 3 | Note 4 | 1 | | | | 1-23-2013 | | |
| 2 | Insulator | Note 5 | Natural | 2 | | | | 1-23-2013 | | |
| 1 | Body | Note 1 | Note 2 | 1 | | | | 1-23-2013 | | File No. |
| No | Description | Material | Finish | Q'ty | Drawing No. | Scale | 2.5/1 | Issue | A | |

1 2 3 4 5 6 7 8