

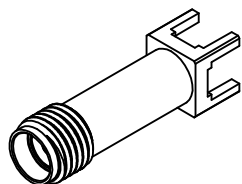
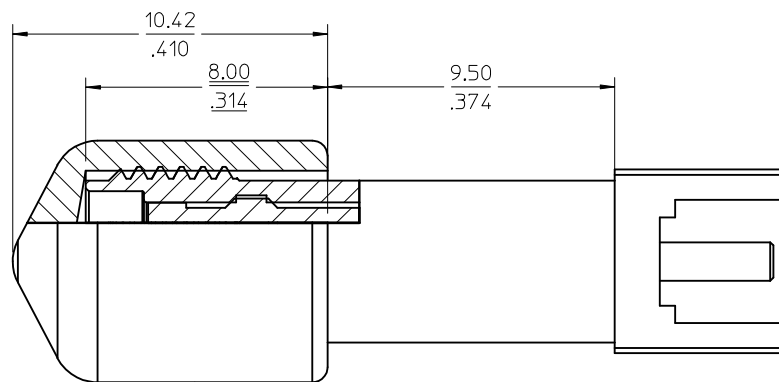
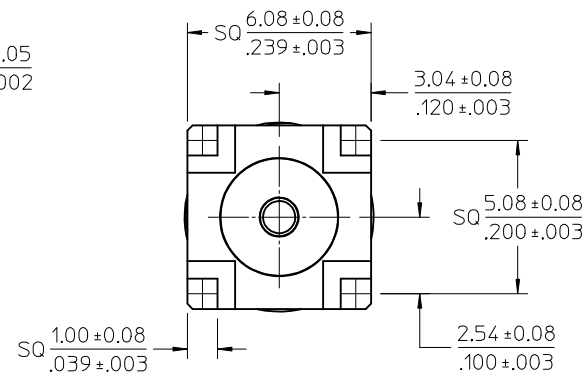
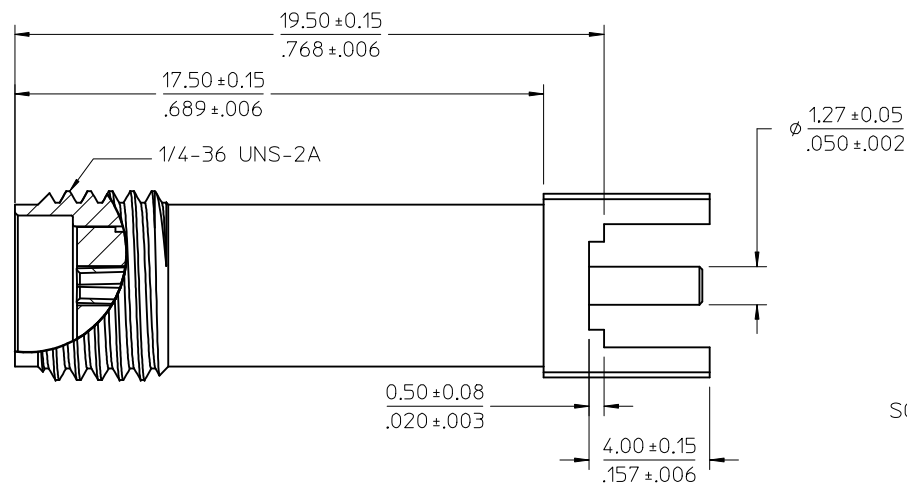
MATERIALS AND FINISHES:

BODY BRASS
PLATED SEE TABLE

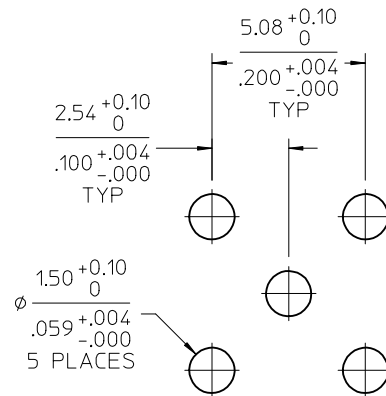
CENTER CONTACT BERYLLIUM COPPER
PLATED SEE TABLE

INSULATOR TEFLON

DUST CAP PVC / BLACK



DUST CAP FOR 73251-2332



RECOMMENDED PCB LAYOUT

73251-2332	GOLD 1u" MIN.	GOLD 1u" TO 3u"	INCLUDED	TRAY
73251-2331	GOLD 1u" MIN.	GOLD 1u" TO 3u"	NO INCLUDED	TRAY
73251-2330	GOLD 5u" TO 15u"	GOLD 10u" TO 30u"	NO INCLUDED	TRAY
PART NO	BODY	CENTER CONTACT	DUST CAP	PACKAGING

PS-89675-3460	ELEC/MECH PERFORMANCE
MIL-STD-348A, FIG. 310.2	INTERFACE
SPECIFICATION	DESCRIPTION

CHG:VIEW UPDATE	REV
EC NO: URF2015-0587	2015/04/27
DRWN:YCHENG	2015/04/27
CHKD:	
APPR:YCHENG	2015/04/29
DESCRIPTION	
QUALITY SYMBOLS	
GENERAL TOLERANCES (UNLESS SPECIFIED)	
DIMENSION STYLE	MM/IN
SCALE	
DESIGN UNITS	METRIC
THIRD ANGLE PROJECTION	
TITLE	SMA JACK STR PCB TH 50 OHMS SMA-J/PCB
DRAWN BY	RYEH
DATE	2012/07/10
CHECKED BY	KERRIE
DATE	2012/07/10
APPROVED BY	MHUANG
DATE	2012/07/27
MATERIAL NO.	SEE TABLE
DOCUMENT NO.	SD-73251-233
ANGULAR ± 2 °	
DRAFT WHERE APPLICABLE MUST REMAIN WITHIN DIMENSIONS	
SIZE	C
THIS DRAWING CONTAINS INFORMATION THAT IS PROPRIETARY TO MOLEX INCORPORATED AND SHOULD NOT BE USED WITHOUT WRITTEN PERMISSION	