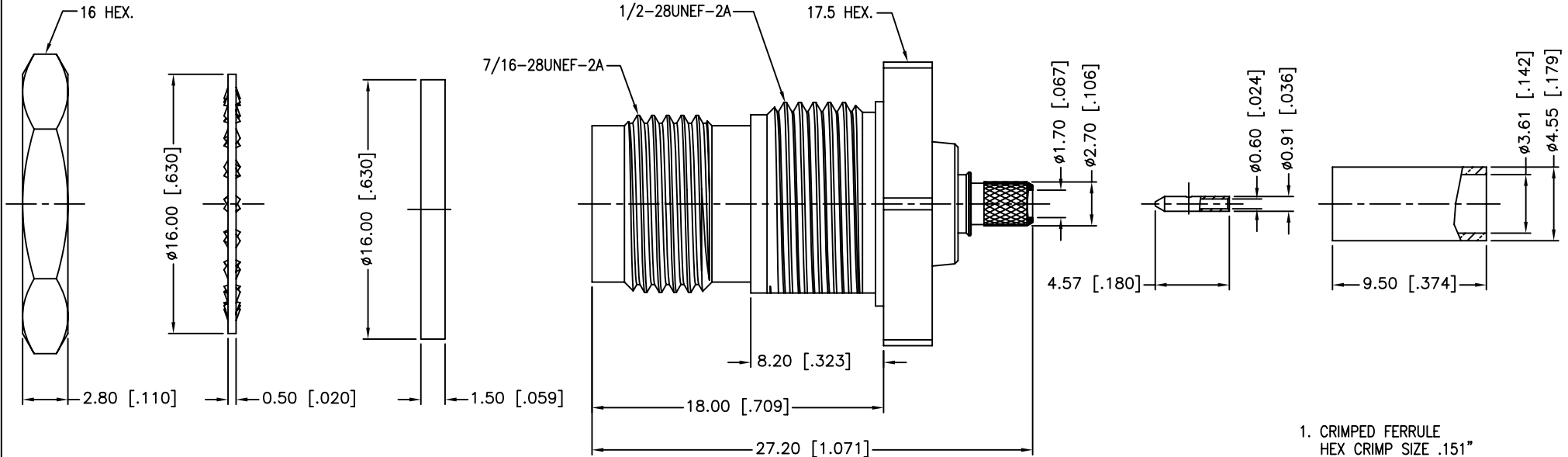
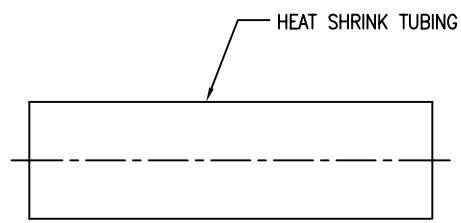
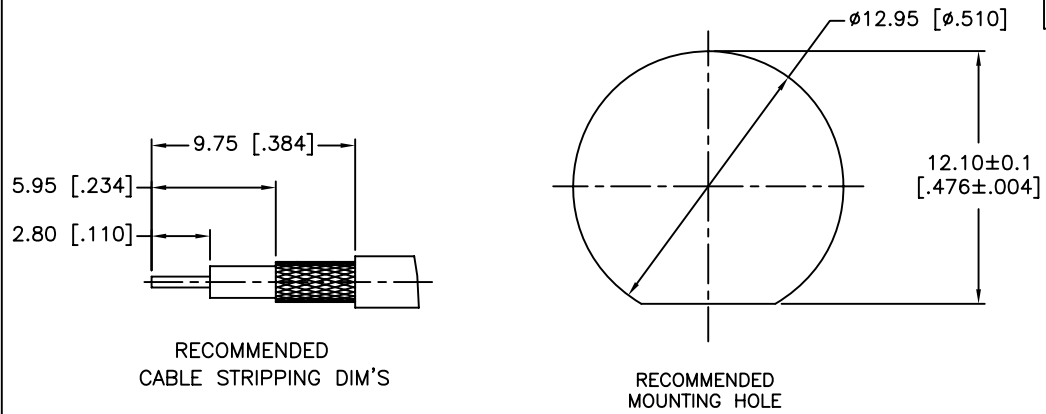


REV.	DATE	ECR NO.	DESCRIPTION
NC	02/15/11	XXXXXX	INITIAL RELEASE



1. CRIMPED FERRULE
HEX CRIMP SIZE .151"
2. CRIMPED CONTACT PIN
SQ. CRIMP SIZE 0.7 mm OR SOLDER
3. IP-67 COMPLIANT
4. MAX. PANEL THICKNESS=4.2 mm

13	HEAT SHRINK TUBING		BLACK	1
12	HEX NUT	BRASS	NICKEL	1
11	LOCK WASHER	BRASS	NICKEL	1
10	GASKET	RUBBER	RED	1
9	CONTACT PIN	BRASS	GOLD	1
8	BARREL	BRASS	NICKEL	1
7	HOUSING	BRASS	NICKEL	1
6	INSULATOR	DELTRIN	NATURAL	1
5	CONTACT PIN	PHOSPHOR BRONZE	GOLD	1
4	O-RING	SILICONE	RED	2
3	LOCK RING	BRASS	NICKEL	1
2	INSULATOR	PTFE	NATURAL	1
1	BODY	BRASS	NICKEL	1
	DESCRIPTION	MATERIAL	FINISH	QTY

UNLESS OTHERWISE SPECIFIED DIMENSIONS ARE IN MILLIMETERS. DIMENSIONS IN [] ARE IN INCHES AND FOR CUSTOMER REFERENCE ONLY.

UNLESS OTHERWISE SPECIFIED TOLERANCES FOR MILLIMETERS ARE:
0.5 - 8mm ± 0.20 mm
8 - 30mm ± 0.40 mm
30 - 120mm ± 0.50 mm

UNLESS OTHERWISE SPECIFIED TOLERANCES FOR INCHES ARE:
.020 - .315 = ± 0.007 "
.315 - 1.180 = ± 0.015 "
1.180 - 4.724 = ± 0.020 "

DO NOT SCALE DRAWING

APPROVALS		DATE
DRAWN	M.ZHANG	02/15/11
CHECKED		
ISSUED		
SHEET	1 OF 1	
CAD FILE	C:/CONNEX/122543.DWG	

Amphenol Connex

PART DESCRIPTION
**TNC BULKHEAD CRIMP JACK,
IP-67 COMPLIANT & ISOLATED GROUND
(FOR RG-316U/D CABLE)**

PART NO.
122543

DWG. NO. 122543.DWG REV. NC SIZE A SCALE NA