

Contact insert module - HC-M-02-PN-M-F - 1417434

Please be informed that the data shown in this PDF Document is generated from our Online Catalog. Please find the complete data in the user's documentation. Our General Terms of Use for Downloads are valid (<http://phoenixcontact.com/download>)




Contact insert module, number of positions: 2, Socket, Pin, application: Pneumatics, for internal hose diameter of 6 mm



COMPLIANT

Key Commercial Data

Packing unit	5 pc
Minimum order quantity	5 pc
GTIN	 4 055626 112954
GTIN	4055626112954

Technical data

Dimensions

Height	27.2 mm
Width	34.2 mm
Length	14.6 mm

Electrical characteristics

Connection profile	2
--------------------	---

Ambient conditions

Ambient temperature (operation)	-40 °C ... 80 °C
---------------------------------	------------------

Mechanical characteristics

Contact diameter	8 mm
Internal diameter of pressure hose connection	6 mm
Insertion/withdrawal cycles	≥ 500

General

Note	For HEAVYCON ADVANCE housing type B6 to B24 and HEAVYCON housing type B6 to B48. HEAVYCON HC-M-B...-MF... module carrier frame required, HC-M-PN... pneumatic pins and sockets are not supplied as standard.
------	--

Contact insert module - HC-M-02-PN-M-F - 1417434

Technical data

General

	Connectors may be operated only when there is no load/voltage.
Series	HC-M-02-PN
Integrated valve	No
Color	light gray
Number of module slots	1
Flammability rating according to UL 94	V0
Assembly instructions	To ensure correct use, installation in housing with IP54 protection or better is required
	Use of HC-CST-MOD (1636127) coding pins and HC-CBU-MOD (1636130) coding sockets has been prescribed.
Connection	<ul style="list-style-type: none"> - Snap the pneumatic contact and module together. Insert the contact into the module from the front - Place the modules assembled with the contacts in the module carrier frame. - The pneumatic tubes are pushed onto the pneumatic contact from the back of the module. The medium-sized module slots and sleeves/coupling housing with straight cable outlet direction are recommended.

Material data

Contact carrier material	PC
--------------------------	----

Standards and Regulations

Flammability rating according to UL 94	V0
--	----

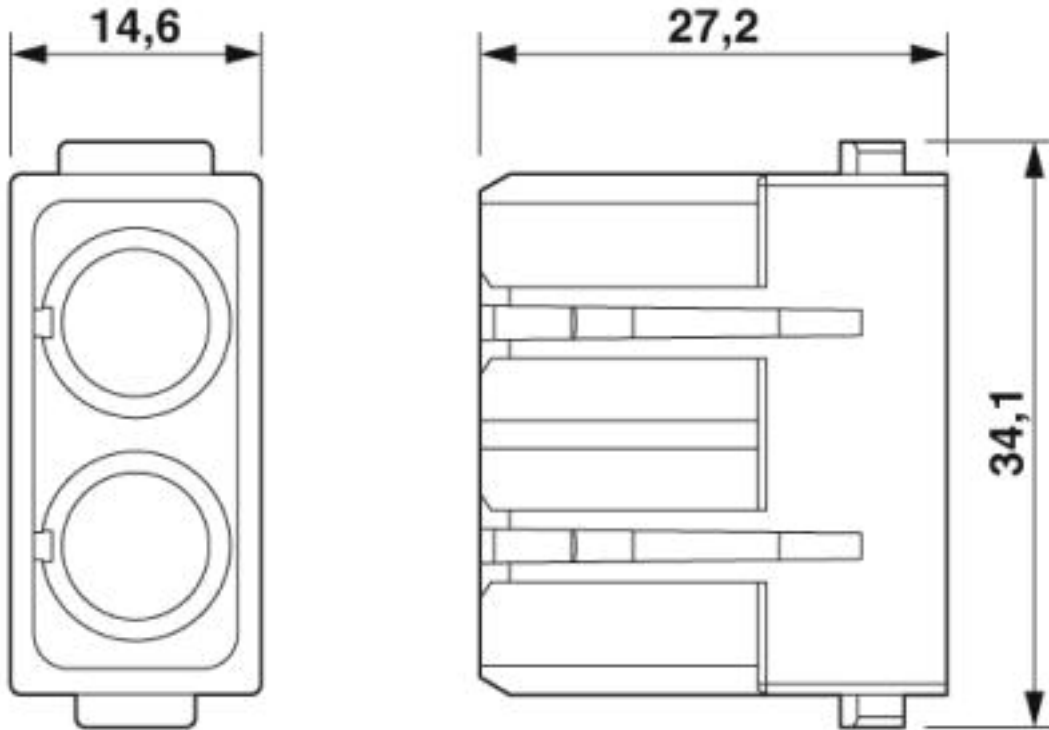
Environmental Product Compliance

China RoHS	Environmentally friendly use period: unlimited = EFUP-e
	No hazardous substances above threshold values

Drawings

Contact insert module - HC-M-02-PN-M-F - 1417434

Dimensional drawing



Approvals

Approvals

Approvals

CSA / UL Recognized / EAC

Ex Approvals

Approval details

CSA		http://www.csagroup.org/services-industries/product-listing/	13631
-----	--	---	-------

UL Recognized		http://database.ul.com/cgi-bin/XYV/template/LISEXT/1FRAME/index.htm	E118976
---------------	--	---	---------

Contact insert module - HC-M-02-PN-M-F - 1417434

Approvals

EAC



RU C-
DE.AI30.B.01102

Phoenix Contact 2019 © - all rights reserved
<http://www.phoenixcontact.com>

PHOENIX CONTACT GmbH & Co. KG
Flachsmarktstr. 8
32825 Blomberg
Germany
Tel. +49 5235 300
Fax +49 5235 3 41200
<http://www.phoenixcontact.com>