

**Ratings**

Voltage: 300 V  
 Temperature: -25 ~ 80 °C  
 Flammability: VW-1

**Conductor**

Conductor count: 1  
 Gauge: 22 AWG 0.34 mm<sup>2</sup>  
 Material: tinned copper strands  
 Strand size:  $\phi 0.16 \times 17$   
 Resistance at 20 °C: 59.4  $\Omega$ /km max

**Insulator**

Material: PVC  
 Color: white  
 Diameter:  $\phi 1.65 \pm 0.10$  mm  
 Nominal thickness: 0.42 mm  
 Resistance at 20 °C: 10 M $\Omega$ /km min

**Shield**

Type: spiral  
 Material: tinned copper strands  
 Stranding:  $\phi 0.1 \times 52$   
 Coverage: 90% minimum

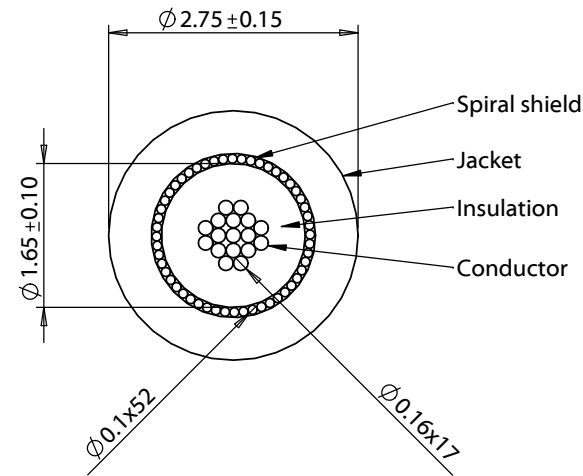
**Outer jacket**

Material: PVC  
 Color: black  
 Diameter:  $\phi 2.75 \pm 0.15$  mm  
 Nominal thickness: 0.45 mm

**Wire marking:** E339579 UL AWM STYLE 1185 22 AWG 80°C  
 300V VW-1 --- cUL AWM I A 80°C 300V FT1 TENSILITY

**Tests**

Insulation tensile strength: 2.11 kgf/mm<sup>2</sup>  
 Jacket tensile strength: 1.05 kgf/mm<sup>2</sup>  
 After aging at 113  $\pm 2$  °C for 7 days:  
 Minimum tensile strength 70 % original  
 Minimum elongation 65 % original  
 Heat shock: 121  $\pm 1$  °C /1 hour, no observed degradation  
 Deformation: 121  $\pm 1$  °C /1 hour,  $\leq 50$  %  
 Cold bend: -10  $\pm 2$  °C /1 hour, no observed cracking



Revision:	Date:	Description:	Prepared:	Notes:	<h1>TENSILITY</h1> <p>tel 1.541.323.3228 800 877.670.7118                  fax 1.541.323.4202 web tensility.com</p>
A	06/27/2014	Initial release	Verified:	RoHS and REACH compliant Function test: no open, no short circuit, no intermittent	
A1	09/07/2018	Increased operating temperature range	Dimensions are in millimeters. Tolerances: X: $\pm 0.5$ mm X.X: $\pm 0.3$ mm X.XX: $\pm 0.05$ mm	Description: Wire, 1C TS, 22 AWG, UL1185, 300V, 80C, 2.75 mm, shielded, VW-1, PVC	Size: A Part number: 30-00341
					Scale: 12:1  Sheet 1 of 1