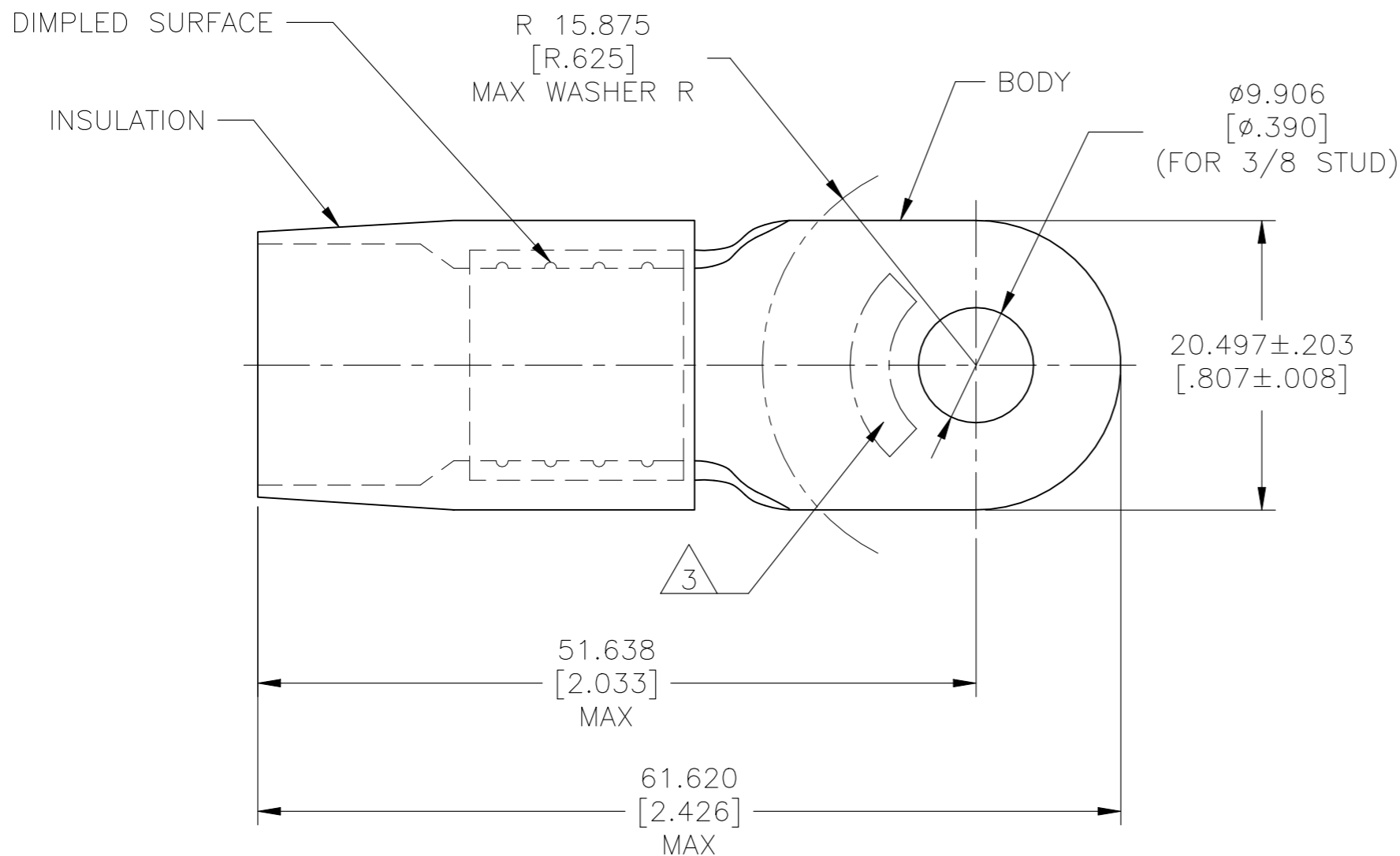
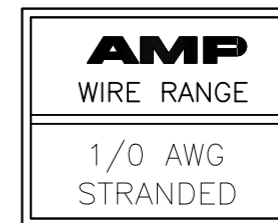


REVISIONS

P	LTR	DESCRIPTION	DATE	DWN	APVD
	N3	REVISED PER ECN-22-150900	27APR2022	RK	CSD



- 1 BODY MATERIAL THK 1.778±0.051[.070±.002]
- 2 FOR Ø14.732[Ø.580] MAX WIRE INS.
- △3 STAMP AMP 1/0 W* APPROX AS SHOWN.

50	LOOSE PC	324057
QTY	PACKAGE TYPE	PART NO

AMP INCORPORATED
CUSTOMER SERVICE SYSTEMS

MAX RECOMMENDED OPERATING TEMPERATURE:
105°C[221°F]

THIS DRAWING IS A CONTROLLED DOCUMENT.

DWN S.S. GOULDEN 6-21-93



FOR ADDITIONAL PRODUCT INFORMATION OR COPIES OF DRAWINGS AND TECHNICAL DOCUMENTS

PRODUCT INFORMATION CENTER
1-800-522-6752

VOLTAGE RATING:
-

DIMENSIONS:
mm [INCHES]

TOLERANCES UNLESS OTHERWISE SPECIFIED:

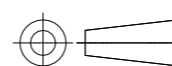
CHK R. HERSEY 6-21-93

NAME
TERMINAL, RING TONGUE, TERMINYL
WIRE SIZE: 1/0 AWG

FOR APPLICATION TOOLING INFORMATION

TOOLING ASSISTANCE CENTER
1-800-722-1111

CIRCULAR MIL AREA:
42.4-60.6mm²[83,700-119,500]
STRANDED



0 PLC	± -
1 PLC	± -
2 PLC	± -
3 PLC	± 0.127[.005]
4 PLC	± -
ANGLES	± -

APVD B. BARE 6-21-93

PRODUCT SPEC

APPLICATION SPEC

SIZE CAGE CODE DRAWING NO RESTRICTED TO

FOR ORDER ENTRY 1-800-526-5142

THIS DRAWING IS A CONTROLLED DOCUMENT FOR AMP INCORPORATED. IT IS SUBJECT TO CHANGE AND THE CONTROLLING ENGINEERING ORGANIZATION SHOULD BE CONTACTED FOR THE LATEST REVISION.

MATERIAL
BODY: COPPER PER ASTM B-152
INSULATION: NYLON ASTM D4066
TYPE 1

FINISH
BODY: TIN PLATE PER ASTM B545
INSULATION: COLOR-BLUE

WEIGHT -

A3 00779 C-324057

CUSTOMER DRAWING SCALE NTS SHEET 1 OF 1 REV N3