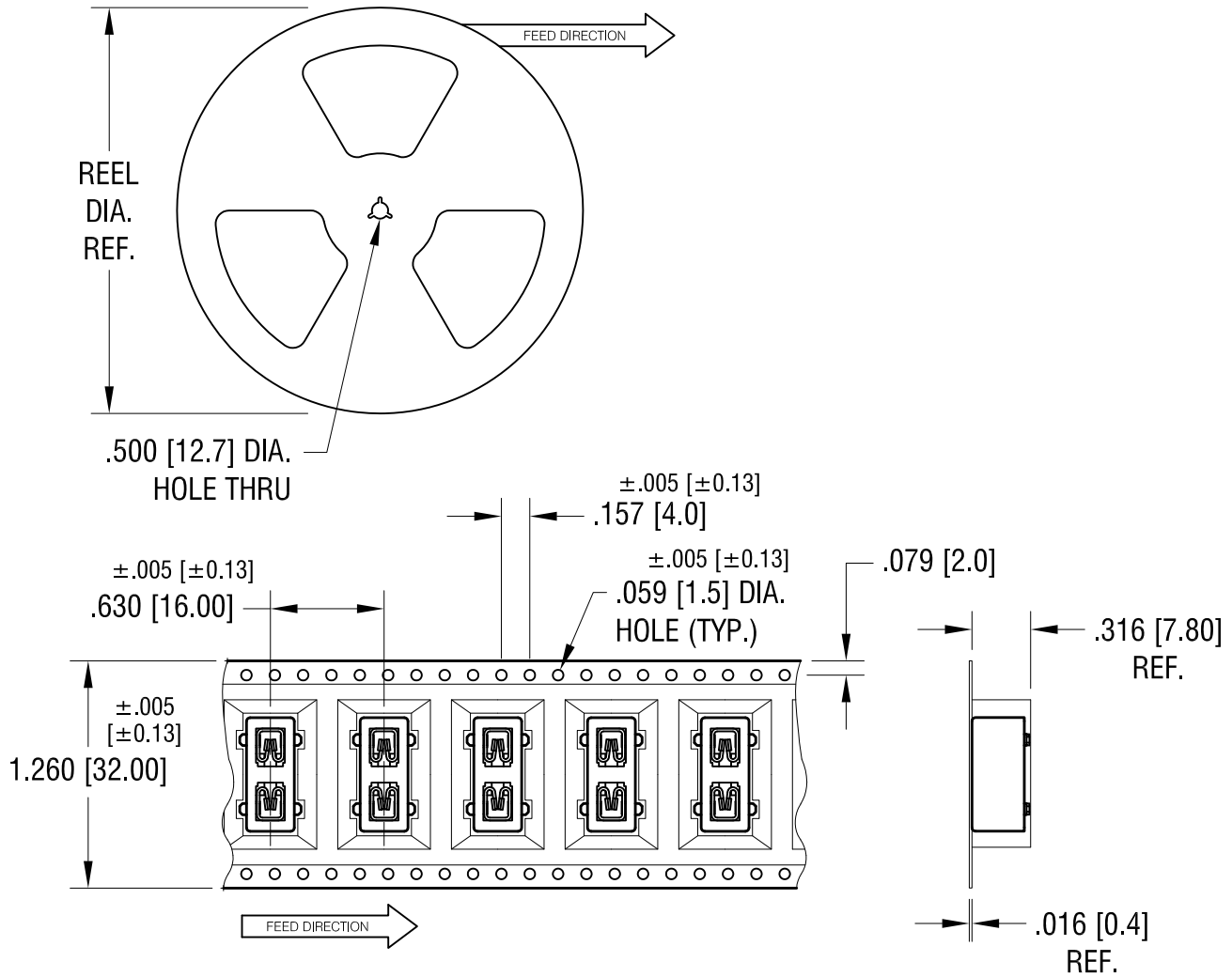


THIS DOCUMENT IS THE PROPERTY OF KEYSTONE ELECTRONICS CORP. AND SHALL NOT BE REPRODUCED, DISTRIBUTED OR USED AS A BASIS FOR MANUFACTURE WITHOUT PRIOR WRITTEN PERMISSION FROM KEYSTONE ELECTRONICS CORP.



**NOTES:**

**TAPE AND REEL SPECIFICATIONS:**

**1. TAPE:**

MAT'L - ALL CONDUCTIVE POLYSTYRENE CARRIER  
 ANSI/EIA-481 STANDARD  
 1.260 [32.0] WIDE; 0.630 [16.0] PITCH

**2. REEL:**

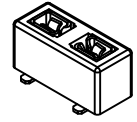
13.0 [330.2] DIA. 500 PIECES OF  
 PART NO. 3588-20 PER REEL.

<b>KEYSTONE ELECTRONICS CORP.</b>			
www.keyelco.com • ASTORIA, N.Y. 11105-2017 • Tel (718) 956-8900			
PART NAME			
SM MINI AUTO-FUSE HOLDER ON TAPE			
MATERIAL			
AS NOTED			
FINISH		DRN BY	DATE
AS NOTED		NT	6.14.16
		APP'D	SCALE
		LN	X
TOLERANCES	INCH [MM]	CODE	DWG NO.
DECIMAL	± .015 [± 0.38]	C	<b>3588-20TR</b>
ANGULAR	± 1°		
UNLESS OTHERWISE SPECIFIED			

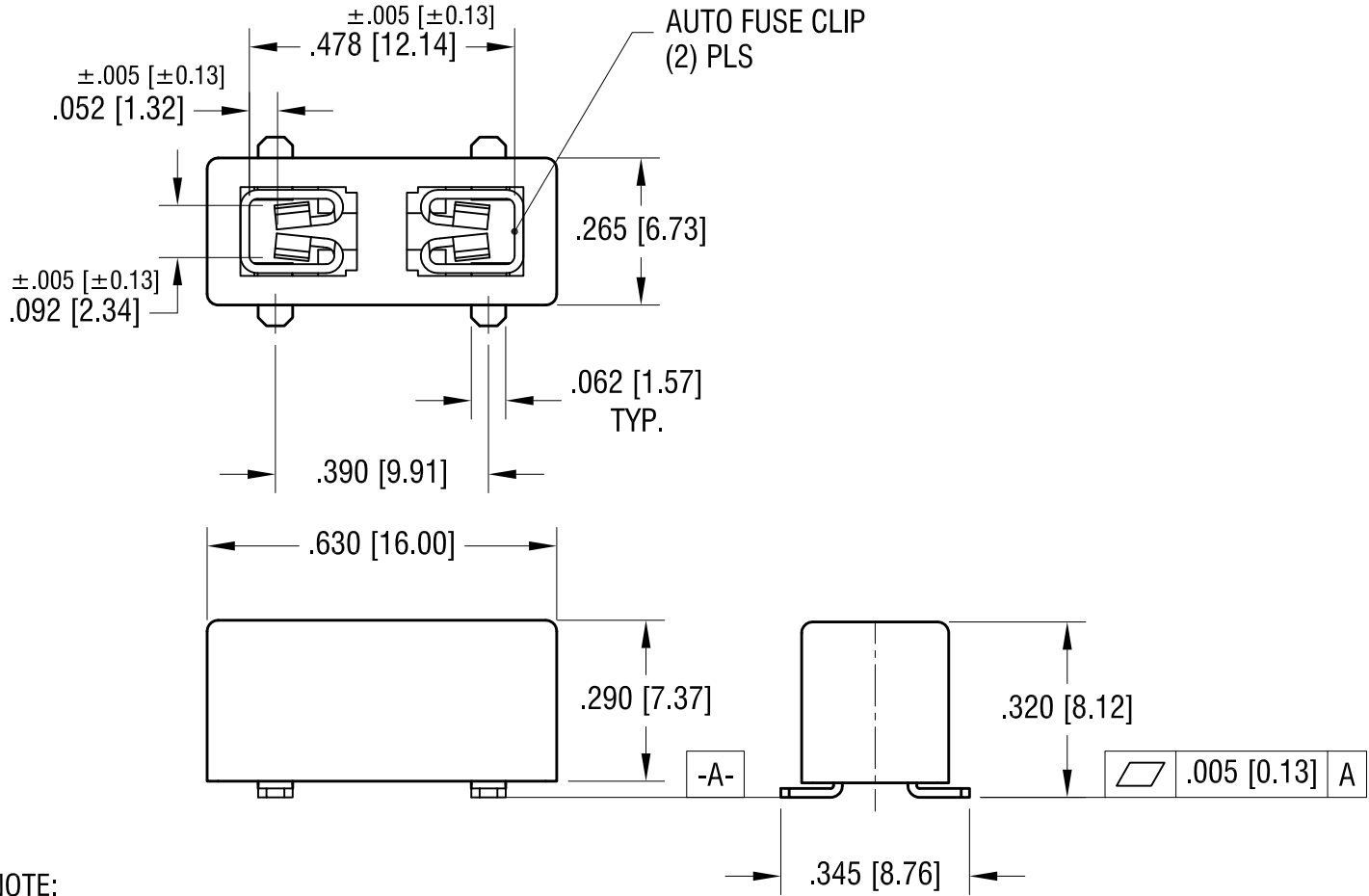
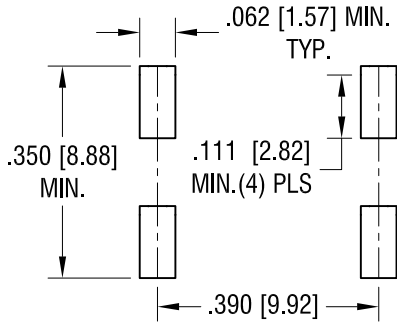
DATE	DESCRIPTION	REV.	

THIS DOCUMENT IS THE PROPERTY OF  
KEYSTONE ELECTRONICS CORP. AND  
SHALL NOT BE REPRODUCED, DISTRIBUTED  
OR USED AS A BASIS FOR MANUFACTURE  
WITHOUT PRIOR WRITTEN PERMISSION  
FROM KEYSTONE ELECTRONICS CORP.

**ACTUAL SIZE**



**MOUNTING DETAIL**



**NOTE:**

1. BASE: MAT'L- HEAT RESISTANCE NYLON STANYL 46 OR EQUIVALENT  
COLOR- YELLOW
2. CLIP: MAT'L: .016 [0.40] TH'K BRASS,  
FINISH- MATTE TIN PLATE

**KEYSTONE ELECTRONICS CORP.**

www.keyelco.com • ASTORIA, N.Y. 11105-2017 • Tel (718) 956-8900

PART NAME		SM MINI AUTO-FUSE HOLDER	
MATERIAL			
AS NOTED			
FINISH		DRN BY	DATE
AS NOTED		NT	6.14.16
		APP'D	SCALE
		LN	3X
TOLERANCES	INCH [MM]	CODE	DWG NO.
DECIMAL	±.010 [±0.25]	C	<b>3588-20</b>
ANGULAR	± 1°		
UNLESS OTHERWISE SPECIFIED			

DATE	DESCRIPTION	REV.
------	-------------	------