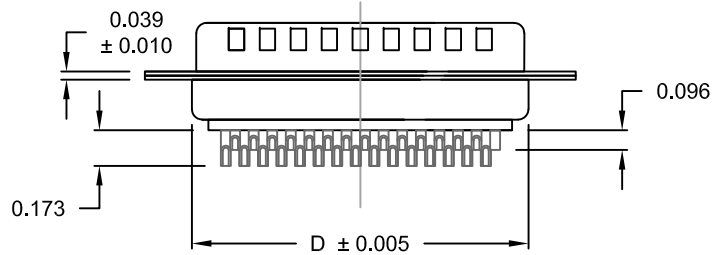
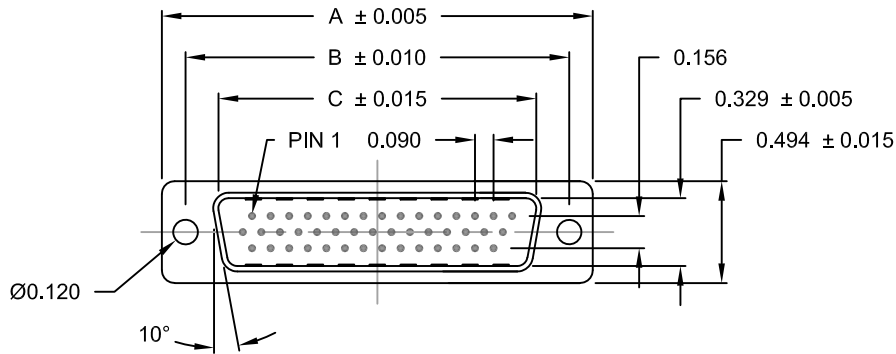
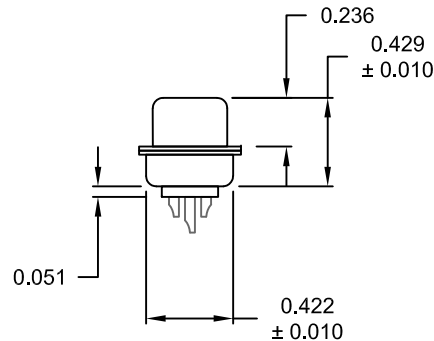


DESCRIPTION: MALE - HIGH DENSITY - MACHINED CONTACTS - SOLDER CUP



ACCEPTS 28 - 24 AWG WIRE



MATERIAL:

SHELL: STEEL MATERIAL, NICKEL FINISH
 INSULATOR: PBT THERMOPLASTIC 30% GLASS FILLED, UL 94V-0 RATED, BLACK
 CONTACT MATERIAL: BRASS
 CONTACT FINISH: SELECTIVE GOLD FINISHED
 SEALING MATERIAL: F08 FLEXIBLE ADHESIVE

ELECTRICAL:

CONTACT CURRENT RATING: 5 AMPS
 CONTACT RESISTANCE: 30 Milliohms Max.
 DIELECTRIC WITHSTANDING VOLTAGE: 1,000VAC Min.
 INSULATION RESISTANCE: 5,000 Megohms Min.
 TEMPERATURE RATING: -55° ~ +105° C

780-M YY-1 0 3 L YY 1

SERIES _____
 MACHINED CONTACTS _____
 POSITIONS _____
 15 _____
 26 _____
 44 _____
 GENDER _____
 1 = MALE
 TERMINATION _____
 0 = SOLDER CUP
 SHELL PLATING _____
 3 = NICKEL
 RoHS COMPLIANT _____
 HARDWARE OPTIONS _____
 00 = NO HARDWARE
 01 = 0.098" 4-40 INSERT, BOARD SIDE
 PLATING OPTIONS _____
 1 = GOLD FLASH, ENTIRE CONTACT



No. OF PINS	DIMENSIONS (IN.)			
	A	B	C	D
15	1.213	0.984	0.666	0.759
26	1.541	1.312	0.994	1.083
44	2.088	1.852	1.534	1.625

MEETS IP67 STANDARDS

(SEE PAGE 2 FOR SEALING DETAILS)

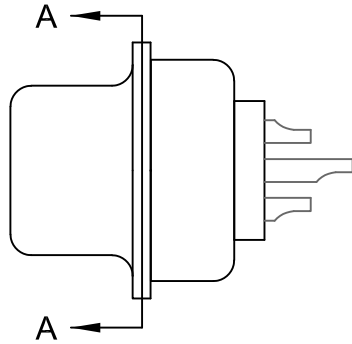
DO NOT SCALE FROM DRAWING

RoHS COMPLIANT

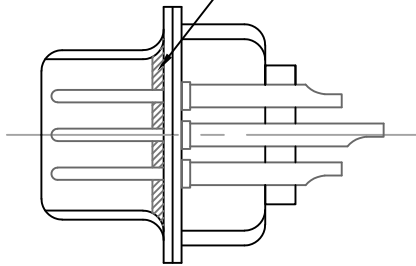
	THESE DRAWINGS AND SPECIFICATIONS ARE THE PROPERTY OF NorComp AND SHALL NOT BE REPRODUCED, COPIED OR USED AS THE BASIS FOR THE MANUFACTURE OF SALE OF APPARATUS WITHOUT WRITTEN PERMISSION.		DRAWN: C. SMITH	DATE: 06-11-09
			SCALE: NTS	SHEET 1 OF 2
			DWG NO. 780-MYY-103L YY1	

DESCRIPTION: IP67 - MALE - HIGH DENSITY - SOLDER CUP - MACHINED - SEALING PROCESS

HARDWARE OPTION

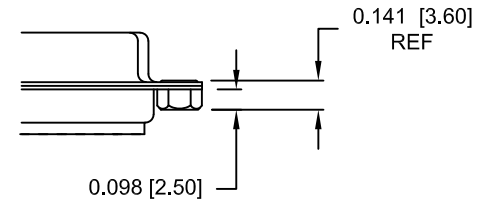


FRONT SEAL APPLIED OVER INSULATOR AND BETWEEN FRONT & REAR SHELLS



DETAIL A-A

01X 0.098" (BOARD SIDE)



DO NOT SCALE FROM DRAWING



THESE DRAWINGS AND SPECIFICATIONS ARE THE PROPERTY OF NorComp AND SHALL NOT BE REPRODUCED, COPIED OR USED AS THE BASIS FOR THE MANUFACTURE OR SALE OF APPARATUS WITHOUT WRITTEN PERMISSION.

DRAWN: C. SMITH		DATE: 06-11-09	
SCALE: NTS	SHEET 2	OF 2	REV 4
DWG NO. 780-MYY-103LYY1			

NorComp