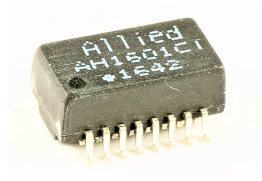


- Designed to meet IEEE802.3 & ANSI X3.263 Standards
- Ethernet based LAN, WAN and other networking applications
- LL: 0.5μH @ 100KHz, 0.2V
- Cw/w: 25PF TYP @ 100KHz, 0.2V
- Polarity: 1-16, 6-11, In-Phase
- Operating Temperature: -40°C to +85°C
- Halogen Free



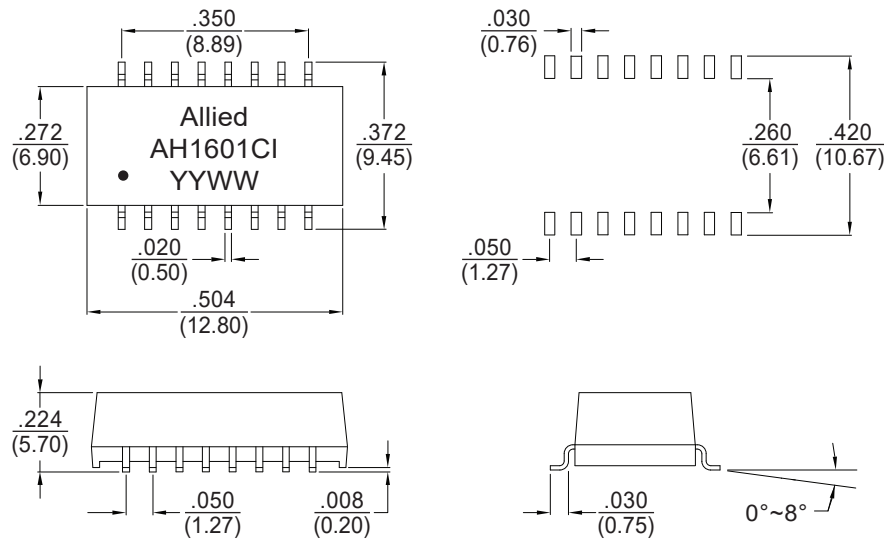
Electrical Specifications @ 25°C

OCL(μH Min) @ 100kHz, 0.2V With 8mA DC Bias	Turns Ratio chip: cable (±3%)	DCR Ω Max	Insertion Loss (dB Max) 0.3-100MHz	Return Loss (dB Min)				CMR (dB Min) 0.5-100MHz	Cross Talk (dB Min)		HI-POT (Vrms) 60Sec.
				0.3-30MHz	40MHz	50MHz	60-80MHz		0.5-40MHz	50-100MHz	
350	1CT:1CT	1.1	-1.1	-18	-16	-14.5	-12	-30	-35	-30	1500

All specifications subject to change without notice.

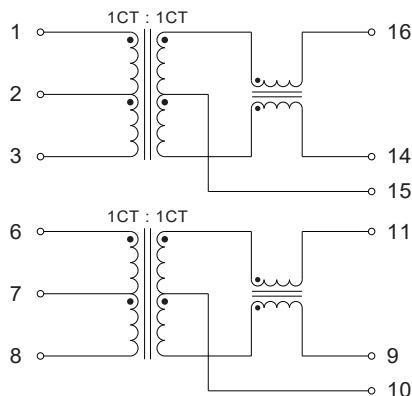
MECHANICAL

DIMENSIONS: $\frac{\text{inch}}{\text{(mm)}}$



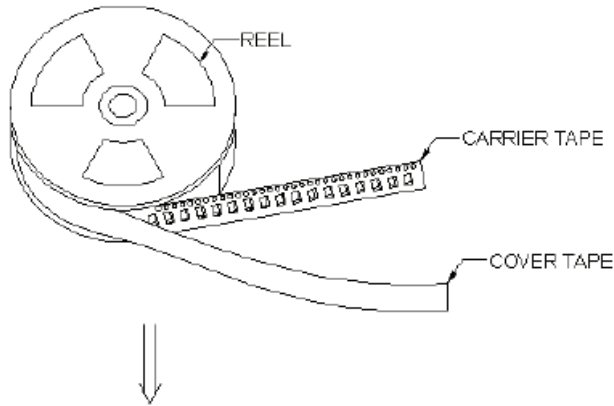
Unless otherwise specified, all tolerances are ±.010(0.25)

SCHEMATICS





PACKAGING SPECIFICATIONS

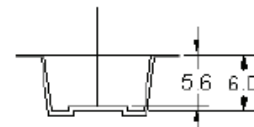
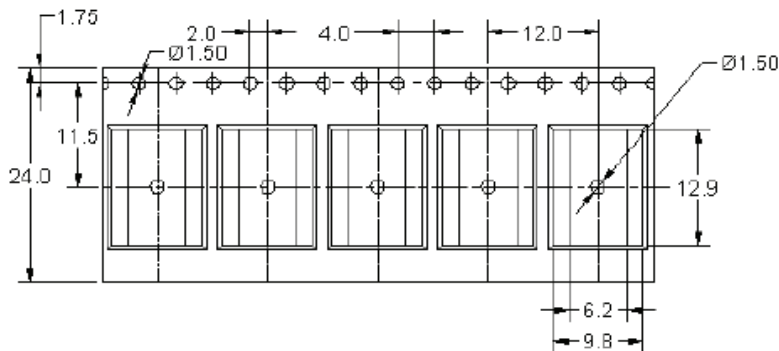
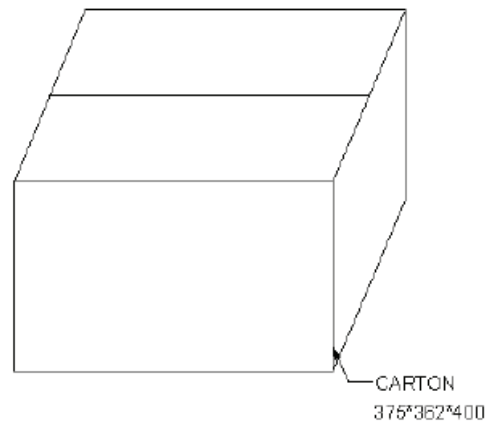
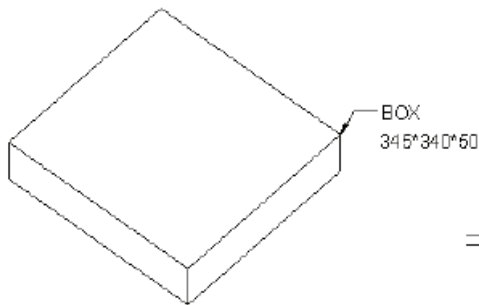


750PCS/REEL

750PCS/BOX

4500PCS/CARTON

N/W: 0.6g/ea



unit:mm