



HDLSP SERIES

(0.635 mm) .025"

HIGH-DENSITY/HIGH-SPEED CABLE SYSTEM

SPECIFICATIONS

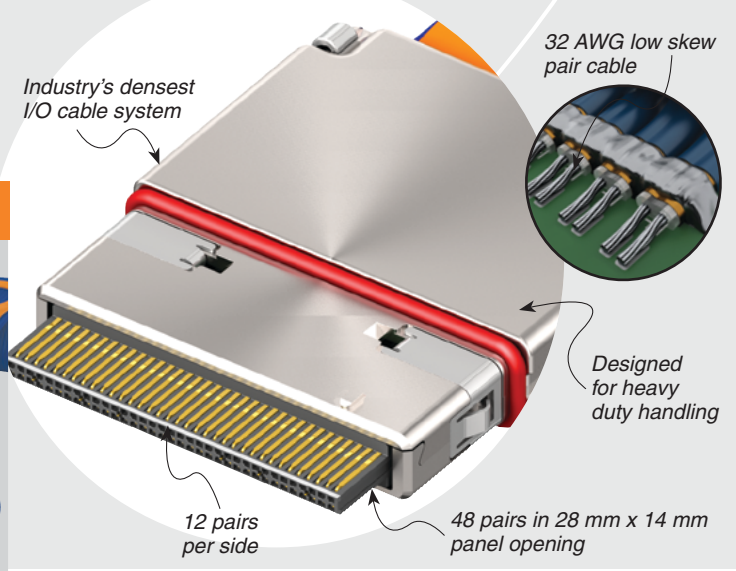
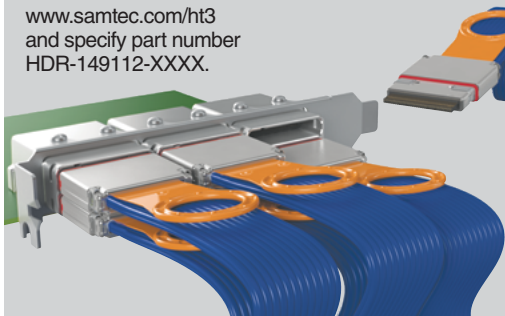
For complete specifications and recommended PCB layouts see www.samtec.com?HDLSP

- Cable:** 32 AWG low skew pair cable
- Insulator Material:** LCP
- Terminal Material:** Phosphor Bronze
- Jacket Material:** PVC
- Insulator:** Dielectric
- Conductors:** Copper
- Braid:** Tinned Copper
- Covers:** Diecast Zinc Alloy
- Current Rating:** 1.5 A per pin (4 adjacent pins powered)

Mates with:
HDI6

OTHER SOLUTIONS

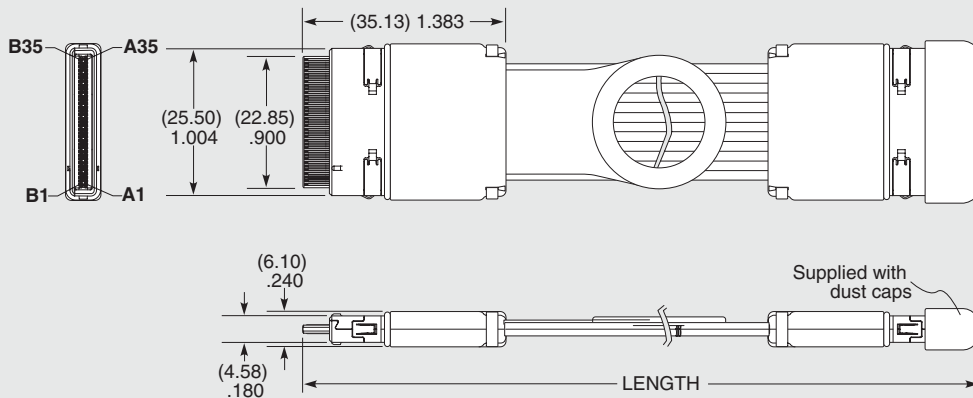
For HT3.1 see www.samtec.com/ht3 and specify part number HDR-149112-XXXX.



ALSO AVAILABLE
 (MOQ Required)

- Other lengths

TYPE	NO. OF POSITIONS	LENGTH
HDLSP = High-density Low Skew Pair Cable	-035 (Per Row) = 12 Pairs per side	-“XXXX” = Length in millimeters -1000, -2000 (Standard lengths)



Note: Some lengths, styles and options are non-standard, non-returnable.

Due to technical progress, all designs, specifications and components are subject to change without notice.

WWW.SAMTEC.COM

All parts within this catalog are built to Samtec's specifications. Customer specific requirements must be approved by Samtec and identified in a Samtec customer-specific drawing to apply.