



**Mallory Sonalert Products, Inc.**

Part #: **JT120-YG-CD**

**Sales Outline Drawing**

Revision: **C**

**Specifications:**

Stack Number:	1	2		
LED Color:	YELLOW	GREEN		
Connection Wires:	Yellow and Brown	Green and Brown		
LED Current Draw:	<230 mA	<190 mA		
Rated Voltage:	120 VAC			
Operating Voltage:	90-120 VAC			
Total Max Current:	<420mA			
Operating Temperature:	-25° ~ +60°C			
Lens Color:	Opaque White			
Material:	ABS FR15U			
Mounting Method:	Direct Mount using 1/2" NPT Stainless Steel Pipe and Nut			
Weight Typical (g):	215			
NEMA 12:	Approved			
Options:	Please contact factory.			

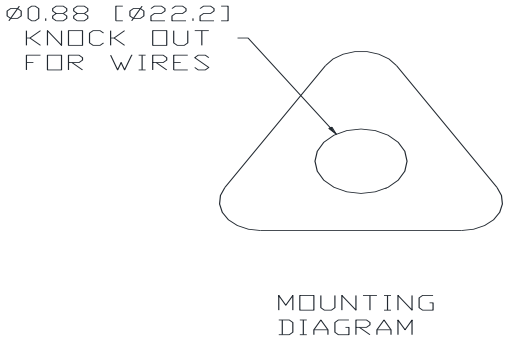
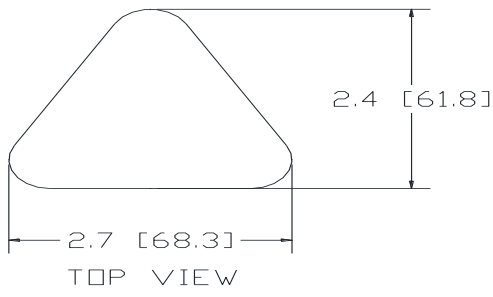
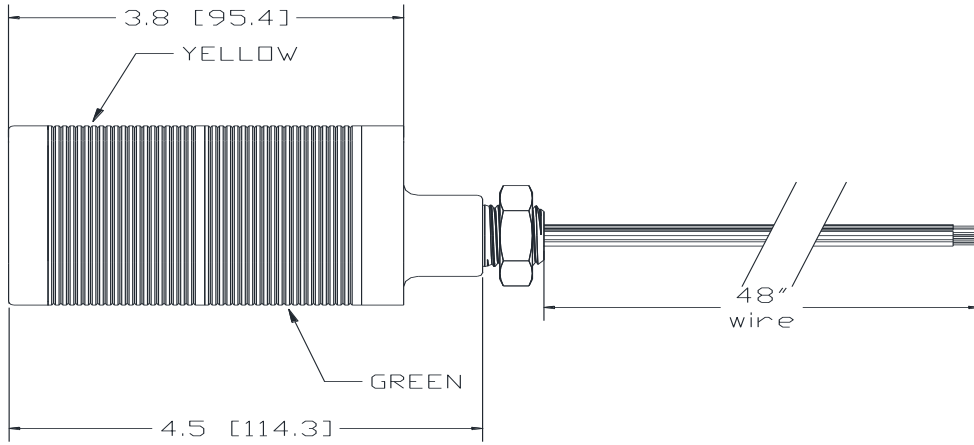
**Dimensions:**

Inches (mm)

**cUL Recognized**

**ROHS Compliant**

PATENT NUMBER 10309594



**LED OPERATION:** CONNECT STACK COLOR WIRE TO POWER AND BROWN WIRE TO POWER.