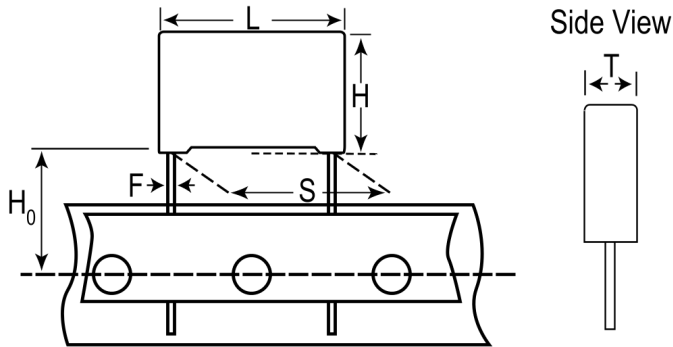


## R75PD1330DQ40K

Aliases (75PD1330DQ40K)

R75, Film, Metallized Polypropylene, Automotive Grade, 3300 pF, 10%, 630 VDC, 85°C, Lead Spacing = 7.5mm



Click [here](#) for the 3D model.

### Dimensions

L	10mm +0.2/-0.5mm
H	9mm +0.1/-0.5mm
T	4mm +0.1/-0.5mm
S	7.5mm +/-0.4mm
H0	18.5mm +/-0.5mm
F	0.5mm +/-0.05mm

### Packaging Specifications

Packaging	Ammo, 360x340x59mm, Box
Packaging Quantity	2100

### General Information

Series	R75
Dielectric	Metallized Polypropylene
Style	Radial
Features	Automotive Grade, Pulse
RoHS	Yes
Lead	Wire Leads
Qualifications	AEC-Q200
AEC-Q200	Yes
Miscellaneous	Above 85C DC And AC Voltage Derating Is 1.25%/C.

### Specifications

Capacitance	3300 pF
Capacitance Tolerance	10%
Voltage AC	250 VAC
Voltage DC	630 VDC
Temperature Range	-55/+105°C
Rated Temperature	85°C
Dissipation Factor	0.04% 1kHz, 0.06% 10kHz, 0.25% 100kHz
Insulation Resistance	100 GOhms
Max dV/dt	2400 V/us
Resistance	241.1 mOhms (100kHz)
Ripple Current	0.52 Amps (100kHz 85C), 8 Amps (Peak)
Inductance	8 nH