

# Product Discontinuation Notification

PDN21-18-SAM transition to SAMXD

---

**C&K**

2 rue Berthollet - B.P. 359 F-39105 Dole Cedex - France  
Tel : +33 (0)3 84 72 81 12      [www.ckswitches.com](http://www.ckswitches.com)

Document subject to change without prior notice

## Document revision

Revision	Date	Description	Author
A	June 23rd, 2021	Replacement of SAM with SAMXD	J. Smolinski

---

**C&K**

2 rue Berthollet - B.P. 359 F-39105 Dole Cedex - France  
Tel :+33 (0)3 84 72 81 12      [www.ckswitches.com](http://www.ckswitches.com)

Document subject to change without prior notice

## Summary

1. Purpose .....	4
2. Overview .....	4
3. Impact of Change and Qualification .....	5
4. Part References affected .....	5
5. Date of application .....	5
6. Conditions of application .....	5
7. Support .....	5

## 1. Purpose

C&K, as design and manufacturing company for switches, is constantly looking to improve the manufacturing means and processes in order to continue serving its customers with the highest performance level.

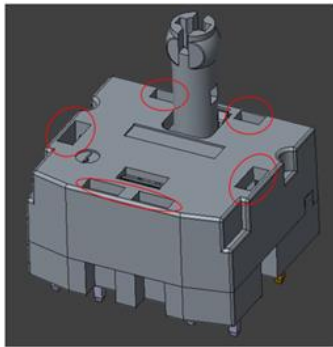
As part of this continuous improvement policy, in order to reduce the risk during life time of the product, we are introducing a new version of our SAM switches (power switches for seat adjustment) with dust protection: SAMXD series.

## 2. Overview

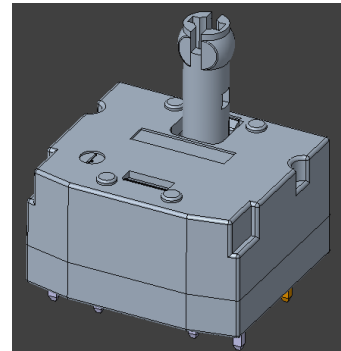
### Design improvements in the dust roof SAMXD version

- Remove the openings on the cover, heat staking assembly of cover to the base, reducing the openings.

Current version

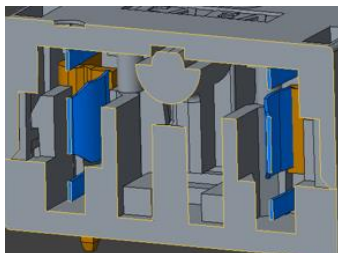


SAMXD

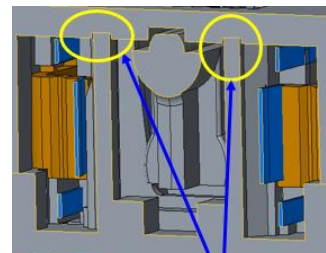


- Separate the inside area to three independent areas to protect contact zone

Current version



SAMXD



### We are transitioning all products to XD version for the following reasons:

- A sturdier product means less field failure
- Assembled on an automated line, production is more consistent in the final performances of the switch
- The production capacity is ramping up on the new tools and automated line by July 2021 and non-dust proof version production will phase out step by step
- Offering enhanced products with better overall performances is carved into our product strategy

## C&K

2 rue Berthollet - B.P. 359 F-39105 Dole Cedex - France  
Tel : +33 (0)3 84 72 81 12      www.ckswitches.com

Document subject to change without prior notice

### 3. Impact of Change and Qualification

#### 3.1 Impact of Change

The dimensions are the same and performances are similar except the improved IP rating on SAMXD.

Minor differences can be found and described in the table below:

Old part Number	Travel	Height to top of spring pin (mm)	New SAMXD part Number	Travel	Height to top of spring pin (mm)	Difference (mm)
SAM-H2-LR10SPA	1.0 +/- 0.4 mm	27,85	SAMXDH2LR10SP	1.0 +/- 0.4 mm	26,3	-1,55
SAM-H2-LR14SPA	1.25 +/- 0.4 mm	31,85	SAMXDH2LR14SP	1.3 +/- 0.4 mm	30,4	-1,45
SAM-H2-MR14SPA	1.25 +/- 0.4 mm	31,85	SAMXDH2MR14SP	1.3 +/- 0.4 mm	30,4	-1,45
SAM-H4-MR11SPA	1.0 +/- 0.4 mm	27,6	SAMXDH4MR11SP	1.2 +/- 0.4 mm	26,85	-0,75

#### 3.2 Qualification

Qualification files are available upon request

### 4. Part References affected

Old part Number	New SAMXD part Number
SAM-H2-LR10SPA	SAMXDH2LR10SP
SAM-H2-LR14SPA	SAMXDH2LR14SP
SAM-H2-MR14SPA	SAMXDH2MR14SP
SAM-H4-MR11SPA	SAMXDH4MR11SP

### 5. Date of application

- SAMXD availability: July 1<sup>st</sup>, 2021
- SAM Last Time Buy: December 1<sup>st</sup>, 2021
- SAM Last Delivery: 12 weeks after LTB
- Date of Discontinuation: March 1<sup>st</sup>, 2022

### 6. Conditions of application

Not applicable

### 7. Support

- Drawing and specifications: available upon request – 3D available on our site: [ckswitches.com](http://ckswitches.com)
- Samples for qualification: available upon request

For any question, please contact your C&K sales representative.

---

### C&K

2 rue Berthollet - B.P. 359 F-39105 Dole Cedex - France  
Tel : +33 (0)3 84 72 81 12      [www.ckswitches.com](http://www.ckswitches.com)

Document subject to change without prior notice