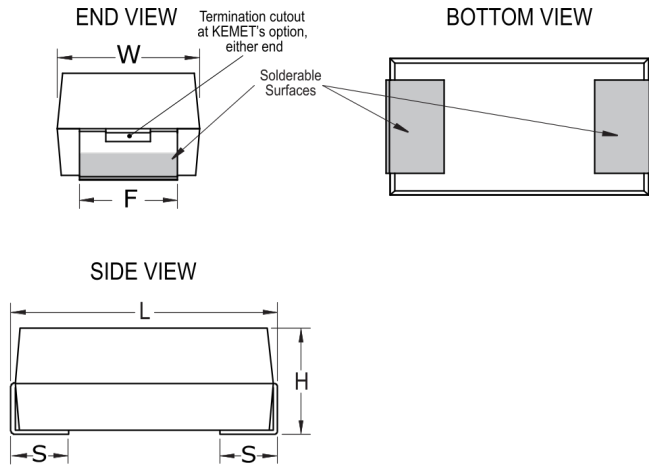


T493X337K010BB6130

Aliases (DLA Drawing 07016-055KBBZ)

T493 HRA, Tantalum, MnO2 Tantalum, HRA, 330 uF, 10%, 10 VDC, SMD, MnO2, Molded, DLA Drawing, B (0.1%/1000 Hrs), 50 mOhms, 7343, Height Max = 4.3mm



Click [here](#) for the 3D model.

Dimensions	
Footprint	7343
L	7.3mm +/-0.3mm
W	4.3mm +/-0.3mm
H	4mm +/-0.3mm
S	1.3mm +/-0.3mm
F	2.4mm +/-0.1mm

Packaging Specifications	
Packaging	T&R, 178mm
Packaging Quantity	500

General Information	
Series	T493 HRA
Dielectric	MnO2 Tantalum
Style	SMD Chip
Description	SMD, MnO2, Molded, DLA Drawing
RoHS	Yes
Termination	Gold
AEC-Q200	No
Component Weight	654.04 mg

Specifications	
Capacitance	330 uF
Capacitance Tolerance	10%
Voltage DC	10 VDC (85C), 6.7 VDC (125C)
Temperature Range	-55/+125°C
Rated Temperature	85°C
Dissipation Factor	8% 120Hz 25C
Failure Rate	B (0.1%/1000 Hrs)
Resistance	0.05 Ohms (100kHz 25C)
Ripple Current	1817 mA (rms, 100kHz 25C)
Leakage Current	33 uA (5min 25°C)
Testing and Reliability	Standard Testing Only