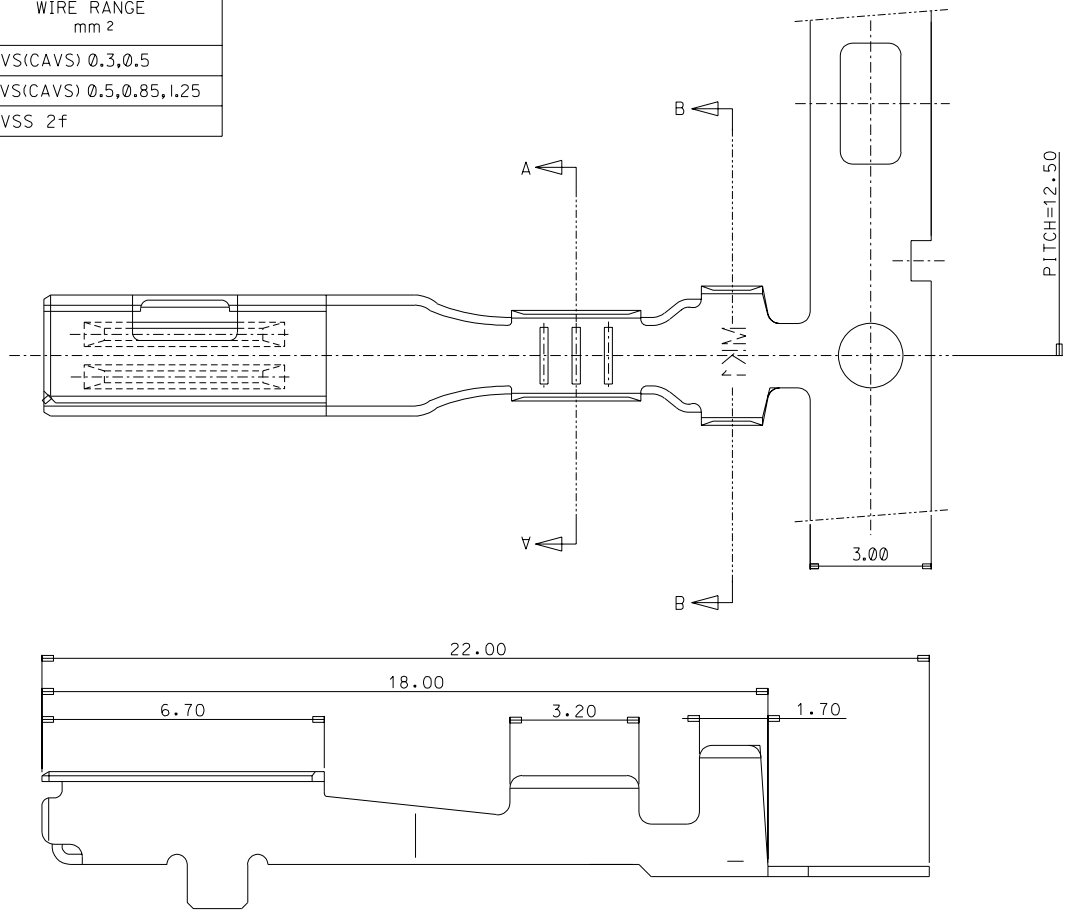
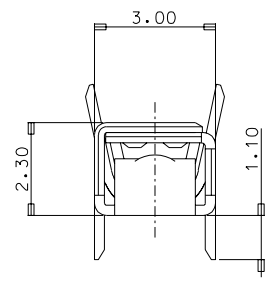
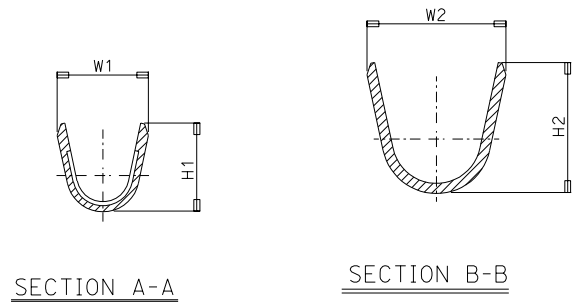






DWG. NO. SD-35421-002  
 SIMILAR ITEM  
 PROJECT NO.  
 C  
 B  
 DO NOT SCALE DRAWING DIMENSION IN METRIC

"B" TYPE ENG.NO	DESCRIPTION	DIMENSION				WIRE RANGE mm <sup>2</sup>
		W1	H1	W2	H2	
35421-6102	UNICONN FEMALE TERMINAL (S)	2.1	2.2	3.4	3.25	AVS(CAVS) 0.3,0.5
35421-6202	UNICONN FEMALE TERMINAL (M)	2.6	2.95	4.0	3.8	AVS(CAVS) 0.5,0.85,1.25
35421-6302	UNICONN FEMALE TERMINAL (L)	3.6	4.0	4.3	3.9	AVSS 2f



NOTES

1. MATERIAL: COPPER ALLOY 0.25±0.01
2. FINISH: PRE-TIN PLATED
3. INSERTION-EXTRACTION FORCE WITH TAB TERMINAL P/N 35420.  
 INSERTION FORCE : 0.30±1.0 Kgf.  
 AFTER SIX TIMES OF INSERTION & EXTRACTION FORCE : 0.15±1.0 Kgf.

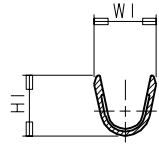
CHANGED TENSION SPEC. EC NO. KOR2002-0090 DRWN: S.M.KIM 02/07/08 CHK: Y.SIK.KIM 02/07/08 APPR: C.W.LEE	QUALITY SYMBOLS MAJOR  = 0 CRITICAL  = 0	GENERAL TOLERANCES: (UNLESS SPECIFIED)		SCALE 8:1	DESIGN UNITS <input checked="" type="checkbox"/> mm <input type="checkbox"/> INCH	THIRD ANGLE PROJECTION 	DIMENSIONS: <input type="checkbox"/> mm <input type="checkbox"/> INCH <input checked="" type="checkbox"/> mm ONLY	SHT	REV	
		4 PLACES	±0.	±.	DRAWN BY & DATE W.Y.YANG 97/12/03		TITLE: UNICONN FEMALE TERMINAL			
		3 PLACES	±0.	±.	CHECKED BY & DATE B.K.CHOI 97/12/03					
		2 PLACES	±0.30	±.	APPROVED BY & DATE C.W.LEE 97/12/03		 MOLEX INCORPORATED			
1 PLACE	±0.30	±.	ANGULAR: ± 1.0 °		MATERIAL NO.	DRAWING NO.				
D	REV	DRAFT WHERE APPLICABLE MUST REMAIN WITHIN DIMENSIONS		THIS DRAWING CONTAINS INFORMATION THAT IS PROPRIETARY TO MOLEX INCORPORATED AND SHOULD NOT BE USED WITHOUT WRITTEN PERMISSION.				SIZE B		

ENG. NO.

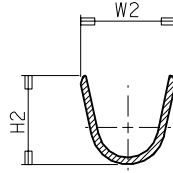
EDP NO.

SIMILAR ITEM

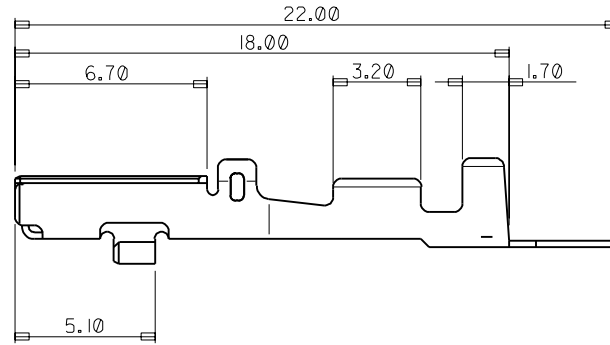
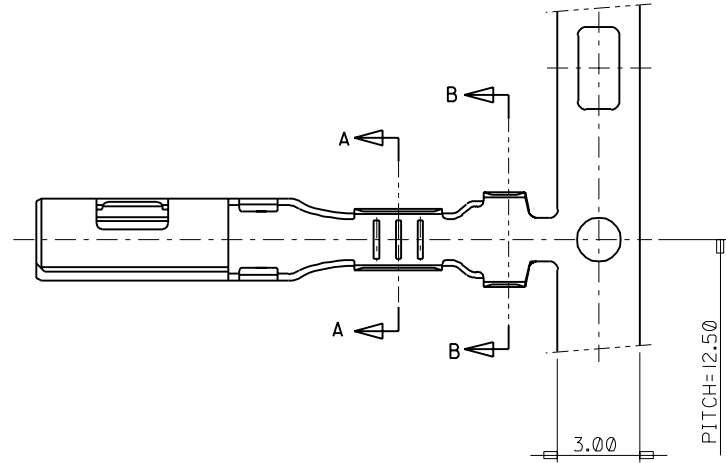
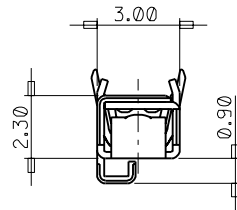
PROJECT NO.



SECTION A-A



SECTION B-B



ENG.NO	DESCRIPTION	DIMENSION				WIRE RANGE mm <sup>2</sup>
		W1	H1	W2	H2	
35421-6702	UNICONN FEMALE TERMINAL (S)	2.1	2.2	3.4	3.25	AVS(CAVS) 0.3,0.5
35421-6802	UNICONN FEMALE TERMINAL (M)	2.6	2.95	4.0	3.8	AVS(CAVS) 0.5,0.85,1.25
35421-6902	UNICONN FEMALE TERMINAL (L)	3.6	4.0	4.3	3.9	AVSS 2f

				MATERIAL PRE-TIN PLATED COPPER ALLOY 0.25t		MOLEX-KOREA CO.,LTD.	
				GENERAL TOLERANCE DIMENSION : +0.30 ANGLE :		DRAWN BY Y.SIK,KIM	CHK'D BY
				DIMENSION CLASSIFICATION ▽ : CRITICAL ▼ : MAJOR ( ) : REFERENCE		APP'D BY	SCALE 6:1
A	NEW RELEASE	KOR 97-0162	97.12.03	ASS'Y PART		TITLE : UNICONN FEMALE TERMINAL	
LTR	REVISION RECORD	ECN	DATE	DESCRIPTION ENG. NO.		SHEET 1/1	
REVISE ONLY ON CAD SYSTEM						ENG. NO. SD 35421-6*02 REV A	