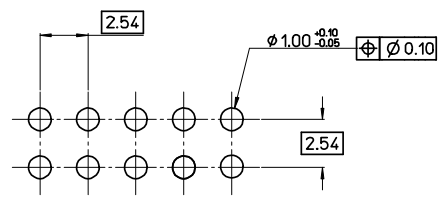
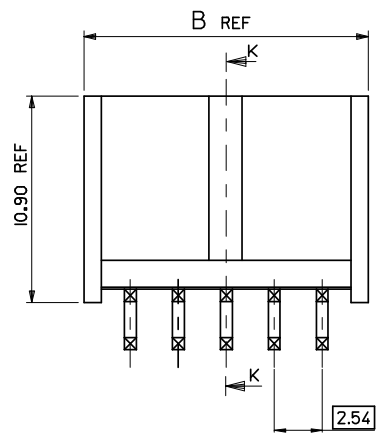
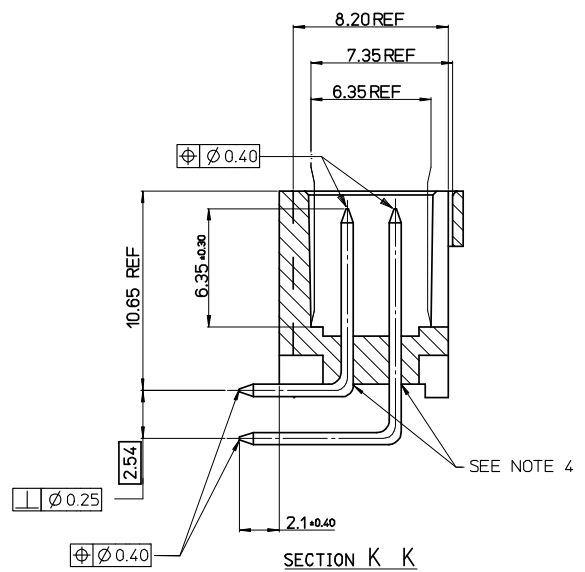


**VERSION FULLY LOADED**



RECOMENDEC P.C. BOARD HOLE PATTERN

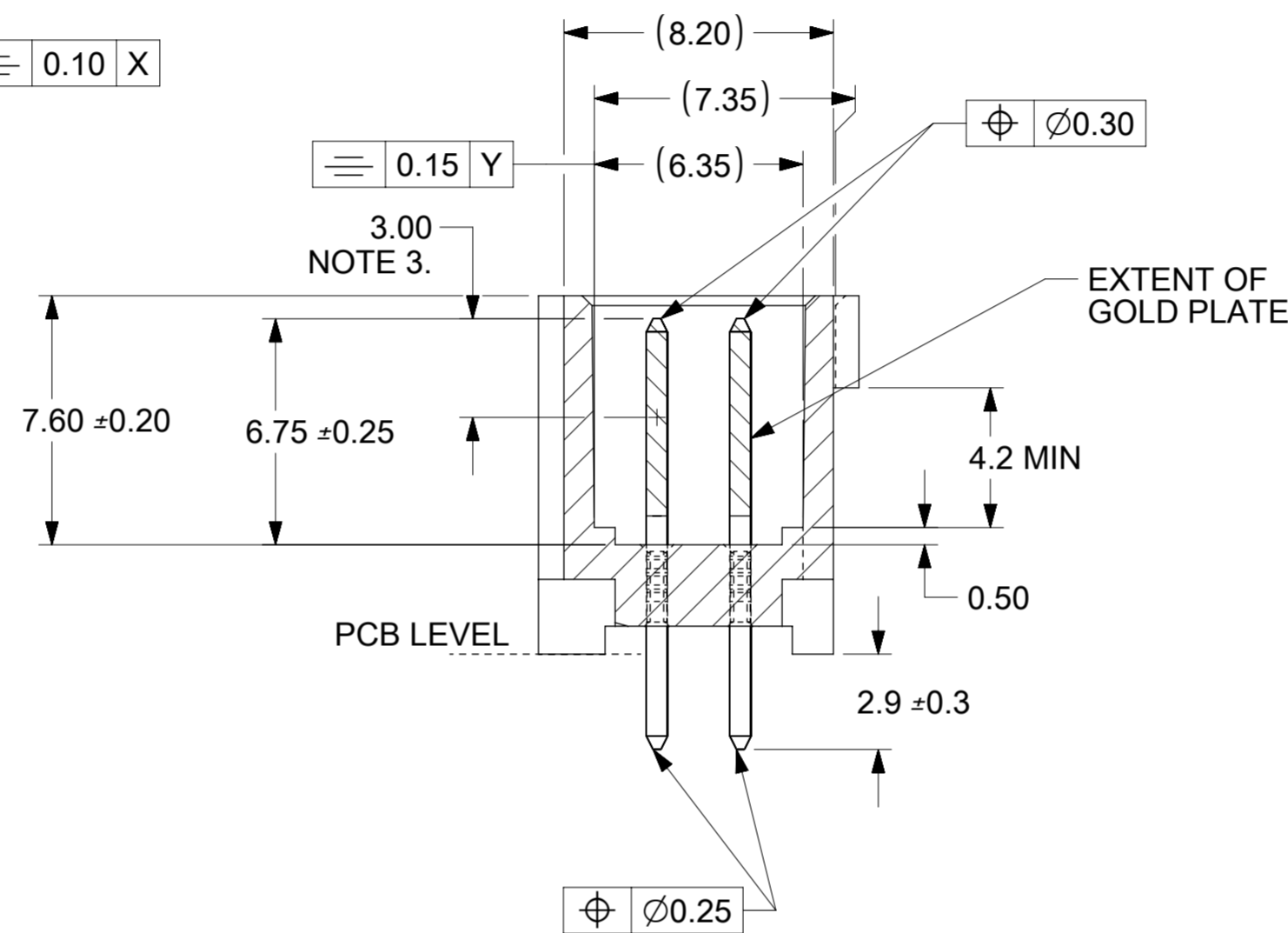
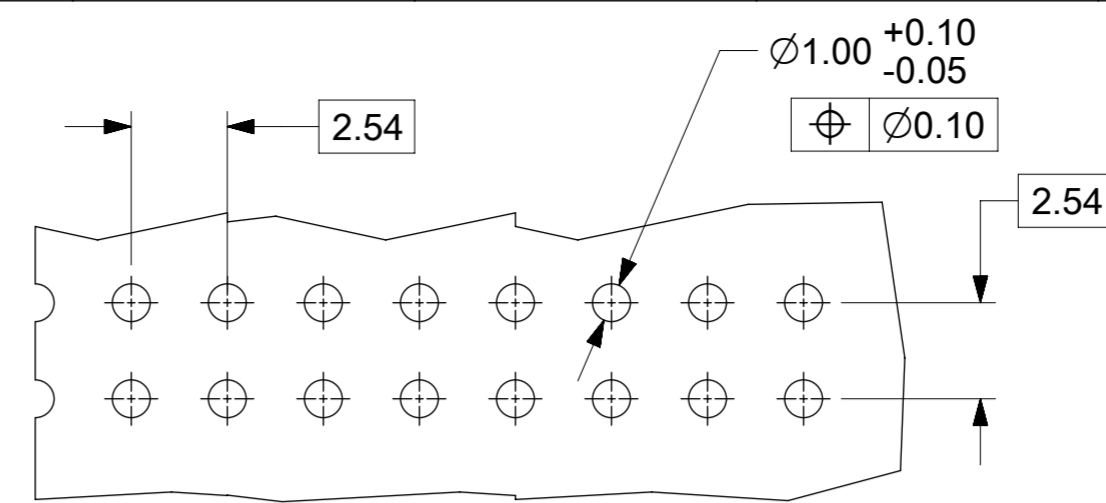
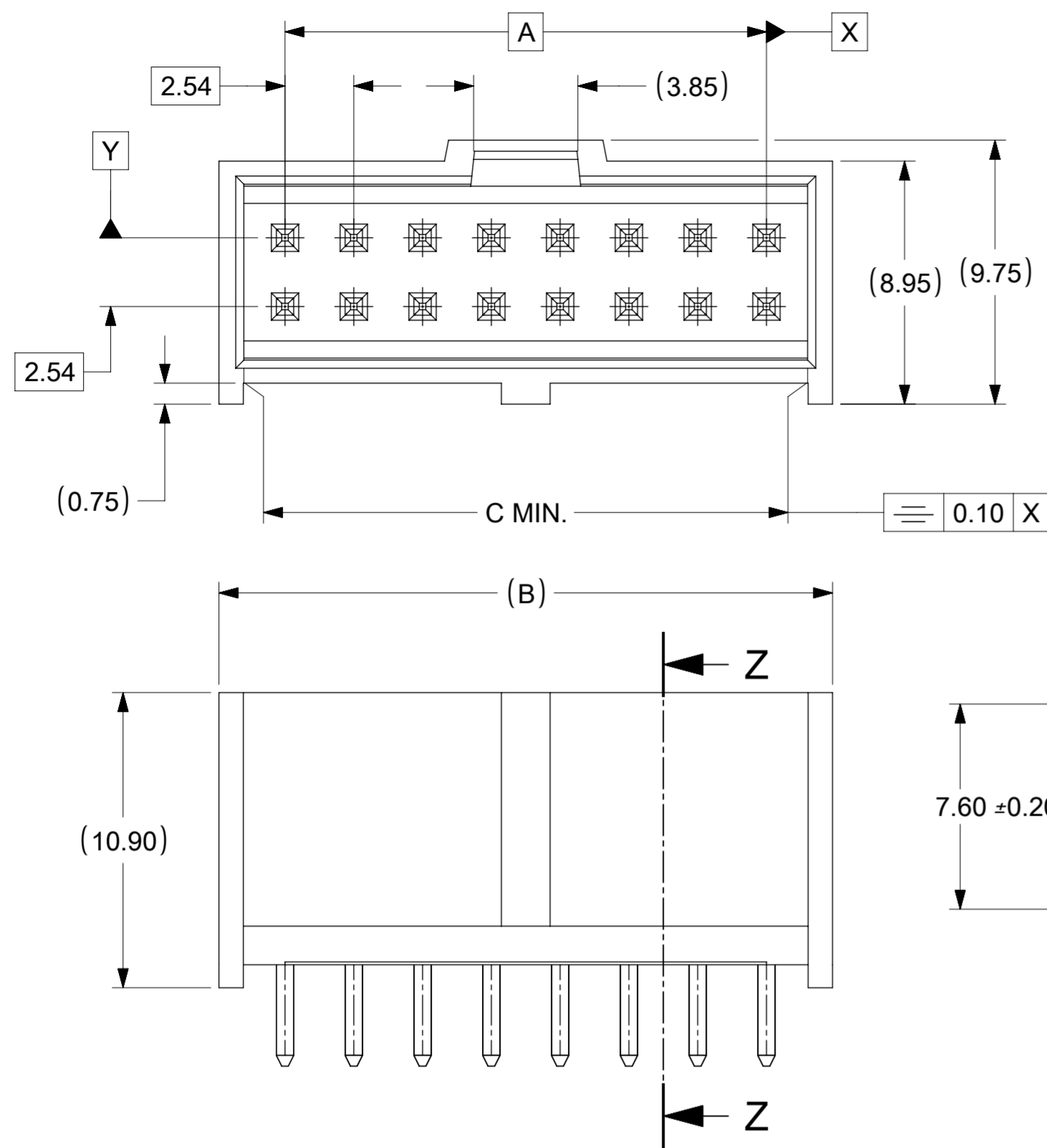


HSG CKT SIZE	PART NUMBER	DIM A	DIM B
6	91814-3106	5.08	9.96
8	91814-3108	7.62	12.50
10	91814-3110	10.16	15.04
12	91814-3112	12.70	17.58
14	91814-3114	15.24	20.12
16	91814-3116	17.78	22.66
18	91814-3118	20.32	25.20
20	91814-3120	22.86	27.74
22	91814-3122	25.40	30.28
24	91814-3124	27.94	32.82
26	91814-3126	30.48	35.36
28	91814-3128	33.02	37.90
30	91814-3130	35.56	40.44
32	91814-3132	38.10	42.98
34	91814-3134	40.64	45.52
36	91814-3136	43.18	48.06
38	91814-3138	45.72	50.60
40	91814-3140	48.26	53.14
42	91814-3142	50.80	55.68
44	91814-3144	53.34	58.22
46	91814-3146	55.88	60.76
48	91814-3148	58.42	63.30
50	91814-3150	60.96	65.84

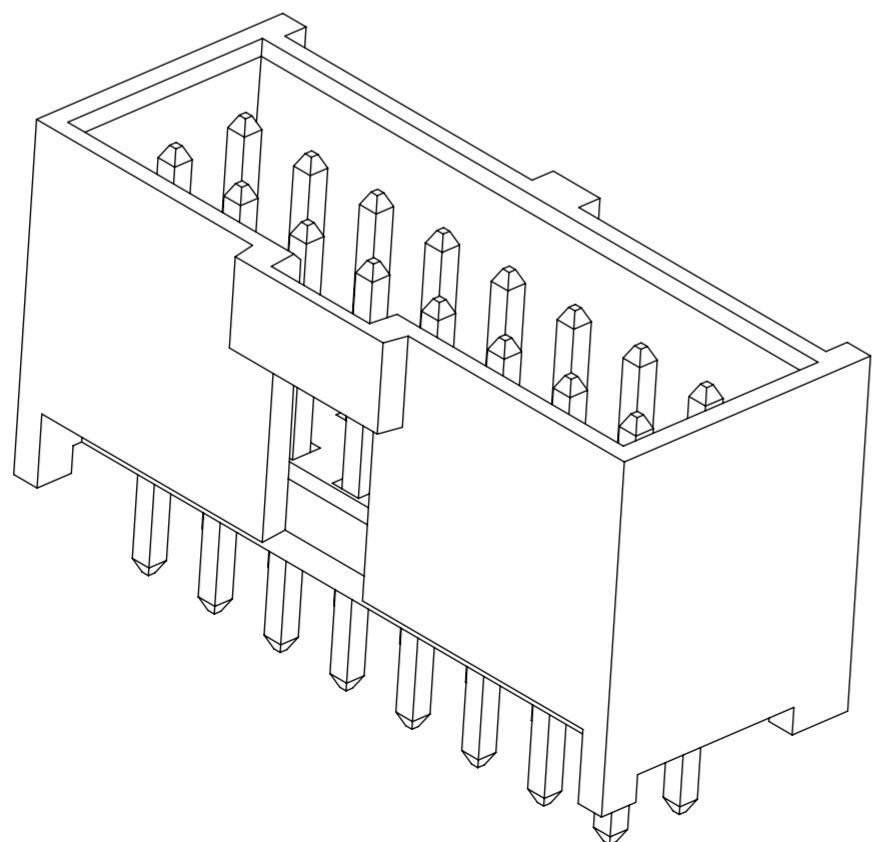
**NOTES:**

- MATERIAL:  
PIN: 0.647 REF SQ. BRASS WIRE.  
HOUSING: (PCT) 30% GLASS FILLED POLYESTER UL 94 V-0  
COLOUR: BLACK
- PLATING:  
TIN 3.0µm MIN. OVER NICKEL.
- PIN RETENTION FORCE 20N MIN. IN BOTH DIRECTIONS.
- HOUSING FLASH PERMISSIBLE IN THIS AREA.
- PRODUCT SPECIFICATION: PS-99020-0001
- PCB THICKNESS 1.6MM

MODIFIED PIN DIM ADDED REF. DIMS EC NO: E2008-0144 DRWN: DBYRNES 2008/04/10 CHKD: DWALLACE 2008/04/11 APPR: JWALLACE 2008/04/11	QUALITY SYMBOLS ▽=0 ▽=0	GENERAL TOLERANCES (UNLESS SPECIFIED) <table border="1"> <tr><th colspan="2">mm</th><th>INCH</th></tr> <tr><td>4 PLACES</td><td>± ---</td><td>± ---</td></tr> <tr><td>3 PLACES</td><td>± ---</td><td>± ---</td></tr> <tr><td>2 PLACES</td><td>± 0.15</td><td>± ---</td></tr> <tr><td>1 PLACE</td><td>± 0.25</td><td>± ---</td></tr> </table> ANGULAR ± .5 °	mm		INCH	4 PLACES	± ---	± ---	3 PLACES	± ---	± ---	2 PLACES	± 0.15	± ---	1 PLACE	± 0.25	± ---	DIMENSION STYLE <b>MM ONLY</b> DRAWN BY DATE DWASZKIEWICZ 2006/06/15 CHECKED BY DATE J DENNEHY 2006/09/29 APPROVED BY DATE J DENNEHY 2006/09/29	SCALE <b>5:1</b> DESIGN UNITS <b>METRIC</b> THIRD ANGLE PROJECTION	TITLE <b>C-GRID III DUAL ROW          R/A PIN SHROUDED          HEADER ROHS COMPATIBLE</b> MOLEX INCORPORATED	MATERIAL NO. <b>SEE CHART</b> DOCUMENT NO. <b>SD-91814-001</b> SHEET NO. <b>1 OF 1</b>
	mm		INCH																		
4 PLACES	± ---	± ---																			
3 PLACES	± ---	± ---																			
2 PLACES	± 0.15	± ---																			
1 PLACE	± 0.25	± ---																			
DRAFT WHERE APPLICABLE MUST REMAIN WITHIN DIMENSIONS	THIS DRAWING CONTAINS INFORMATION THAT IS PROPRIETARY TO MOLEX INCORPORATED AND SHOULD NOT BE USED WITHOUT WRITTEN PERMISSION																				



CKT SIZE.	DIM A	DIM B	DIM C
6	5.08	9.96	8.12
8	7.62	12.50	10.66
10	10.16	15.04	13.20
12	12.70	17.58	15.74
14	15.24	20.12	18.28
16	17.78	22.66	20.82
18	20.32	25.20	23.36
20	22.86	27.74	25.90
22	25.40	30.28	28.44
24	27.94	32.82	30.98
26	30.48	35.36	33.52
28	33.02	37.90	36.06
30	35.56	40.44	38.60
32	38.10	42.98	41.14
34	40.64	45.52	43.68
36	43.18	48.06	46.22
38	45.72	50.60	48.76
40	48.26	53.14	51.30
42	50.80	55.68	53.84
44	53.34	58.22	56.38
46	55.88	60.76	58.92
48	58.42	63.30	61.46
50	60.96	65.84	64.00



- NOTES:
- MATERIAL:  
 PIN: 0.647 REF SQ. BRASS WIRE.  
 HOUSING: GLASS FILLED POLYESTER (PCT) UL 94-VO  
 COLOUR: BLACK  
 PLATING: SEE SHEET 2
  - PIN RETENTION FORCE 20N IN BOTH DIRECTIONS.
  - MEASUREMENT POINT FOR MINIMUM PLATING THICKNESS.
  - RECOMMENDED PCB THICKNESS 1.6mm
  - PRODUCT SPECIFICATION: PS-99020-0001

THIS DRAWING CONTAINS INFORMATION THAT IS PROPRIETARY TO MOLEX ELECTRONIC TECHNOLOGIES, LLC AND SHOULD NOT BE USED WITHOUT WRITTEN PERMISSION

DIMENSION UNITS <b>mm</b>	SCALE <b>5:1</b>	CURRENT REV DESC: REDRAWN AND REVISED		<b>molex</b>		
GENERAL TOLERANCES (UNLESS SPECIFIED)		EC NO: 610890				
4 PLACES ±	MM INCH	DRWN: RMV02	2018/07/18	PRODUCT CUSTOMER DRAWING		
3 PLACES ±		CHK'D: NMANE02	2019/01/23	DOCUMENT NUMBER		
2 PLACES ± 0.15		APPR: ISHWARG	2019/01/28	SD-91814-002		
1 PLACE ± 0.25		INITIAL REVISION:		DOC TYPE	DOC PART	REVISION
0 PLACES ±		DRWN: DBYRNES	2007/07/26	PSD	001	B
ANGULAR TOL ± 0.5°		APPR: EOMAHONY	2007/07/27	SERIES		
DRAFT WHERE APPLICABLE MUST REMAIN WITHIN DIMENSIONS	THIRD ANGLE PROJECTION	DRAWING	SERIES	MATERIAL NUMBER	CUSTOMER	SHEET NUMBER
		A2-SIZE	91814	SEE CHARTS	GENERAL MARKET	1 OF 2

NO OF CKTS	PART NUMBER		
	PLATING TYPE A	PLATING TYPE B	PLATING TYPE C
6	91814-1106	91814-1206	91814-1306
8	91814-1108	91814-1208	91814-1308
10	91814-1110	91814-1210	91814-1310
12	91814-1112	91814-1212	91814-1312
14	91814-1114	91814-1214	91814-1314
16	91814-1116	91814-1216	91814-1316
18	91814-1118	91814-1218	91814-1318
20	91814-1120	91814-1220	91814-1320
22	91814-1122	91814-1222	91814-1322
24	91814-1124	91814-1224	91814-1324
26	91814-1126	91814-1226	91814-1326
28	91814-1128	91814-1228	91814-1328
30	91814-1130	91814-1230	91814-1330
32	91814-1132	91814-1232	91814-1332
34	91814-1134	91814-1234	91814-1334
36	91814-1136	91814-1236	91814-1336
38	91814-1138	91814-1238	91814-1338
40	91814-1140	91814-1240	91814-1340
42	91814-1142	91814-1242	91814-1342
44	91814-1144	91814-1244	91814-1344
46	91814-1146	91814-1246	91814-1346
48	91814-1148	91814-1248	91814-1348
50	91814-1150	91814-1250	91814-1350

NOTES:

1- FOR ASSY SEE SHEET 1.

2- PLATING DETAILS:

1. TYPE-"A"

TIN 3.0um MIN. OVER 1.27um - 2.54um NICKEL

2. TYPE-"B"

GOLD PLATE 0.38 - 0.64um IN SELECTED AREA

& 3.0um MIN, - 5.0 MAX. TIN IN SELECTED AREA

OVER 1.3 - 2.5um NICKEL OVERALL

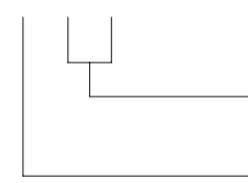
3. TYPE- "C"

SELECTIVE GOLD PLATE 0.762 - 1.02um

GOLD IN SELECTED AREA & 3.0um MIN.- 5.0um m=MAX. TIN

IN SELECTIVE AREA OVER 1.3 - 2.5um NICKEL OVERALL

91814-1 \* \* \*



INDICATES CIRCUIT HSG SIZE

PLATING

1- TYPE "A"

2- TYPE "B"

3- TYPE "C"

THIS DRAWING CONTAINS INFORMATION THAT IS PROPRIETARY TO MOLEX ELECTRONIC TECHNOLOGIES, LLC AND SHOULD NOT BE USED WITHOUT WRITTEN PERMISSION									
DIMENSION UNITS		SCALE		CURRENT REV DESC: REDRAWN AND REVISED				<b>molex</b>	
mm		1:1							
GENERAL TOLERANCES (UNLESS SPECIFIED)				EC NO: 610890				C-GRID III DUAL ROW T/HOLE SHROUDED HEADER ROHS COMPATIBLE	
		MM	INCH	DRWN: RMV02 2018/07/18					
4 PLACES		±	±	CHK'D: NMANE02 2019/01/23				PRODUCT CUSTOMER DRAWING	
3 PLACES		±	±	APPR: ISHWARG 2019/01/28					
2 PLACES		± 0.15	±	INITIAL REVISION:				DOCUMENT NUMBER	
1 PLACE		± 0.25	±	DRWN: DBYRNES 2007/07/26				SD-91814-002	
0 PLACES		±	±	APPR: EOMAHONY 2007/07/27				PSD 001 B	
ANGULAR TOL		± 0.5 °		THIRD ANGLE PROJECTION		DRAWING		SHEET NUMBER	
DRAFT WHERE APPLICABLE MUST REMAIN WITHIN DIMENSIONS				A2-SIZE		SERIES 91814		2 OF 2	
MATERIAL NUMBER		CUSTOMER		SEE CHARTS		GENERAL MARKET			