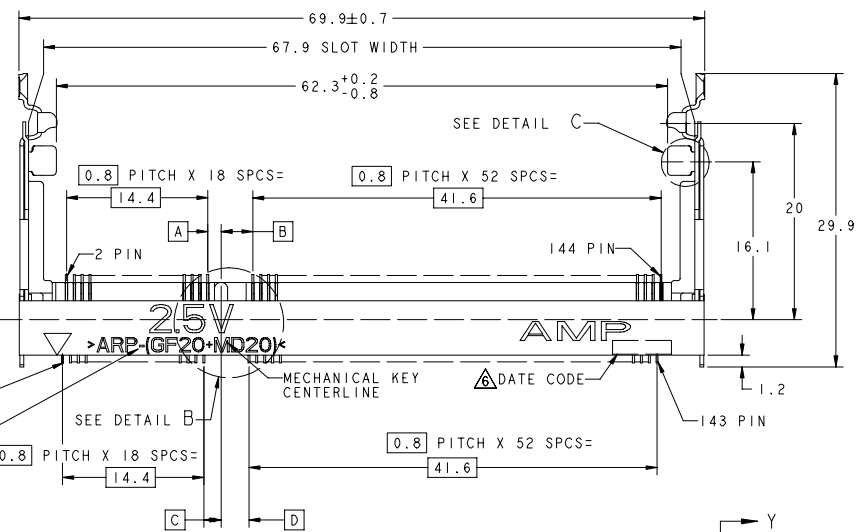
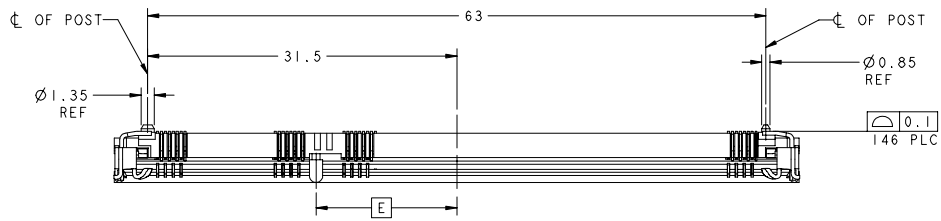
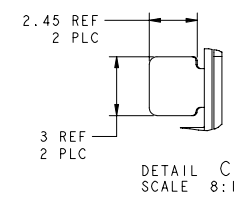
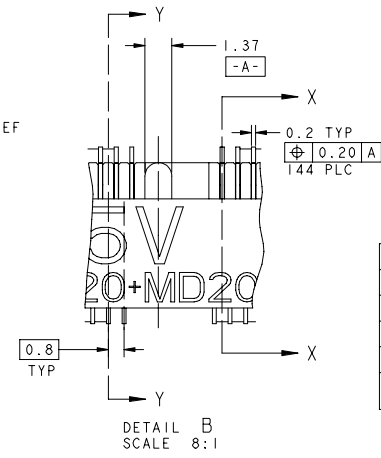
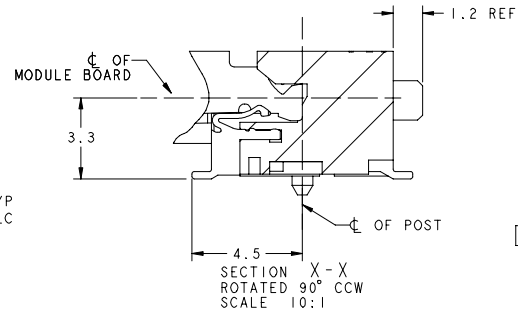
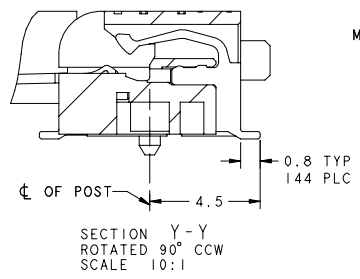
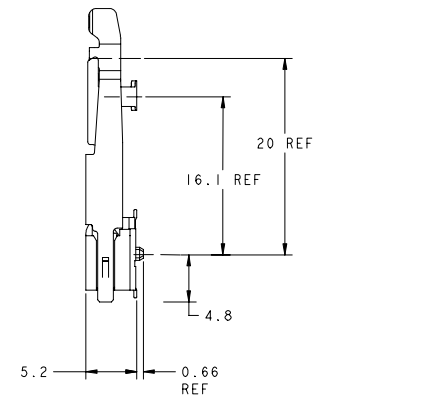


REV	DATE	DESCRIPTION	BY	CHK
A3		REVISED PER ECR-22-128878		



- △ MATERIAL:
HOUSING: HIGH TEMPERATURE PLASTIC, UL94V-0, NAT.
CONTACT: COPPER ALLOY
LATCH: SUS301 STAINLESS STEEL
- △ FINISH:
CONTACT AREA: 0.00025 MIN GOLD ON
0.001 MIN ALL OVER NICKEL
SOLDERING AREA: 0.00005 MIN TO 0.00030 MAX GOLD.
LATCH: TIN.
- 3. TOLERANCES NON-ACCUMULATIVE.
- △ PART PACKAGED IN TAPE & REEL AS PER EIA-18754 STANDARD.
REEL DIAMETER SHALL BE 330mm, AND
TAPE WIDTH SHALL BE 88mm, AND
TAPE PITCH SHALL BE 36mm.
- 5. COMPLIES WITH JEDEC SOCKET OUTLINE SO-008.
- △ DATE CODE (4-DIGITS), LOCATED AS SHOWN.
TO BE INTERPRETED AS FOLLOWS:
DIGIT # 1 - LAST DIGIT OF YEAR.
DIGITS # 2 AND # 3 - CALENDAR WEEK.
DIGIT # 4 - DAY OF THE WEEK (WITH SUNDAYS AS DAY 1).

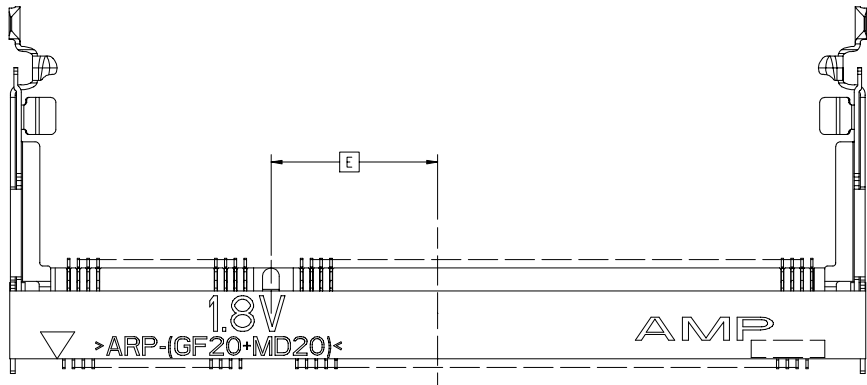


X-1735251-1 AS SHOWN

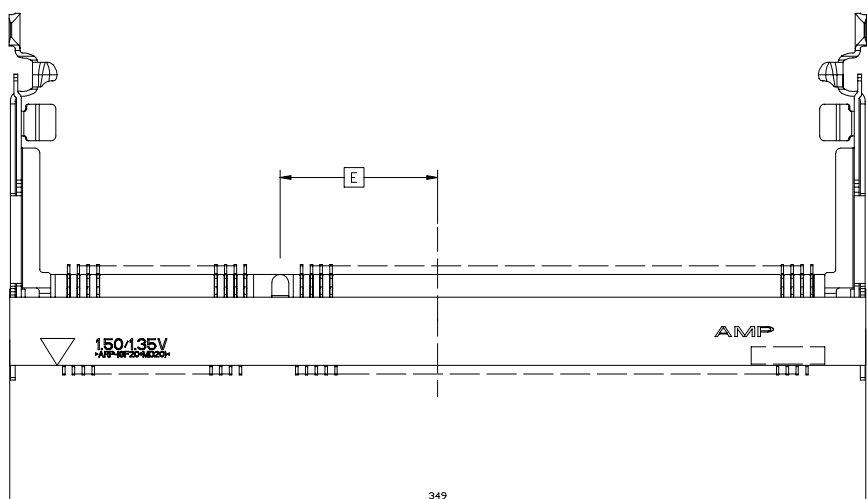
TAPE & REEL	12.85	1.35	3.25	1.75	2.85	AC	144	1-1735251-3
TAPE & REEL	13.60	2.10	2.5	2.5	2.10	1.50/1.35V (DDR3)	144	1-1735251-2
SOFT TRAY	12.85	1.35	3.25	1.75	2.85	1.8V (DDR2)	144	1735251-3
SOFT TRAY	13.60	2.10	2.5	2.5	2.10	1.50/1.35V (DDR3)	144	1735251-2
SOFT TRAY	14.35	2.85	1.75	3.25	1.35	1.8V (DDR2)	144	1735251-1
PACKAGING	DIM E	DIM D	DIM C	DIM B	DIM A	2.5V (DDR1)	144	1735251-1
						VARIATION VOLTAGE (DDR TYPE)	POS	PART NUMBER

SIN DIMENSIONS: mm		DIMENSIONS: INCHES		SYMBOLS: SEE LEONG		PART NO: 108-1739		APPLICATION SPEC: I14-1114		MATERIAL: AL		SCALE: 2:1		SHEET: 1 OF 3		REV: A3	
MATERIAL: AL										SCALE: 2:1		SHEET: 1 OF 3		REV: A3			

REVISES		REVISIONS		
LOC	BY	DATE	DESCRIPTION	BY
DY	-	-	SEE SHEET 1	-



X-1735251-2 AS SHOWN



X-1735251-3 AS SHOWN

349

<small>THIS DRAWING IS UNPUBLISHED. RELEASED FOR PUBLICATION. ALL RIGHTS RESERVED. BY AMP INCORPORATED.</small>		DESIGNED BY: MYLEE ZSMATOS DRAWN BY: Y. J. SEE	TE CONNECTIVITY Singapore
DIMENSIONS: mm DIMENSIONS UNLESS OTHERWISE SPECIFIED: mm TOLERANCES UNLESS OTHERWISE SPECIFIED:	DIMENSIONS: mm DIMENSIONS UNLESS OTHERWISE SPECIFIED: mm TOLERANCES UNLESS OTHERWISE SPECIFIED: mm	DATE: 10-17-99 PROJECT SPEC: 108-1739 APPLICATION SPEC: 114-1114 REVISION:	NAME: S.O. DIMM SOCKET, 0.8mm PITCH, 144 POSITION, STD PROFILE SIZE: A1 CASE CODE: 00779 DRAWING NO: ©-1735251
MATERIAL:		CUSTOMER DRAWING	SCALE: 2:1 SHEET 2 OF 3 REV A3

