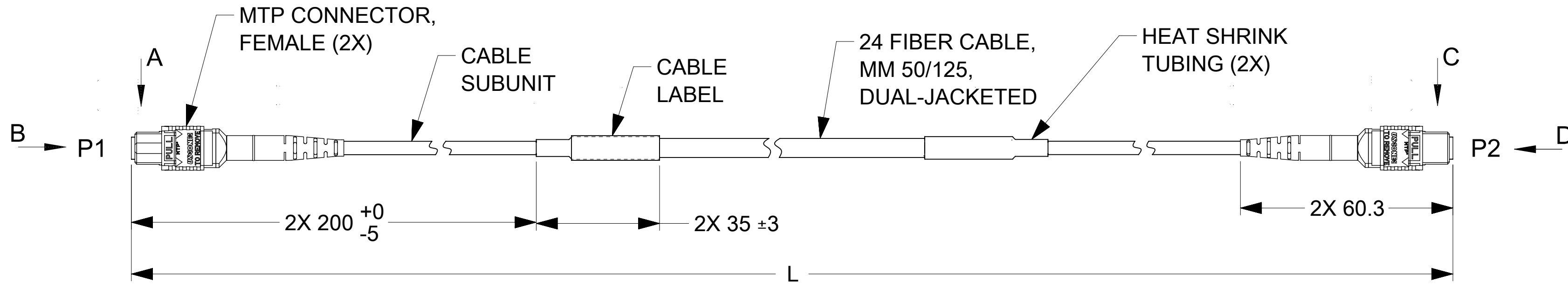
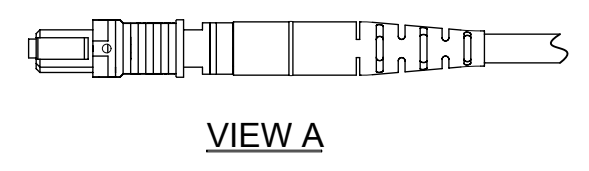


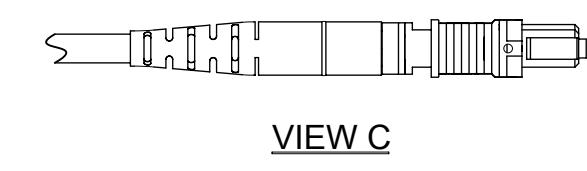
SINGLE JACKET ASSEMBLY



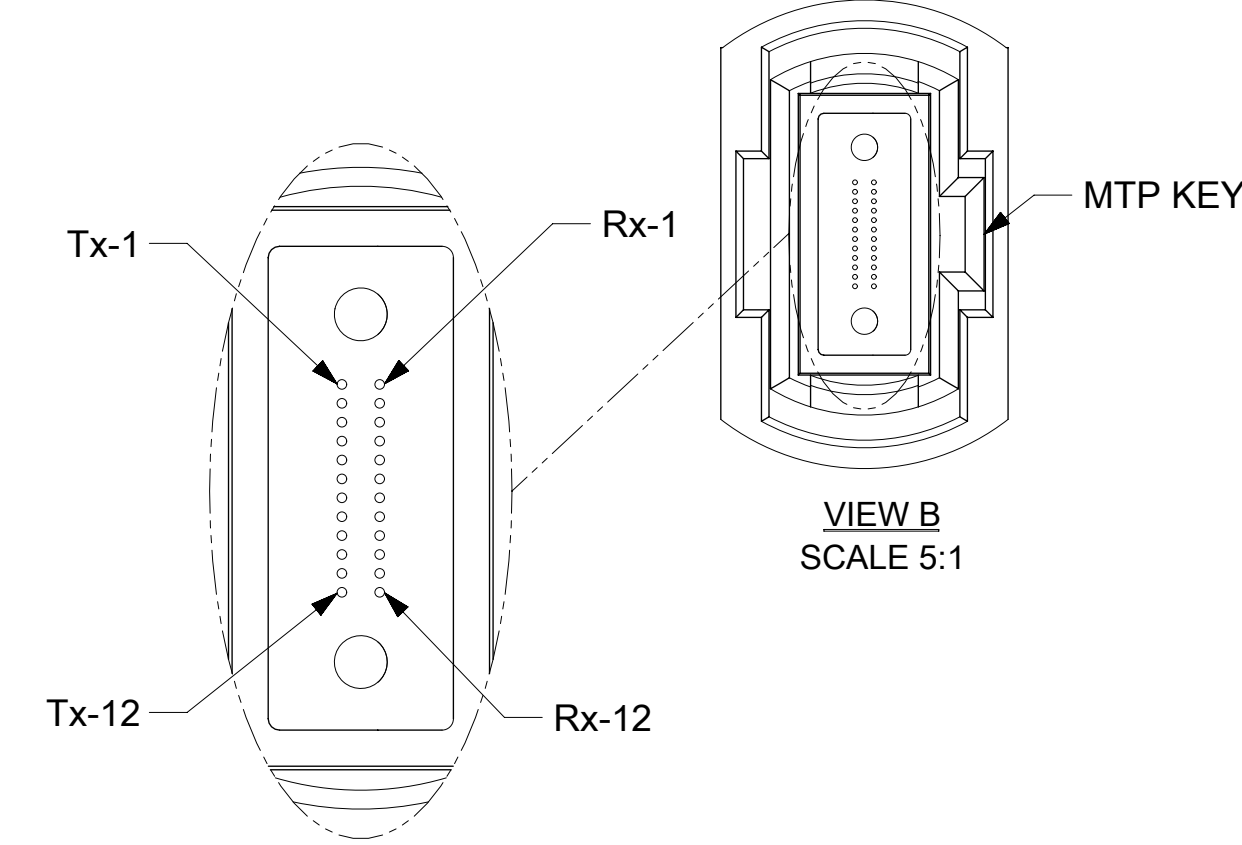
DUAL JACKET ASSEMBLY



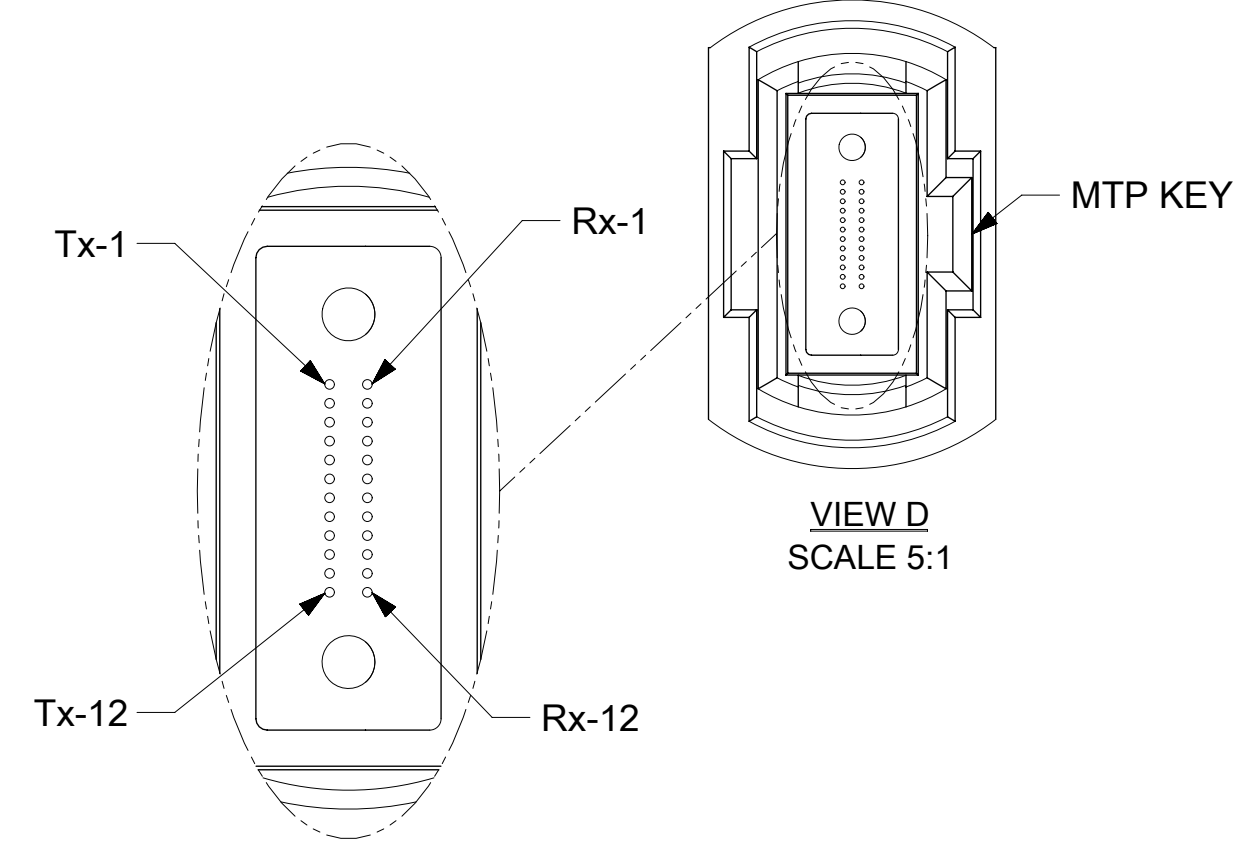
VIEW A



VIEW C



VIEW B  
SCALE 5:1



VIEW D  
SCALE 5:1

FOR PART NUMBERS SEE SH. 2

CONNECTIONS	
FROM P1	TO P2
Rx-1	Tx-1
Rx-2	Tx-2
Rx-3	Tx-3
Rx-4	Tx-4
Rx-5	Tx-5
Rx-6	Tx-6
Rx-7	Tx-7
Rx-8	Tx-8
Rx-9	Tx-9
Rx-10	Tx-10
Rx-11	Tx-11
Rx-12	Tx-12
Tx-1	Rx-1
Tx-2	Rx-2
Tx-3	Rx-3
Tx-4	Rx-4
Tx-5	Rx-5
Tx-6	Rx-6
Tx-7	Rx-7
Tx-8	Rx-8
Tx-9	Rx-9
Tx-10	Rx-10
Tx-11	Rx-11
Tx-12	Rx-12

NOTES:

1. CABLE ASSEMBLY SPECIFICATIONS:

OPTICAL PROPERTIES	
FIBER TYPE	MULTIMODE 50/125 μm BEND-INSENSITIVE
CONNECTOR INSERTION LOSS (MAX.)	1.0 dB AT 850/1300 nm
CABLE ATTENUATION (MAX.)	
OM2 & OM3	3.5/1.2 dB/km AT 850/1300 nm
OM4	3.0/1.0 dB/km AT 850/1300 nm
OVERFILLED LAUNCH BANDWIDTH, MIN.	SEE TABLE 1
ENVIRONMENTAL PROPERTIES	
CONNECTOR MATERIALS	UL94 V-0
CABLE FLAMMABILITY RATING	
PLENUM	OFNP (NFPA262/UL 910)
LSZH (IEC 60754-2)	OFNR-LS/FT4 (UL 1666/UL 1685)
OPERATING TEMPERATURE RANGE	-20°C TO +70°C
MECHANICAL PROPERTIES	
FIBER COUNT	4 Tx X 4 Rx
CABLE MIN. BEND RADIUS	
SHORT TERM	45mm - SINGLE JACKET 72mm - DUAL JACKET
LONG TERM	20mm - SINGLE JACKET 48mm - DUAL JACKET
NO LOAD	10mm - SINGLE JACKET OR SUBUNIT OF DUAL JACKET
CABLE COMPRESSION FORCE	>3.5 N/mm

2. CABLE LABEL IS PRINTED WITH MOLEX PN AND SERIAL NUMBER.

TABLE 1

FIBER TYPE	OVERFILLED LAUNCH BANDWIDTH, MIN. (MHz-km)		10 GIGABIT ETHERNET LINK DISTANCE, MIN. (m)		EFFECTIVE MODAL BANDWIDTH (MHz-km)
	850 nm	1300 nm	850 nm	1300 nm	850 nm
STANDARD BANDWIDTH (OM2)	500	500	86	---	---
HIGH BANDWIDTH (OM3)	1500	500	300	---	2000
HIGH BANDWIDTH (OM4)	3500	550	550	---	4700

THIS DRAWING CONTAINS INFORMATION THAT IS PROPRIETARY TO MOLEX ELECTRONIC TECHNOLOGIES, LLC AND SHOULD NOT BE USED WITHOUT WRITTEN PERMISSION

DIMENSION UNITS	SCALE	CURRENT REV DESC:		<p>MOLEX CXP OPTICAL CABLE ASSEMBLY</p> <p>PRODUCT CUSTOMER DRAWING</p>
mm	1:1			
GENERAL TOLERANCES (UNLESS SPECIFIED)				
ANGULAR TOL ± 0.5°				
4 PLACES ±	EC NO: 747900			
3 PLACES ±	DRWN: IGUMIN 2023/04/14			
2 PLACES ±	CHK'D: GGANCHANOK 2023/05/18			
1 PLACE ±	APPR: GGANCHANOK 2023/05/18			
0 PLACES ±	INITIAL REVISION:			
DRAFT WHERE APPLICABLE MUST REMAIN WITHIN DIMENSIONS		DRWN: IGUMIN 2009/01/16	2009/01/16	
THIRD ANGLE PROJECTION		APPR: IGUMIN		
DRAWING		SERIES	MATERIAL NUMBER	
D-SIZE		106284	SEE TABLE	
CUSTOMER		GENERAL MARKET		
DOCUMENT NUMBER		DOC TYPE	DOC PART	
SD-106284-0001		PSD	001	
REVISION		H		
SHEET NUMBER		1 OF 2		

STANDARD BANDWIDTH (OM2 FIBER)			HIGH BANDWIDTH (OM3 FIBER)					HIGH BANDWIDTH (OM4 FIBER)					OVERALL LENGTH L (m)												
ASSY P/N	CABLE COLOR / OD FLAMMABILITY / TYPE	CONN. COLOR	ASSY P/N	CABLE COLOR / OD FLAMMABILITY / TYPE	CONN. COLOR	ASSY P/N	CABLE COLOR / OD FLAMMABILITY / TYPE	CONN. COLOR	ASSY P/N	CABLE COLOR / OD FLAMMABILITY / TYPE	CONN. COLOR	ASSY P/N		CABLE COLOR / OD FLAMMABILITY / TYPE	CONN. COLOR										
1062840001	ORANGE / 3.8mm PLENUM / SINGLE JACKET	BLACK	1062841001	AQUA / 3.8mm PLENUM / SINGLE JACKET	AQUA	1062841401	AQUA / 3.0mm LSZH, RISER / SINGLE JACKET	AQUA	1062847001	AQUA / 3.8mm PLENUM / SINGLE JACKET	AQUA	1062847401	AQUA / 3.0mm LSZH, RISER / SINGLE JACKET	AQUA	1.0 +0.2/-0										
1062840151			TBA			1062841402			TBA			1062847002			TBA	1062847402	1.5 +0.2/-0								
1062840002			1062841002			1062841403			1062847003			1062847403			2.0 +0.2/-0										
1062840003			1062841003			TBA			1062847004			TBA			3.0 +0.2/-0										
1062840004			1062841004			1062841405			1062847005			1062847405			4.0 +0.2/-0										
1062840005			1062841005			TBA			1062847006			TBA			5.0 +0.2/-0										
1062840006			1062841006			1062841407			1062847007			1062847407			6.0 +0.2/-0										
TBA			1062841007			TBA			1062847008			TBA			7.0 +0.2/-0										
1062840008			1062841008			1062841410			1062847010			1062847410			8.0 +0.2/-0										
1062840010			1062841010			TBA			1062847012			TBA			10.0 +0.3/-0										
1062840012			1062841012			TBA			1062847015			TBA			12.0 +0.3/-0										
1062840015			1062841015			TBA			1062847020			TBA			15.0 +0.3/-0										
1062840020			1062841020			TBA			1062847025			TBA			20.0 +0.4/-0										
1062840025			1062841025			TBA			1062847030			TBA			25.0 +0.5/-0										
1062840030			ORANGE / 5.4mm PLENUM / DUAL JACKET			BLACK			1062841030			AQUA / 5.4mm PLENUM / DUAL JACKET			AQUA	TBA	TBA	AQUA	1062847035	AQUA / 5.4mm PLENUM / DUAL JACKET	AQUA	TBA	TBA	AQUA	30.0 +0.6/-0
1062840035									1062841035							TBA			1062847040			TBA			35.0 +0.7/-0
1062840040									1062841040							TBA			1062847045			TBA			40.0 +0.8/-0
1062840045									1062841045							TBA			1062847050			TBA			45.0 +0.9/-0
1062840050									1062841050							TBA			1062847055			TBA			50.0 +1.0/-0
1062840055									1062841055							TBA			1062847060			TBA			55.0 +1.1/-0
1062840060									1062841060							TBA			1062847065			TBA			60.0 +1.2/-0
1062840065									1062841065							TBA			1062847070			TBA			65.0 +1.3/-0
1062840070									1062841070							TBA			1062847075			TBA			70.0 +1.4/-0
1062840075									1062841075							TBA			1062847080			TBA			75.0 +1.5/-0
1062840080									1062841080							TBA			1062847085			TBA			80.0 +1.6/-0
1062840085	1062841085	TBA		1062847090	TBA		85.0 +1.7/-0																		
1062840090	1062841090	TBA		1062847095	TBA		90.0 +1.8/-0																		
1062840095	1062841095	TBA		1062847100	TBA		95.0 +1.9/-0																		
1062840100	1062841100	TBA		1062840150	TBA		100.0 +2.0/-0																		
1062840150	1062840150	TBA		1062847200	TBA		150.0 +3.0/-0																		
TBA	1062841200	TBA		1062847250	TBA		200.0 +4.0/-0																		
TBA	1062841250	TBA		1062847300	TBA		250.0 +5.0/-0																		
TBA	1062841300	TBA					300.0 +6.0/-0																		

THIS DRAWING CONTAINS INFORMATION THAT IS PROPRIETARY TO MOLEX ELECTRONIC TECHNOLOGIES, LLC AND SHOULD NOT BE USED WITHOUT WRITTEN PERMISSION									
DIMENSION UNITS <b>mm</b>	SCALE <b>1:1</b>	CURRENT REV DESC:			<b>molex</b>				
GENERAL TOLERANCES (UNLESS SPECIFIED)		EC NO: 747900							
ANGULAR TOL ± 0.5°	4 PLACES ±	DRWN: IGUMIN 2023/04/14			MOLEX CXP OPTICAL CABLE ASSEMBLY				
3 PLACES ±	CHK'D: GGENCHANOK 2023/05/18								
2 PLACES ±	APPR: GGENCHANOK 2023/05/18			PRODUCT CUSTOMER DRAWING					
1 PLACE ±	INITIAL REVISION:								
0 PLACES ±	DRWN: IGUMIN 2009/01/16			DOCUMENT NUMBER <b>SD-106284-0001</b>					
DRAFT WHERE APPLICABLE MUST REMAIN WITHIN DIMENSIONS			APPR: IGUMIN 2009/01/16						DOC TYPE PSD
THIRD ANGLE PROJECTION 		DRAWING <b>D-SIZE</b>	SERIES <b>106284</b>	MATERIAL NUMBER SEE TABLE	CUSTOMER GENERAL MARKET			SHEET NUMBER <b>2 OF 2</b>	