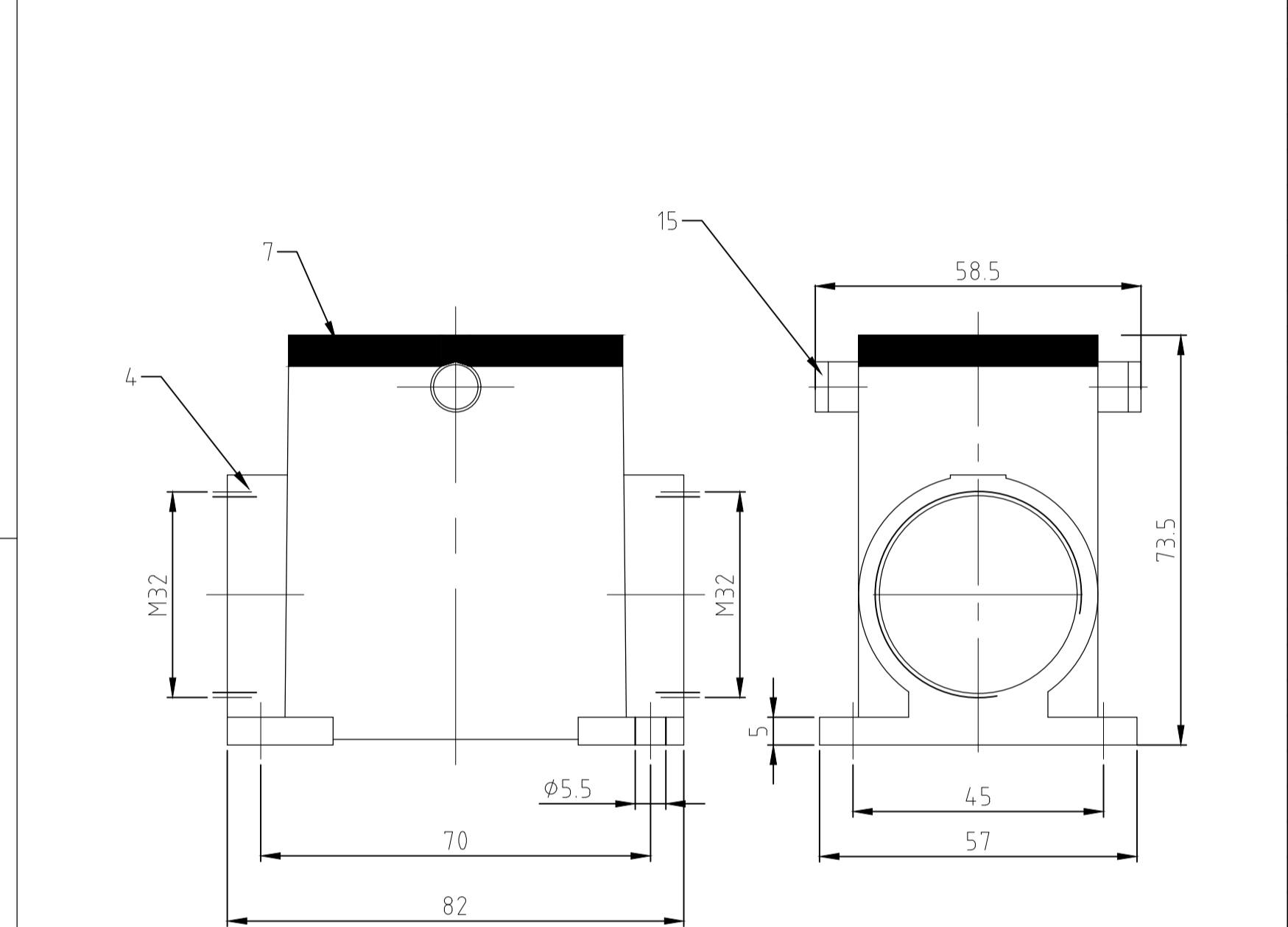
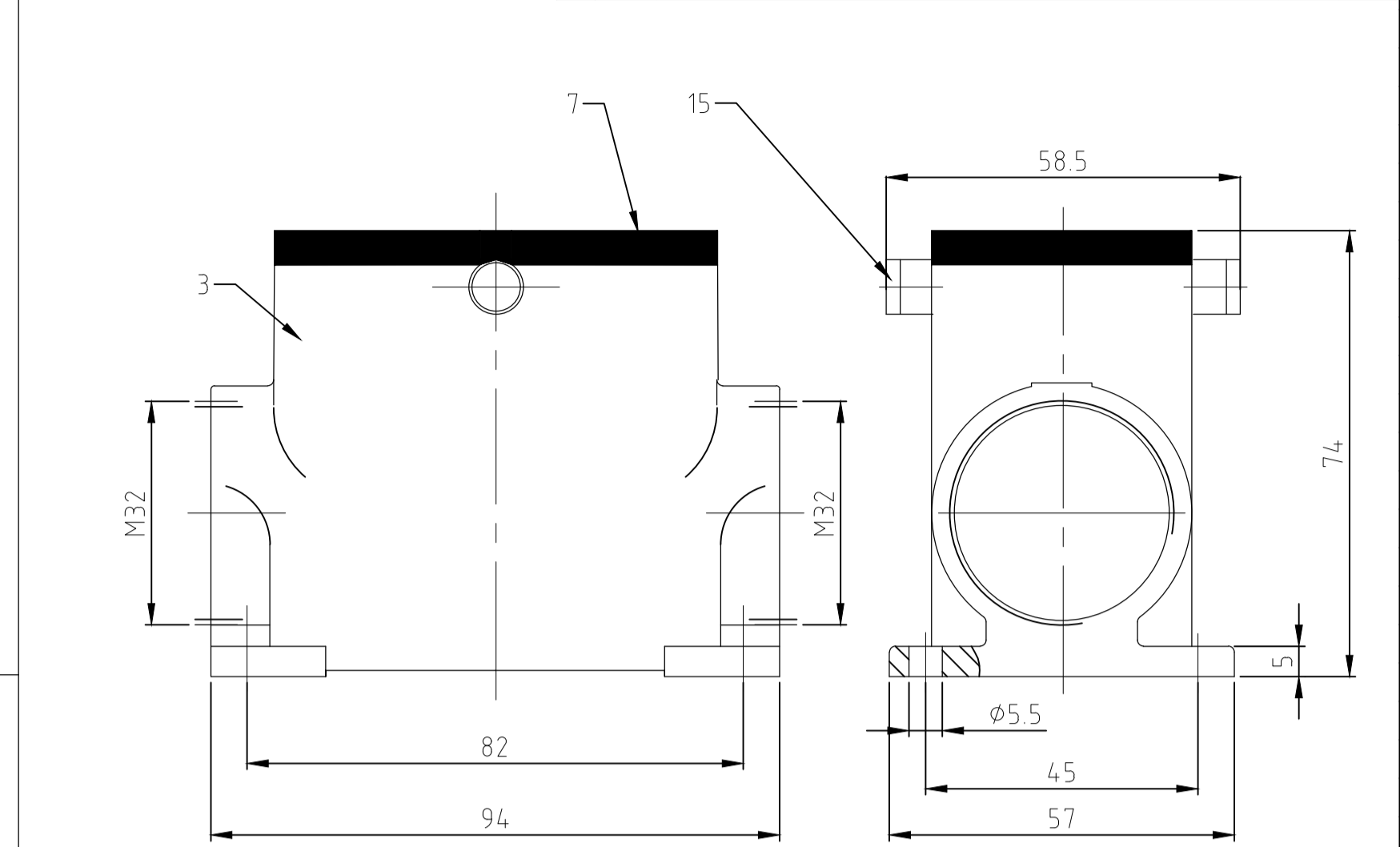


REVISIONS				
NO.	DATE	DESCRIPTION	BY	APPV.
A7	08FEB2018	REVISED PER ECR-17-014013	SRG	MKO



- NOTES:
- Material: Housing: aluminium diecasting alloy  
Seals: NEOPRENE
  - SURFACE: VARNISH- GREY  
- ALUMINIUM OXID +  
VARNISH BLACK
  - PACKAGING:  
PACKAGING QUANTITY: 5 PIECES
  - SPECIAL PACKAGING: Krauss-Maffei  
PACKAGING UNIT: 50 PIECES IN Krauss-Maffei-Box
  - WITHOUT HTS LOGO
  - VARNISH ON THE INSIDE NOT NECESSARILY

QTY	DESCRIPTION	MATERIAL	SURFACE	COLOR	FINISH	REMARKS
1	cover	aluminium/ALU		grau	20	ohne Logo
2	clip positioner	steel	verzinkt/zink plated	blue	19	
2	clip bolt	steel		blue	18	
1	Blanking Piece with Seal	steel		blue	17	M64
1	surface mounted housing side entry	aluminium/ALU		grau	16	ohne Logo
2	clip bolt	stainless steel			15	
2	clip bolt	steel	zink plated	blue	14	
1	side clip	stainless steel			13	
1	side clip	steel	zink plated	blue	12	
1	clip positioner	stainless steel			11	
2	clip positioner	steel	zink plated	blue	10	
2	clip bolt	stainless steel			9	
4	clip bolt	steel	zink plated	blue	8	
1	seal	Neoprene		schwarz	7	
1	cover	aluminium/ALU	aluminium oxid	schwarz	6	
1	cover	aluminium/ALU		grau	5	
1	surface mounted housing side entry	aluminium/ALU	aluminium oxid	schwarz	4	BG3
1	surface mounted housing side entry	aluminium/ALU	aluminium oxid	schwarz	3	BG4
1	surface mounted housing side entry	aluminium/ALU	aluminium oxid	schwarz	2	BG8
1	surface mounted housing side entry	aluminium/ALU		grau	1	