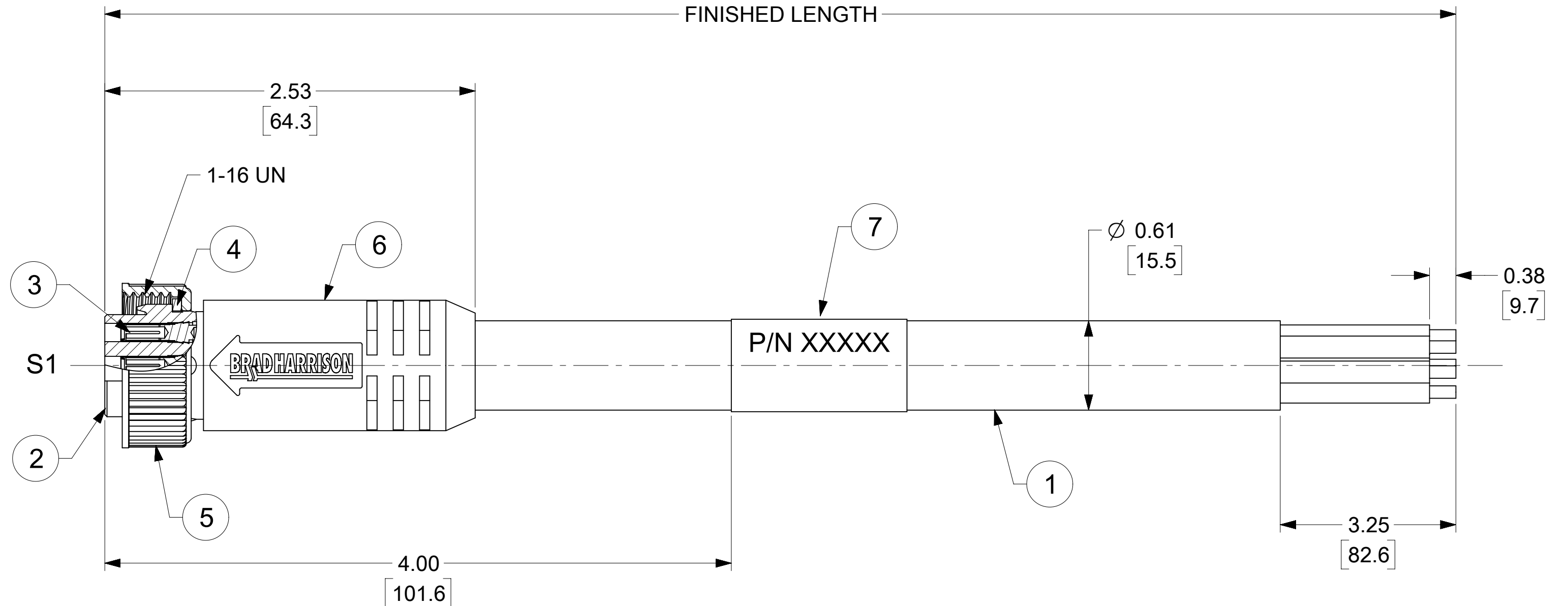
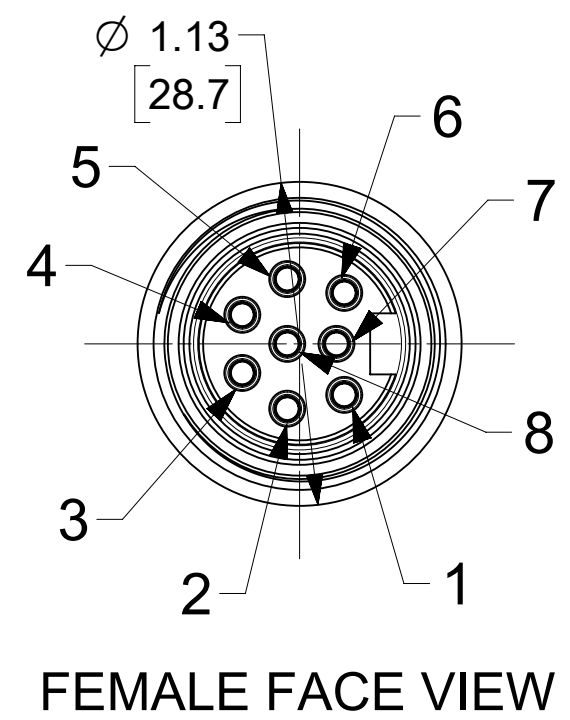
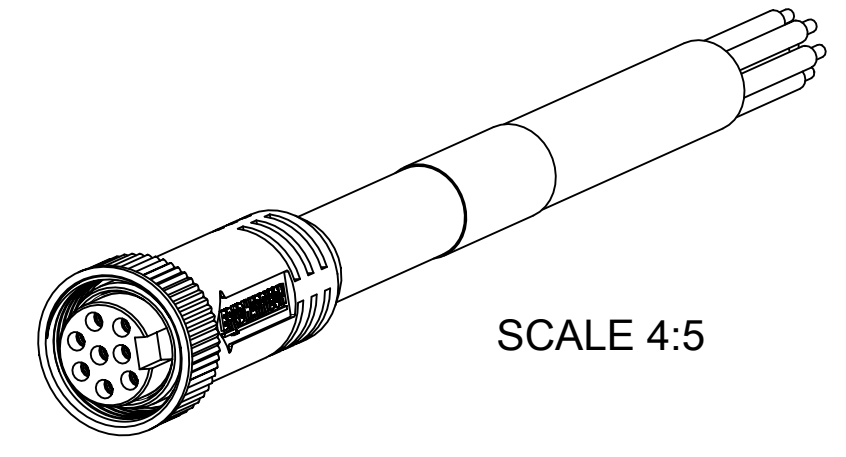


MATERIAL NO.	ENGINEERING NO.	FINISHED LENGTH
1300070139	208000A01F030	3 FT (0.91 M)
1300070142	208000A01F060	6 FT ( 1.82 M)
1300070145	208000A01F120	12 FT (3.65 M)
1300070149	208000A01F200	20 FT (6.09 M)

**CABLE LENGTH TOLERANCES**  
 <.3M [1FT]: +19mm-0 [ +.75in-0]  
 .3 - .9M [1 - 3FT]: +44.5mm-0 [+1.75in-0]  
 .9 - 1.8M [3 - 6FT]: +55.6mm-0 [+2.19in-0]  
 1.8 - 3.7M [6 - 12FT]: +88.9mm-0 [+3.50in-0]  
 3.7 - 7.3M [12 - 24FT]: +165.1mm-0 [+6.50in-0]  
 7.3-14.6M [24 - 48FT]: +317.5mm-0 [+12.50in-0]  
 14.6 - 30.5M [48-100FT]: +622.3mm-0 [+24.50in-0]  
 OVER 30M [100FT] +2% OF FINISHED LENGTH



- NOTES:**
- MATERIAL: AS NOTED
  - FINISH: AS NOTED
  - ELECTRICAL:  
 VOLTAGE: 320V PER IEC60664 (B)  
 600V PER UL2238  
 CURRENT: 7A
  - TEMP RATING: -20°C TO +105°C (B)
  - PROTECTION: IP67 (WHEN MATED)
  - CSA CERTIFIED FILE: LR6837 (B)
  - UL RECOGNIZED FILE: E152210
  - ALL DIMS ARE FOR REFERENCE UNLESS TOLERANCED OR NOTED OTHERWISE

**WIRING DIAGRAM**

S1	Color
1	ORANGE
2	BLUE
3	WHITE/BLACK
4	BLACK
5	WHITE
6	RED
7	GREEN/YELLOW
8	RED/BLACK

**PART NUMBER LEGEND (B)**

**208000A01F030**

FINISHED LENGTH  
 F001= .1 FT  
 F020= 2 FT  
 F200= 20 FT

ITEM	DESCRIPTION	MATERIAL	FINISH
7	WRAP LABEL	VINYL	BLACK/YELLOW (B)
6	OVERMOLD	TPE	YELLOW (B)
5	COUPLING NUT	ZINC DIE CAST	BLACK E-COAT (B)
4	FRICTION RING	NYLON	NATURAL
3	SOCKET CONTACT	Cu ALLOY	GOLD OVER NICKEL (B)
2	FEMALE INSERT	TPE	YELLOW
1	CABLE, 16-8, STOOV/ST	PVC JACKET	YELLOW
ITEM	DESCRIPTION	MATERIAL	FINISH

FUNCTIONAL SYMBOLS	THIS DRAWING CONTAINS INFORMATION THAT IS PROPRIETARY TO MOLEX ELECTRONIC TECHNOLOGIES, LLC AND SHOULD NOT BE USED WITHOUT WRITTEN PERMISSION			
	DIMENSION UNITS	SCALE	CURRENT REV DESC: UPDATED ITEM 2, 6 & 7 WERE PVC, ADDED CSA, UL, IEC VOLT, TEMP, IP RATING, TOL. CHART & PART NO. LEGEND. MODIFIED PN CHART.	
	INCH/MM	1:1	EC NO: 718076	
	GENERAL TOLERANCES (UNLESS SPECIFIED)		DRWN: VHANDI 2021/06/06	
DIVISIONAL SYMBOLS	4 PLACES	±	±	CHK'D: RSTONE 2022/08/18
	3 PLACES	±	±	APPR: BWOODMAN 2022/08/22
	2 PLACES	±	±	INITIAL REVISION:
	1 PLACE	±	±	DRWN: BRUPERT 2009/06/02
0 PLACES	±	±	APPR: JFMURPHY 2009/06/10	
ANGULAR TOL		±	°	THIRD ANGLE PROJECTION
DRAFT WHERE APPLICABLE MUST REMAIN WITHIN DIMENSIONS		DRAWING		SERIES
		C-SIZE		130007

MINI-CHANGE CORDSET, B SIZE 8 POLE, FEMALE, STRAIGHT, SINGLE KEY, 16 AWG		
PRODUCT CUSTOMER DRAWING		
DOCUMENT NUMBER	DOC TYPE	DOC PART
SD-130007-006	PSD	001
MATERIAL NUMBER	CUSTOMER	SHEET NUMBER
SEE TABLE	GENERAL MARKET	1 OF 1