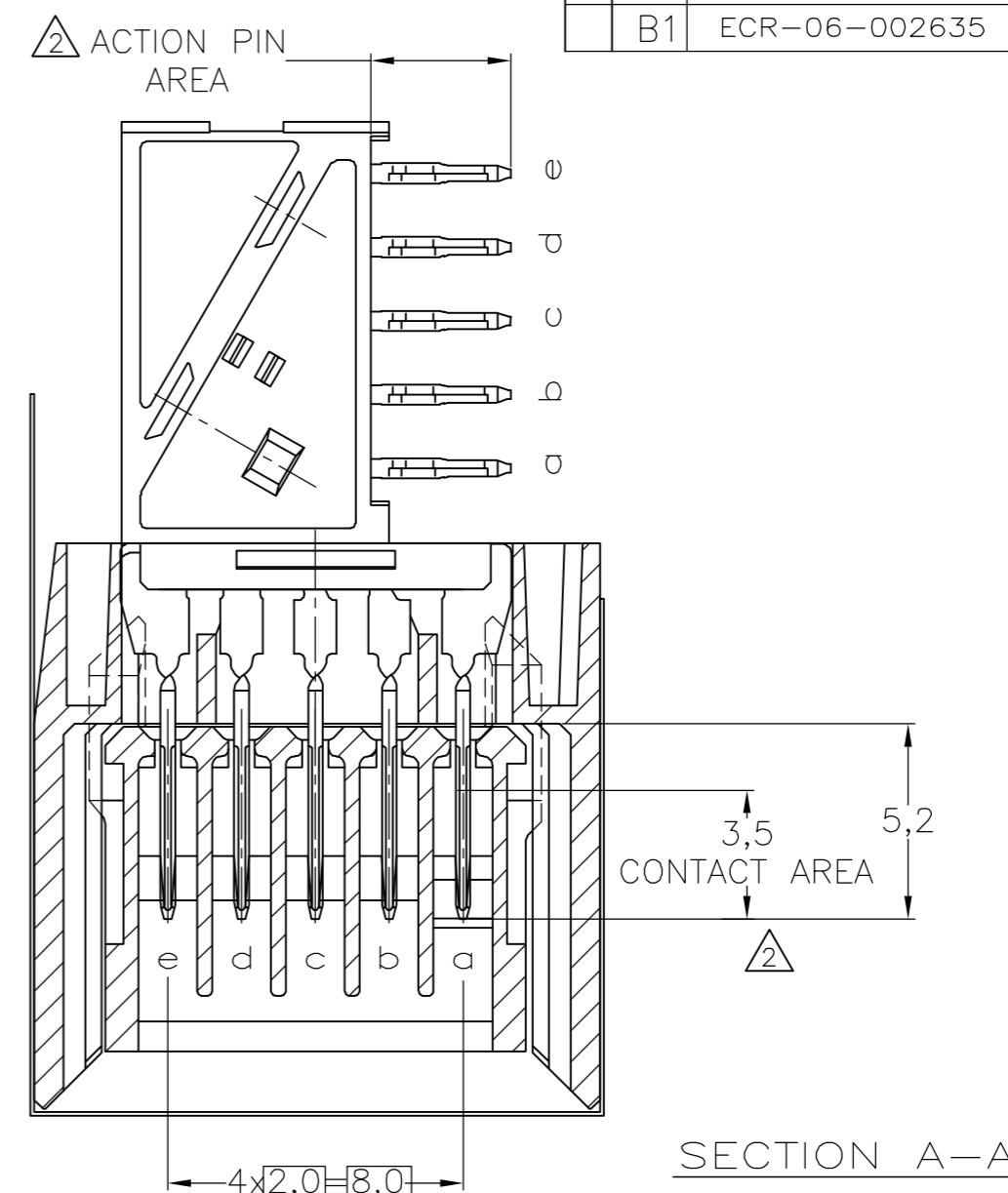
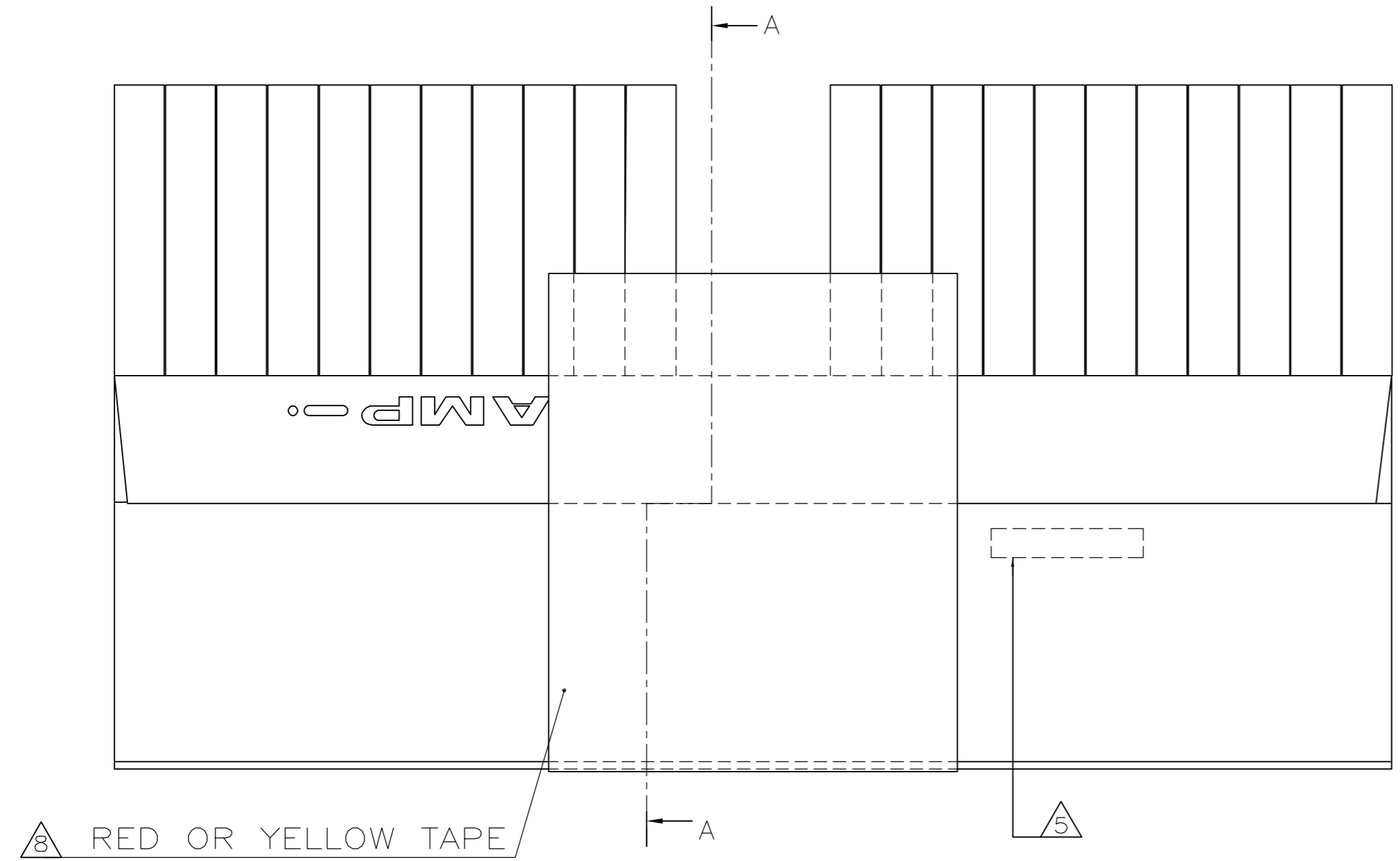
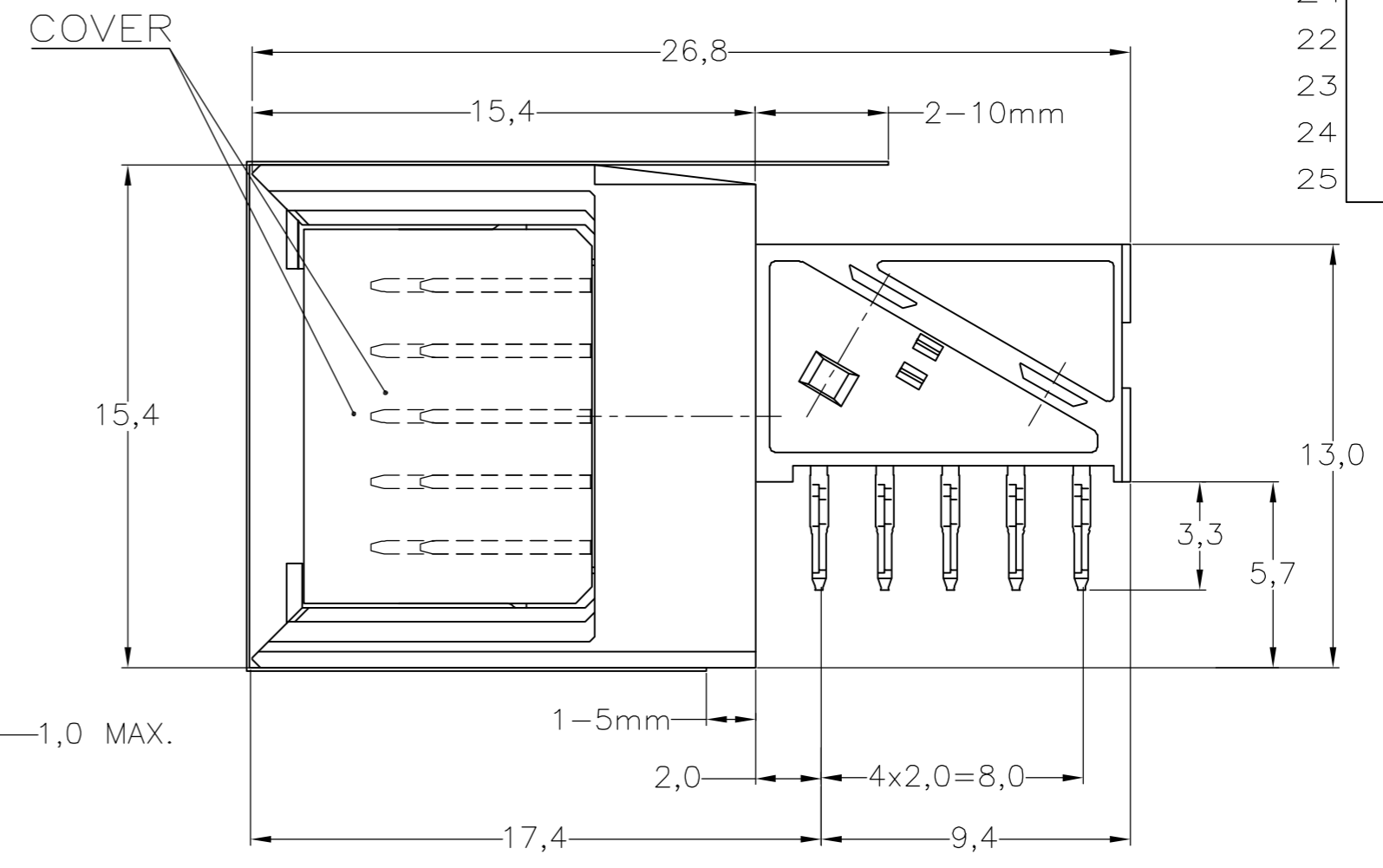
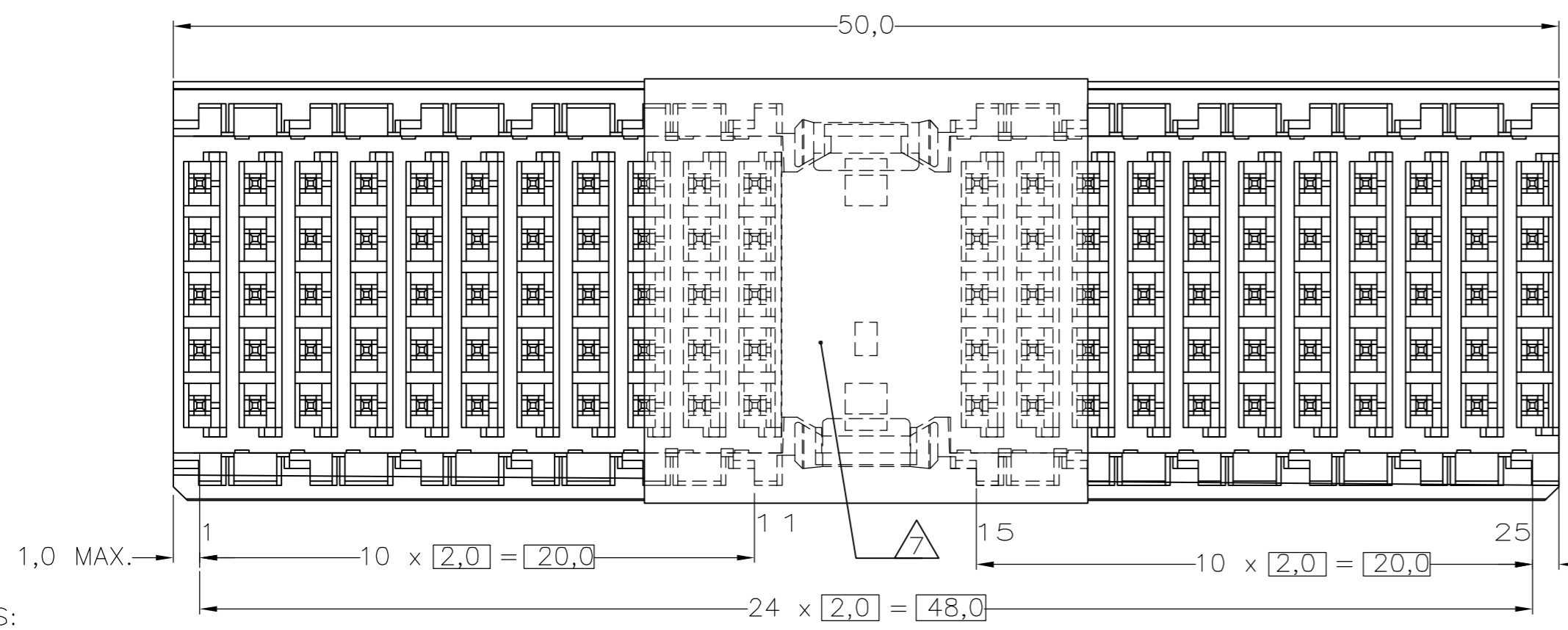


THIS DRAWING IS UNPUBLISHED. RELEASED FOR PUBLICATION
 © COPYRIGHT BY TYCO ELECTRONICS CORPORATION. ALL RIGHTS RESERVED.

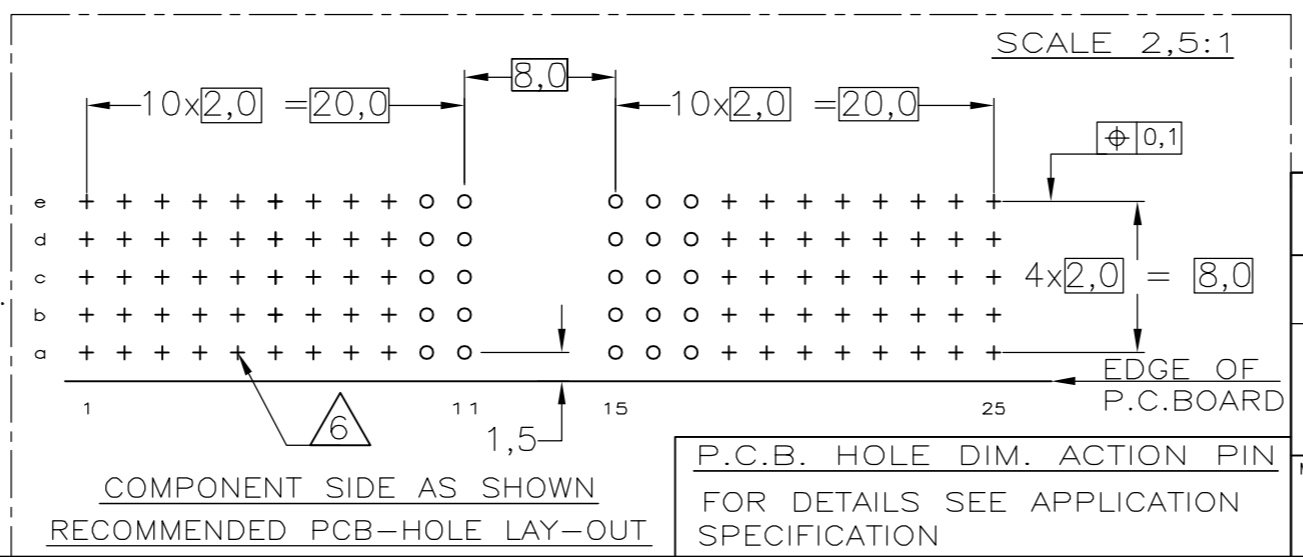
Loc	DIST	REVISIONS			
P	LTR	DESCRIPTION	DATE	DWN	APVD
A		SR10-0116-03	10-04-03	DP	-
B		EH10-0680-05	06-06-05	BSV	BM
B1		ECR-06-002635	07-02-06	BSV	BM



	a	b	c	d	e
1	1	1	1	1	1
2	1	1	1	1	1
3	1	1	1	1	1
4	1	1	1	1	1
5	1	1	1	1	1
6	1	1	1	1	1
7	1	1	1	1	1
8	1	1	1	1	1
9	1	1	1	1	1
10	1	1	1	1	1
11	1	1	1	1	1
MULTI PURPOSE CENTRE					
15	1	1	1	1	1
16	1	1	1	1	1
17	1	1	1	1	1
18	1	1	1	1	1
19	1	1	1	1	1
20	1	1	1	1	1
21	1	1	1	1	1
22	1	1	1	1	1
23	1	1	1	1	1
24	1	1	1	1	1
25	2	2	2	2	2



- NOTES:
- △ MATERIAL CONTACT; PHOSPHORBRONZE MATERIAL HOUSING; GLASSFILLED POLYESTER, UL94-V0 (GRAY)
 - △ GENERAL PLATING SPECIFICATION: UNDERPLATING (ENTIRE CONTACT): 1,27µm NICKEL MIN. AND ACTION PIN: 0,5µm TIN-LEAD MIN. FOR PLATING OF MATING SURFACES SEE APPLICABLE SPECIFICATION REFERENCE FOR EACH DASH NUMBER.
 - △ CONNECTOR TESTED AND QUALIFIED AGAINST TELCORDIA GR-1217-CORE QUALITY LEVEL III, CENTRAL OFFICE APPLICATIONS.
 - △ CONNECTOR LUBRICATED WITH TELCORDIA GR-1217-CORE APPROVED LUBRICANT.
 - △ CONNECTOR PRINTED WITH PARTNUMBER AND DATECODE
 - △ PLATED-THROUGH HOLES AT 2x2mm SQUARE GRID. 110 HOLES.
 - △ AREA RESERVED FOR KEYING PART (BASIC P.N. 100525)
 - △ TAPE TO FIX COVER, HAS TO BE REMOVED BEFORE MATING.



THIS DRAWING IS A CONTROLLED DOCUMENT.		DWN	090CT99	1345154-9	
DIMENSIONS: MM		CHK	090CT99	FINISH	2 3 4
TOLERANCES UNLESS OTHERWISE SPECIFIED:		APVD	-	MATERIAL	△
0 PLC ± -		PRODUCT SPEC	-	PARTNUMBER	
1 PLC ± -		APPLICATION SPEC	114-19029	NAME	
2 PLC ± -		WEIGHT	-	Tyco Electronics Corporation	
3 PLC ± -		CUSTOMER DRAWING	-	s-HertogenBosch, Netherlands,	
4 PLC ANGLES ± -		SCALE	NTS	Z-PACK 2MM HM TYPE A	
FINISH		SHEET	1 OF 1	110 POS. MALE RIGHT ANGLE CONNECTOR WITH PROTECTIVE COVER.	
MATERIAL		REV	B1	RESTRICTED TO	
FINISH		SIZE CAGE CODE DRAWING NO			
FINISH		A2 00779 C=1345154			