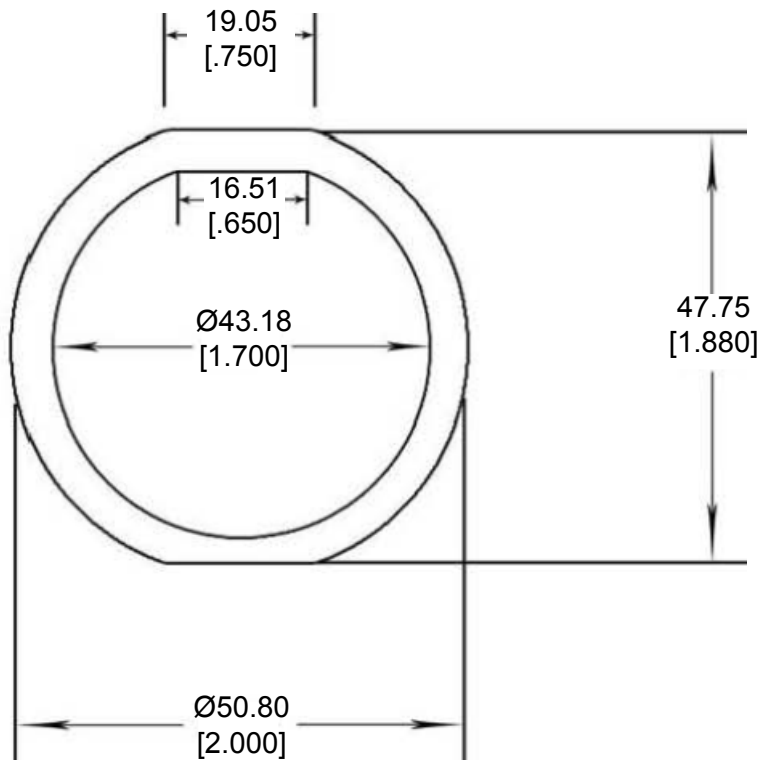


REVISIONS				
P	LTR	DESCRIPTION	DATE	APVD
A		NEW RELEASE PER ECO-14-012854	08-20-14	DM



- 4. THICKNESS: 3.18 [.125]
- 3. PART NO. 16-04477
- 2. TEMPERATURE RATING: -57°C TO +107°C [-70°F TO +225°F]
- 1. THIS PART IS USED ON HDP20 / HD30 SIZE 24 RECEPTACLES.


2014

RELEASED FOR PUBLICATION

THIS DRAWING IS UNPUBLISHED.

ALL RIGHTS RESERVED.

© COPYRIGHT 2014 BY TE CONNECTIVITY

DIMENSIONS: <b>MM [INCH]</b>	DWN D. MEYER 20AUG2014	MATERIAL CLD CELL SPONGE	FINISH BLACK
	CHK I. GRANTCHARVORA 20AUG2014	 TE Connectivity	
TOLERANCES UNLESS OTHERWISE SPECIFIED:	APVD D. MEYER 20AUG2014		
0 PLC ±	PRODUCT SPEC	SIZE A 4	CAGE CODE 4AFU8
1 PLC ±	APPLICATION SPEC	DRAWING NO C-16-04477	RESTRICTED TO -
2 PLC ± 0.76 [.030]	WEIGHT .45 g	Customer Drawing	
3 PLC ±		SCALE NONE	SHEET 1 OF 1
4 PLC ±			REV A
ANGLES ± 5°			

