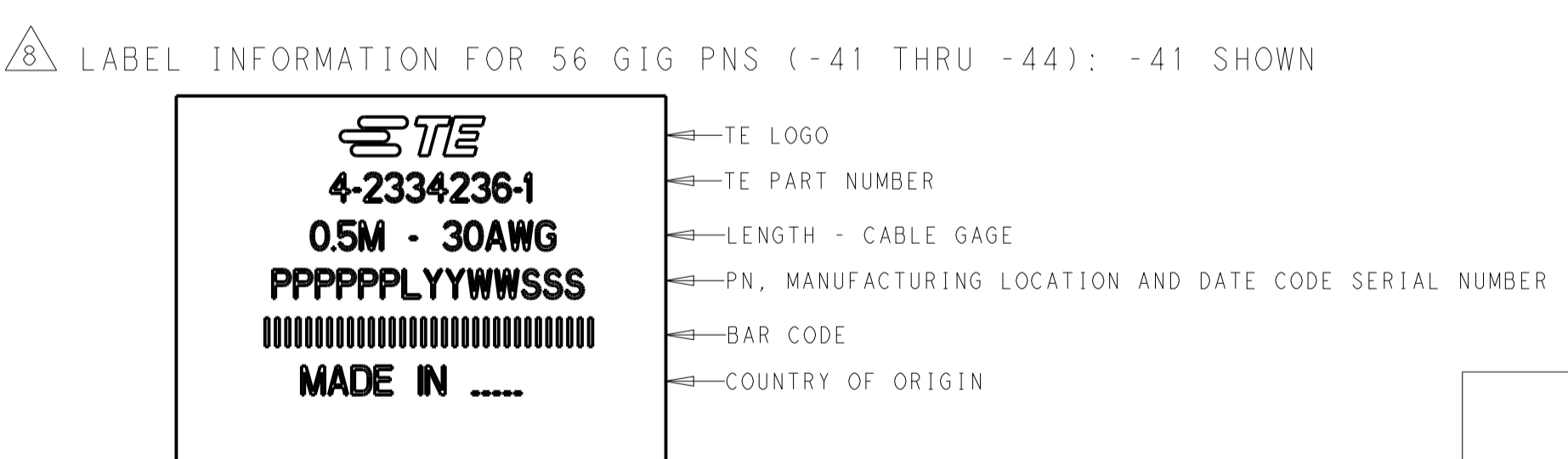
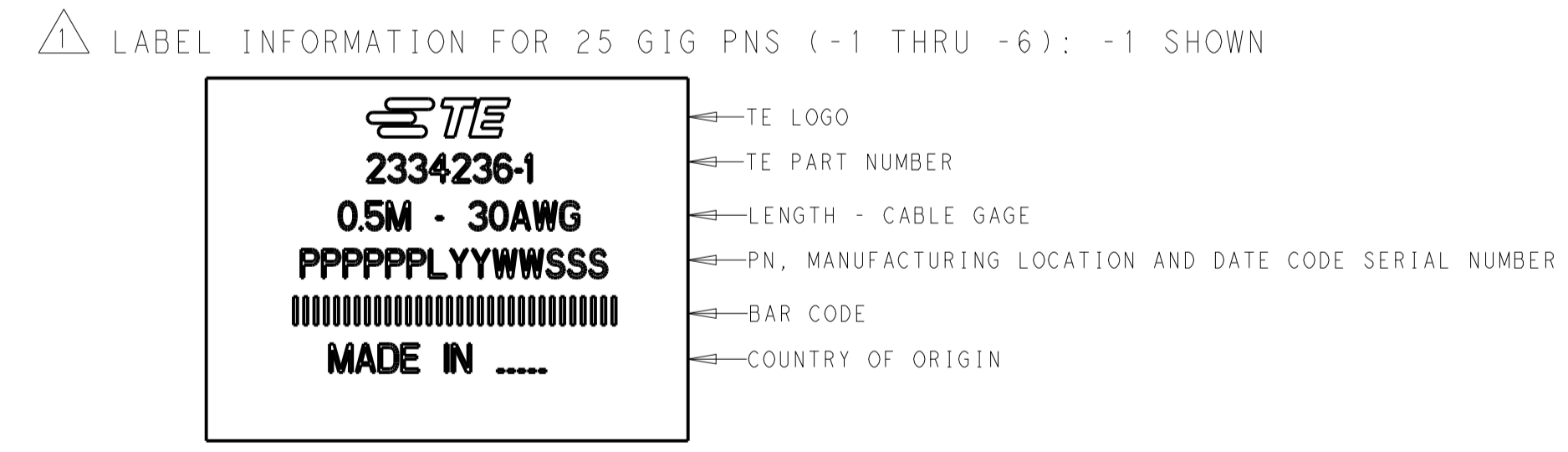
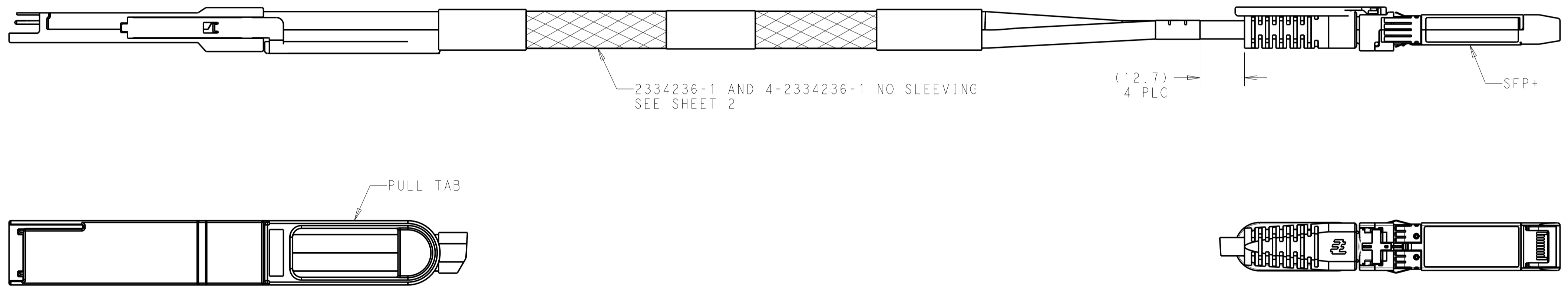
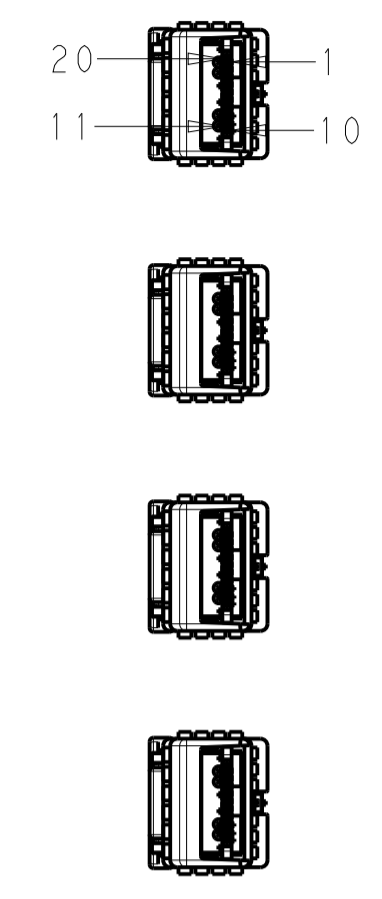
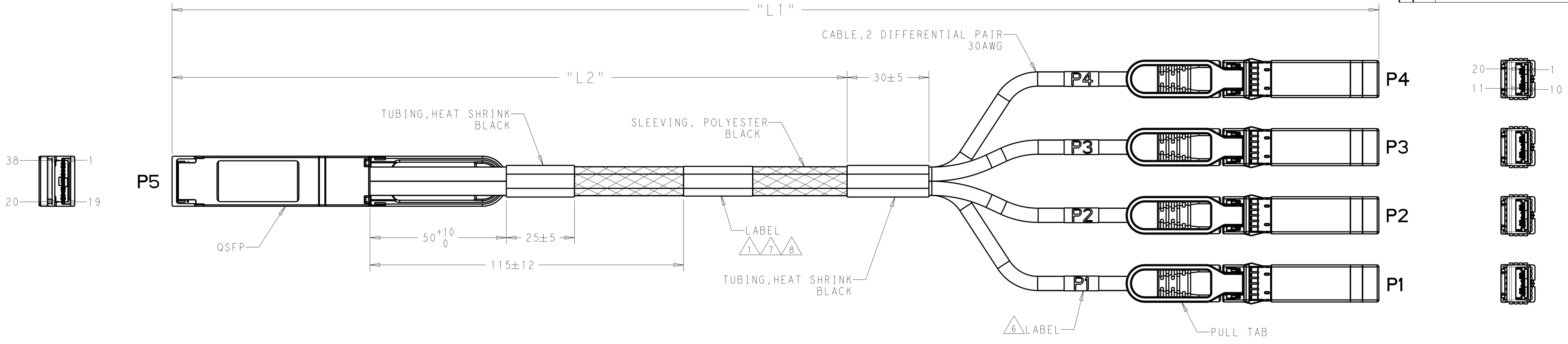


REVISIONS				
P	LTM	DESCRIPTION	DATE	APVD
A		PER ECO-18-020143	31DEC2018	MY GF
B		REVISED PER ECO-19-007907	24MAY2019	AP GF
C		REVISED PER ECO-21-005293	01MAY2021	KK AK



- 2. SEE SHEET 2 FOR WIRING SCHEMATIC.
- 3. PRODUCT AND PROCESSING MUST MEET THE REQUIREMENTS OF TE SPECIFICATION TEC-138-702.
- 4. CABLE ASSEMBLY TO BE TESTED FOR OPENS, SHORTS AND PROPER EEPROM PROGRAM.
- △ 5 TEST IN ACCORDANCE WITH IEEE802.3bj.
- △ 6 LABEL INFORMATION: P1 SHOWN



△ SEE SHEET 2 FOR 2334236-1 AND 4-2334236-1 LABEL PLACEMENT.

△ 9 DASH NUMBER 41 THRU 44 CONFORM TO 56G, PAM-4 IEEE802.3CD PERFORMANCE REQUIREMENTS.

STANDARD	GAGE	"L2"		"L1"		PART NO
△ 9	30	700 ±25	2000 +80/-0	4-2334236-4		
	30	500 ±25	1500 +50/-0	4-2334236-3		
	30	330 ±25	1000 +50/-0	4-2334236-2		
	30	120 ±12	500 +50/-0	4-2334236-1		
△ 5	30	1000 ±25	3000 +80/-0	2334236-6		
	30	1000 ±25	2500 +80/-0	2334236-5		
	30	700 ±25	2000 +80/-0	2334236-4		
	30	500 ±25	1500 +50/-0	2334236-3		
	30	330 ±25	1000 +50/-0	2334236-2		
	30	120 ±12	500 +50/-0	2334236-1		

THIS DRAWING IS A CONTROLLED DOCUMENT.

DATE: 11APR2018
 CHK: G. FRANKLIN
 APVD: G. FRANKLIN

TE Connectivity

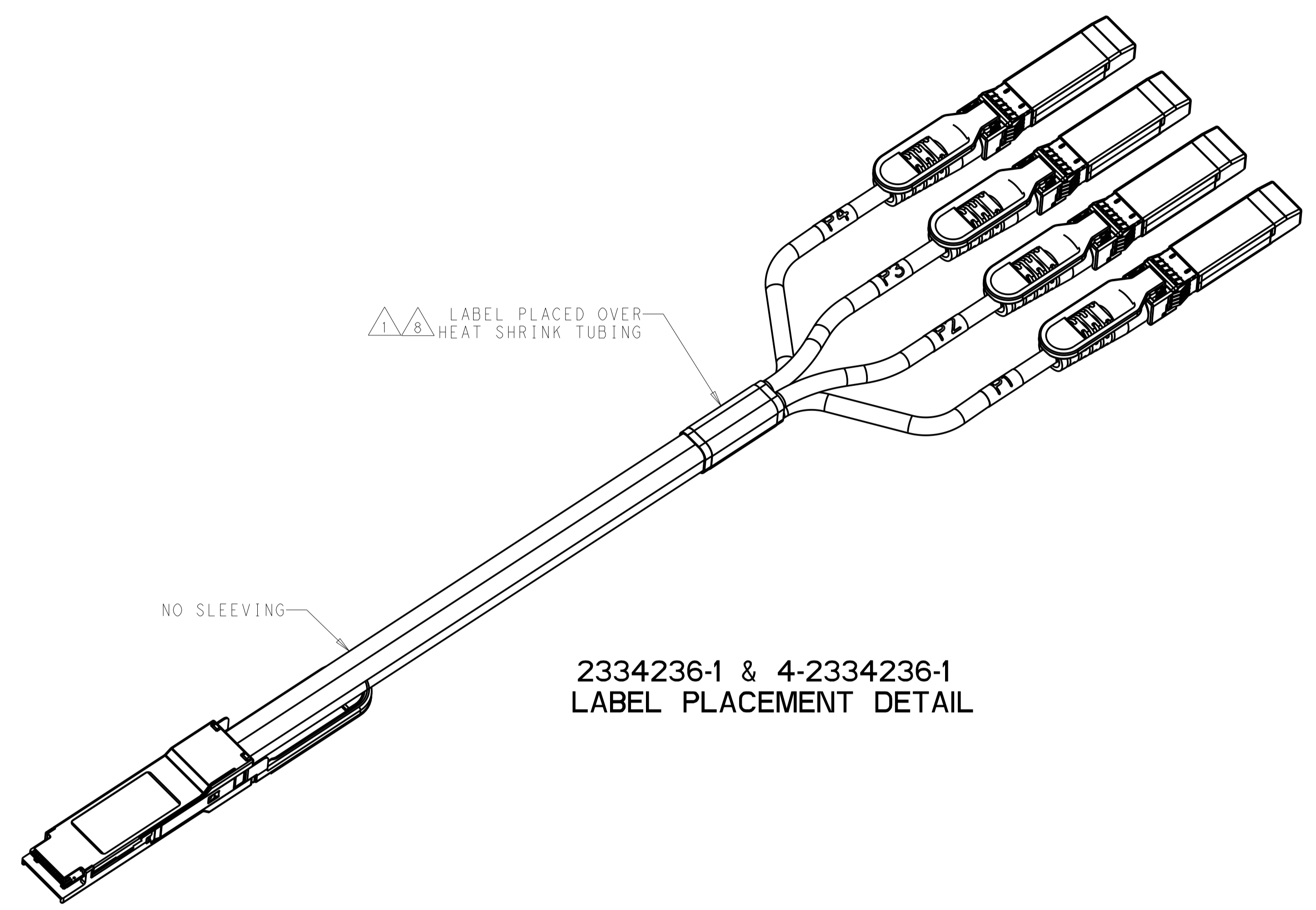
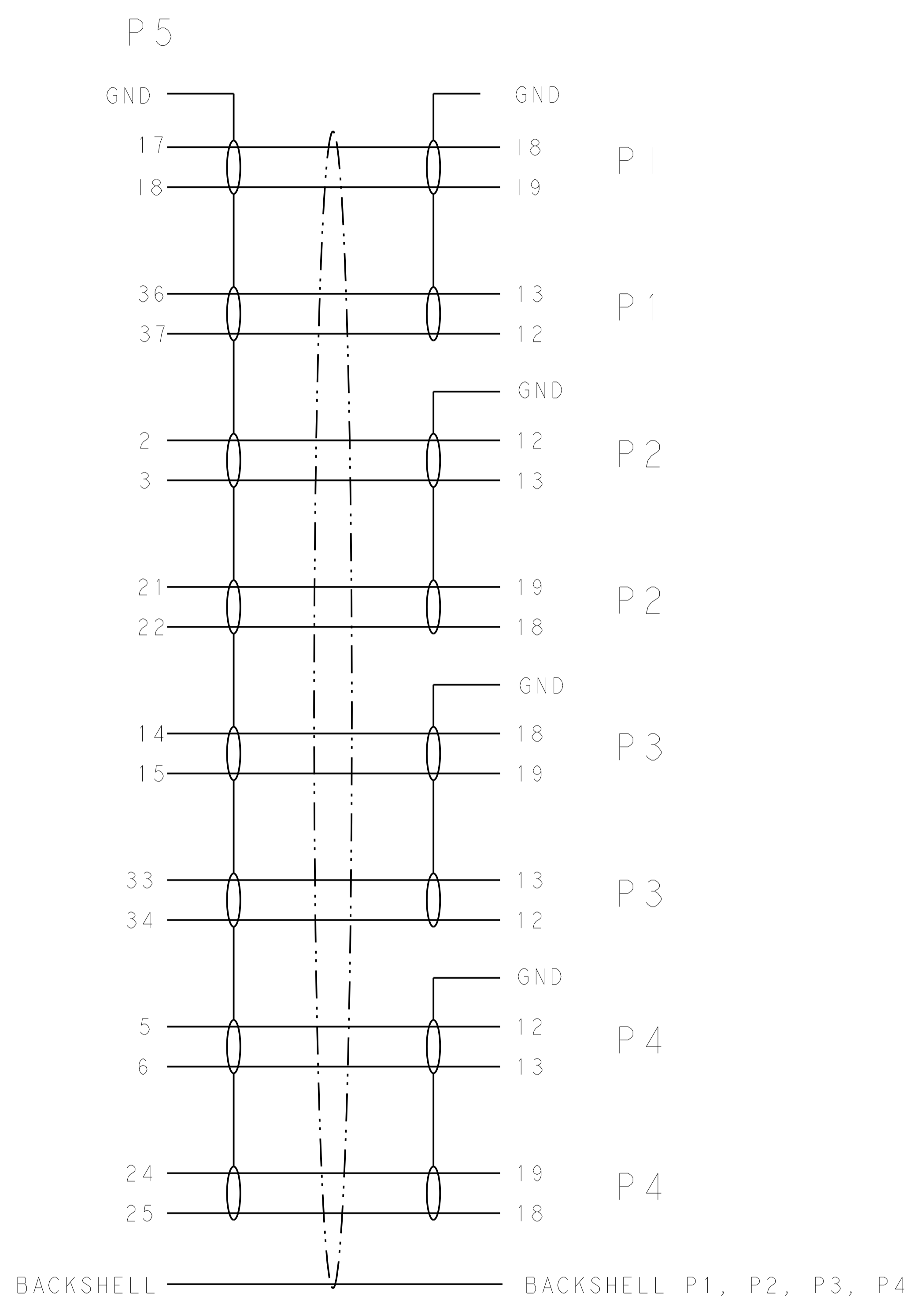
NAME: CABLE ASSEMBLY, QSFP28 TO (4) SFP+

SIZE: A | 00779 | C=2334236

RESTRICTED CUSTOMER

SCALE: 5:4 SHEET 1 OF 2 REV C

REVISIONS				
P.	LTN	DESCRIPTION	DATE	OWN APVD
		SEE SHEET 1		



**2334236-1 & 4-2334236-1
LABEL PLACEMENT DETAIL**

THIS DRAWING IS A CONTROLLED DOCUMENT.		OWN: Y1 11APR2018	TE TE Connectivity
DIMENSIONS: mm		CHK: G. FRANKLIN 11APR2018	
TOLERANCES UNLESS OTHERWISE SPECIFIED:		APVD: G. FRANKLIN 11APR2018	NAME: CABLE ASSEMBLY, QSFP28 TO (4) SFP+
0 PLC ±		PRODUCT SPEC	SIZE: CAGE CODE DRAWING NO
1 PLC ±		APPLICATION SPEC	RESTRICTED TO
2 PLC ±		WEIGHT	A 100779 C=2334236
3 PLC ±		RESTRICTED CUSTOMER	SCALE 3:2 SHEET 2 OF 2 REV C
4 PLC ±			
ANGLES ±			
MATERIAL	FINISH		