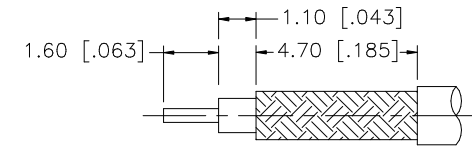
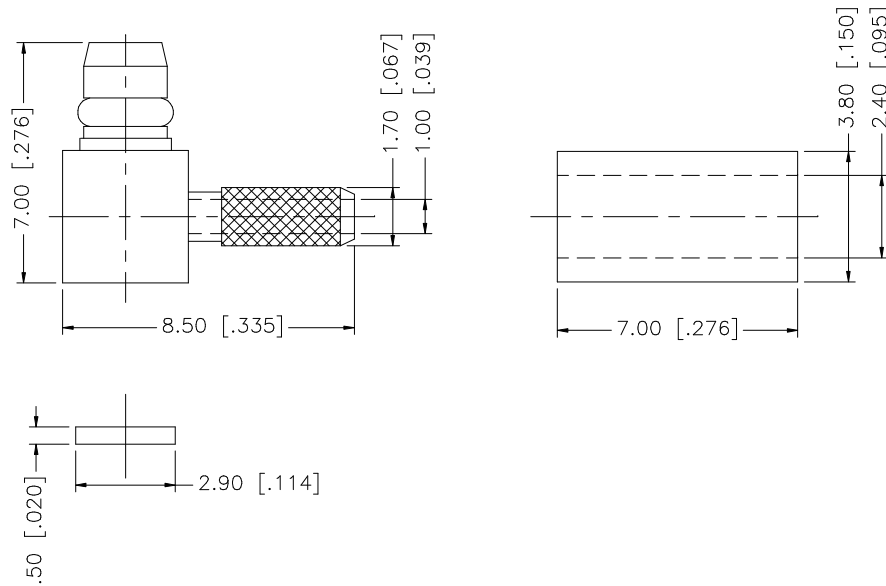


REV.	DATE	DESCRIPTION
B	04/31/03	UPDATE DRAWING FORMAT



RECOMMENDED CABLE STRIPPING DIM'S.

NOTE:

1. CRIMPED FERRULE
HEX CRIMP SIZE .128"
2. CONTACT PIN TO SOLDER

REV.	DATE	DESCRIPTION
B	04/31/03	UPDATE DRAWING FORMAT
8		
7		
6		
5	FERRULE	COPPER
4	COVER	BRASS
3	CONTACT PIN	BRASS
2	INSULATOR	TEFLON
1	BODY	BRASS
	DESCRIPTION	MATERIAL
		FINISH
		QTY
<p>UNLESS OTHERWISE SPECIFIED DIMENSIONS ARE IN MILLIMETERS. DIMENSIONS IN [] ARE IN INCHES AND FOR CUSTOMER REFERENCE ONLY.</p> <p>UNLESS OTHERWISE SPECIFIED TOLERANCES FOR MILLIMETERS ARE: 0.5 - 8mm ± 0.20mm 8 - 30mm ± 0.40mm 30 - 120mm ± 0.50mm</p> <p>UNLESS OTHERWISE SPECIFIED TOLERANCES FOR INCHES ARE: .020 - .315 = ± 0.007" .315 - 1.180 = ± 0.015" 1.180 - 4.724 = ± 0.020"</p> <p>DO NOT SCALE DRAWING</p>		
APPROVALS		DATE
DRAWN G.R.S.		04/31/03
CHECKED		
ISSUED		
SHEET 1 OF 1		
CAD FILE		C:/262/262102.DWG
<h1 style="text-align: center; color: blue;">Amphenol Connex</h1>		
PART DESCRIPTION		
MMCX R/A CRIMP PLUG (FOR RG-178B/U, 196A/U)		
PART NO.		
262102		
DWG. NO.	262102.DWG	REV. B
SIZE	A	SCALE NA