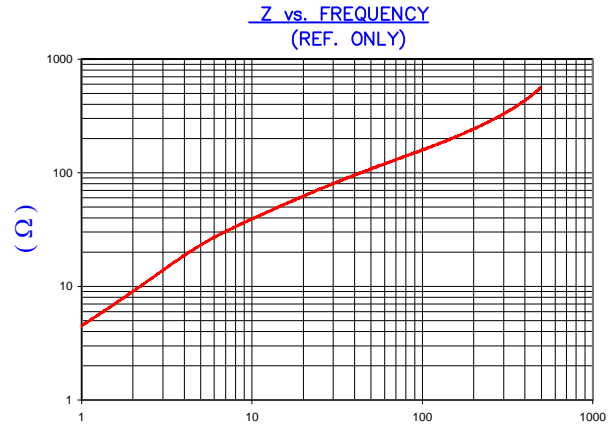
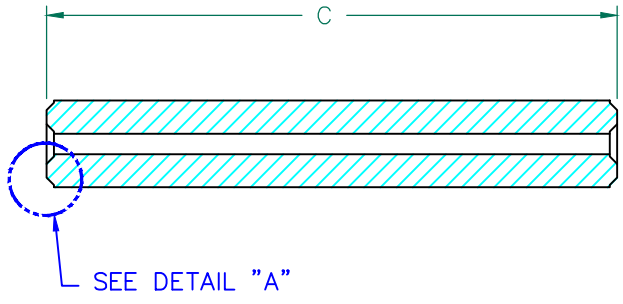
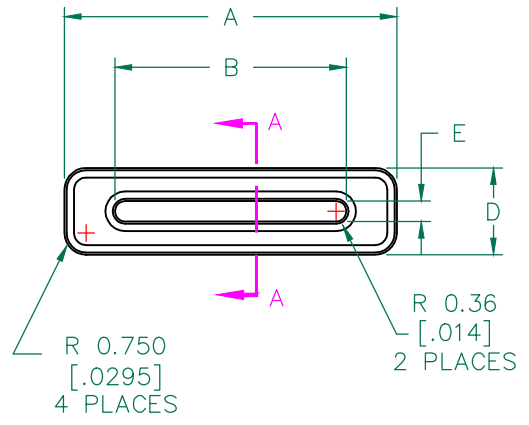
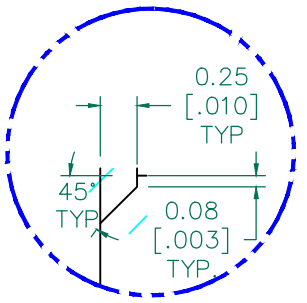


IMPEDANCE ( Z )			
Frequency	25 MHz	100 MHz	300 MHz
Nominal (REF)	72 Ω	160 Ω	330 Ω
Minimum	- Ω	128 Ω	- Ω



FREQUENCY (MHz)  
 AGILENT E4991A Impedance/Material Analyzer  
 HP 16092A Test Fixture, REF # 3671



DETAIL "A"  
 CHAMFER  
 SCALE=20:1

FERRITE CORE DIMENSIONS (SPEC):

A	11.5	[.453]	+ 0.25	[.010]
B	8.00	[.315]	+ 0.20	[.008]
C	20.00	[.787]	+ 0.30	[.012]
D	3.00	[.118]	+ 0.20	[.008]
E	0.70	[.028]	+ 0.15	[.006]

WEIGHT/1000 2.75 kgs [6.07 Lbs]

SCALE DRAWING 1:1

28R0453-300

DIMENSIONS ARE IN mm[INCHES].				This print is the property of Laird Tech. and is loaned in confidence subject to return upon request and with the understanding that no copies shall be made without the written consent of Laird Tech. All rights to design or invention are reserved.	
C	UPDATE COMPANY LOGO	12/28/12	QIU	PROJECT/PART NUMBER:	28R0453-300
B	UPDATE MIN Z SPEC & COMPANY LOGO	07/26/07	JRK	REV	C
A	ORIGINAL DRAFT	01/22/04	JRK	DATE:	01/21/04
REV	DESCRIPTION	DATE	INT	CAD #	28R0453-300-C
				SCALE:	4:1
				TOOL #	R0453
				MATERIAL:	FERRITE
				DRAWN BY:	JRK

