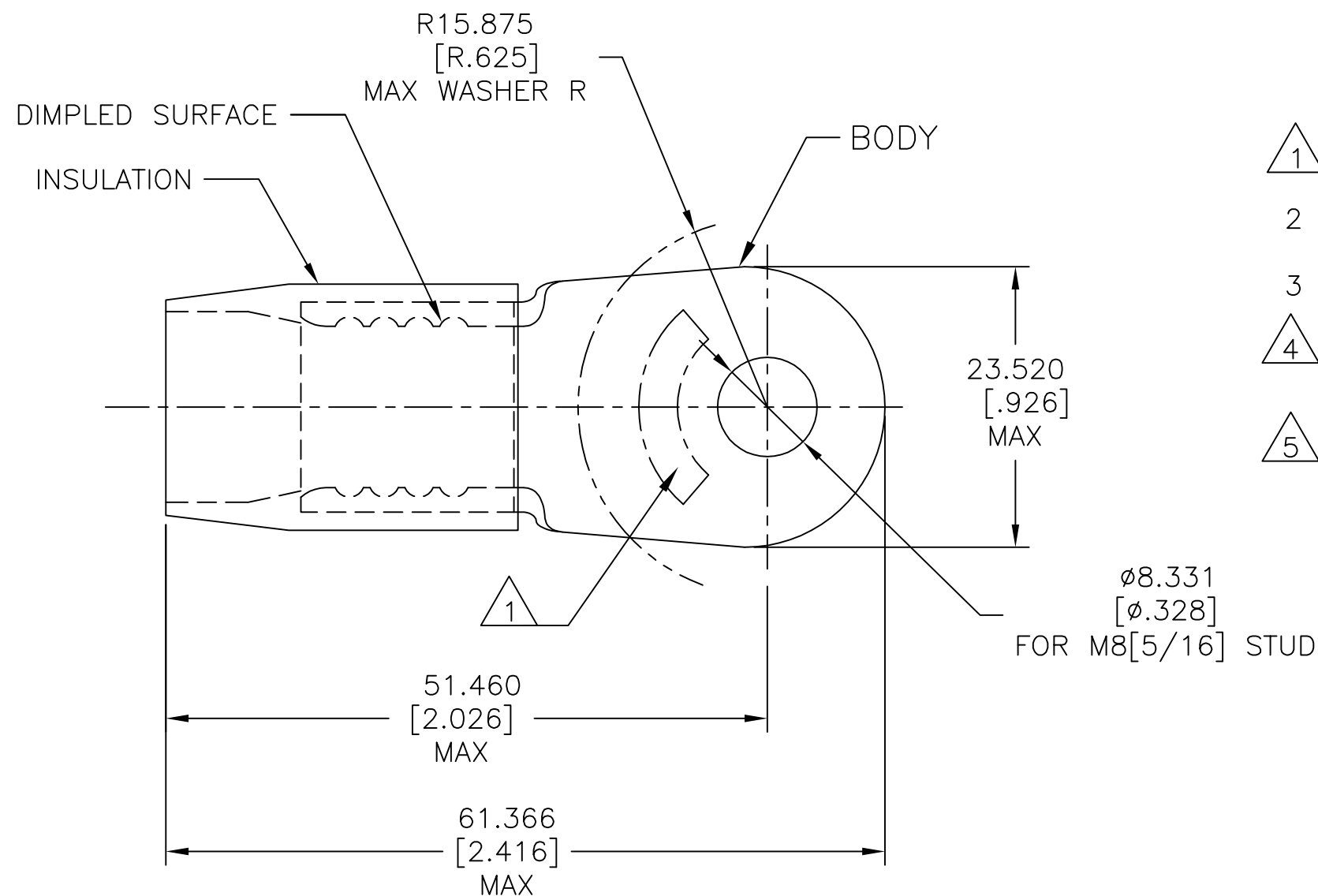


P	LTR	DESCRIPTION	DATE	DWN	APVD
	F2	REVISED PER ECO-13-002070	05FEB13	KH	DR
	F3	REVISED PER ECO-17-014333	11OCT2017	RS	DR

AMP WIRE RANGE
2/0 AWG STRANDED



- 1 STAMP AMP 2/0 W*, LOCATE APPROX AS SHOWN.
- 2 BODY MATERIAL THK 2.032±0.051 [.080±.002]
- 3 WIRE INSULATION ϕ 15.494 [ϕ .610] MAX.
- 4 BODY: COPPER PER ASTM B-152
INSULATION: NYLON ASTM D4066 TYPE I.
- 5 BODY: TIN PLATED PER ASTM B-545
INSULATION: COLOR-YELLOW.

MS25036-135 CLASS 2	25	LOOSE PC	324083
MILITARY P/N AND CLASS	QTY	PACKAGE TYPE	PART NO

MAX RECOMMENDED OPERATING TEMPERATURE: 105°C[221°F]
VOLTAGE RATING: -
CIRCULAR MIL AREA: 60.6-76.3mm ² [119,500-150,500] STRANDED

THIS DRAWING IS A CONTROLLED DOCUMENT.	
DIMENSIONS: mm [INCHES]	TOLERANCES UNLESS OTHERWISE SPECIFIED:
	0 PLC ± -
	1 PLC ± -
	2 PLC ± -
	3 PLC ± 0.127[.005]
	4 PLC ± -
	ANGLES ± -
MATERIAL	FINISH
4	5

DWN S.S. GOULDEN 9-28-93	TE Connectivity TERMINAL, RING TONGUE, TERMINYL, WIRE SIZE: 2/0 AWG				
CHK R. HERSEY 9-28-93					
APVD M ELLIS 9-28-93					
PRODUCT SPEC SAE AS7928					
APPLICATION SPEC	NAME	SIZE	CAGE CODE	DRAWING NO	RESTRICTED TO
-	-	A3	00779	C-324083	-
WEIGHT -	CUSTOMER DRAWING		SCALE NTS	SHEET 1 OF 1	REV F3