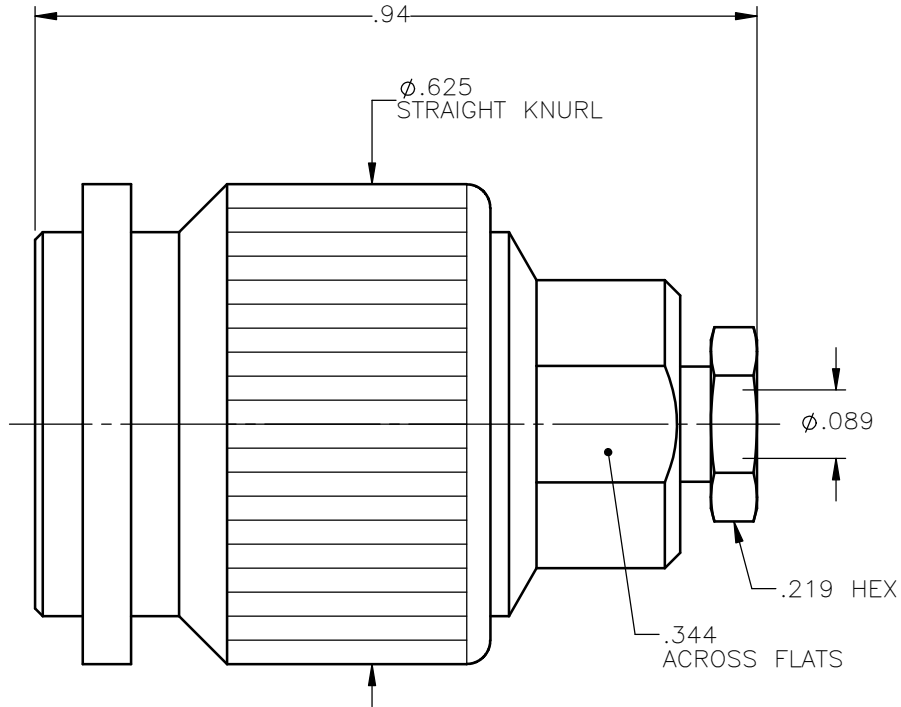


REVISIONS			
REV.	DESCRIPTION	DATE	APPROVED
A	INITIAL RELEASE	05/04/18	D.N.






NOTES:

MATERIALS:

1. INSULATORS = VIRGIN WHITE TEFLON PER ASTM D1710, GRADE 1, TYPE I, CLASS "B".
2. FERRULE & WASHER = BERYLLIUM COPPER PER ASTM B196, ALLOY C17300, TEMPER TD04.
3. GASKET = SILICONE RUBBER PER MIL-R-5847.
4. ALL OTHER METAL PARTS = BRASS PER ASTM B16, ALLOY C36000, TEMPER H02.

FINISHES:

1. CONTACT = GOLD PLATE PER ASTM B488-11, TYPE II, 50µin MIN, GRADE C, OVER 100 TO 200µin STRESS FREE SULFAMATE NICKEL PER AMS-QQ-N-290.
2. ALL OTHER METAL PARTS = GOLD PLATE PER ASTM B488-11, TYPE II, 30µin MIN, GRADE C OVER 100 TO 200µin COPPER STRIKE PER AMS 2418.

UNLESS OTHERWISE SPECIFIED DIMENSIONS ARE IN INCHES TOLERANCES ON	DWN:	DATE	 Property of Radiall This document cannot be reproduced or communicated to a third party without prior written permission of RADIALL.	
	D.N.	05/04/18		
DECIMAL	ANGLE	CHKD:	DATE	TNC STRAIGHT PLUG CLAMP TYPE FOR RG-178 & SIMILAR CABLES
		C.E.	05/04/18	
		APVD:	DATE	
		J.M.	05/04/18	SIZE A FSCM NO. 19505 DWG NO. 6000-1051-002 REV A
REFERENCE:	MATERIALS & FINISHES:	SEE NOTES		SCALE 4:1 THIRD ANGLE PROJECTION  SHEET 1 OF 1
ORIGINATED: D.N. DATE: 05/04/18				

6000-1051-002