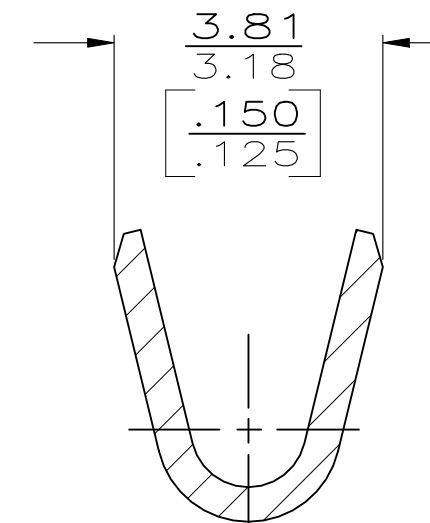
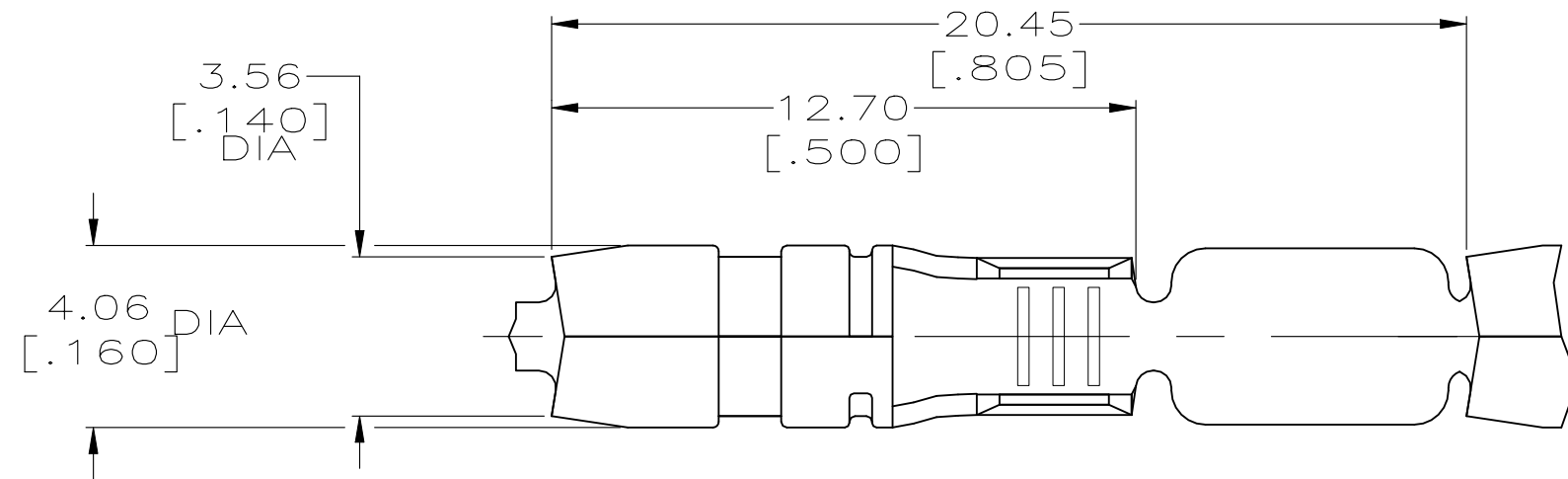
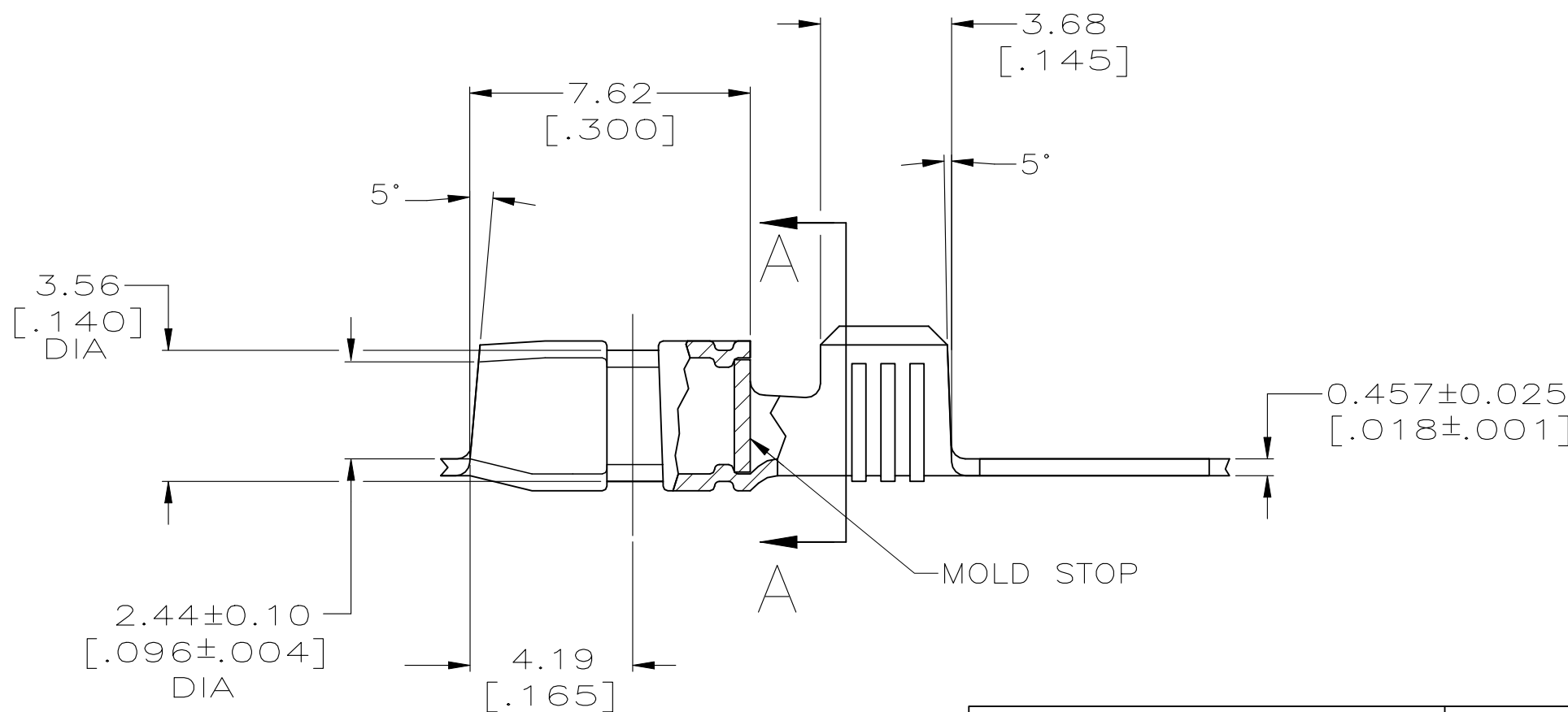


P	LTR	DESCRIPTION	DATE	DWN	APVD
	AB	REVISED PER ECR-23-170884	06APR2023	SS	RE

- 1 CONTINUOUS STRIP ON REEL.
- 2 WIRE SIZE IS [18-14] AWG
- △ 3 0.003302 [.000130] MAX PRE-TIN PL.



SECTION A-A
SCALE 10:1



61802-1

PART NO.

THIS DRAWING IS A CONTROLLED DOCUMENT.		DWN PHILLIP M. FORTNEY 30/SEP/94	TE Connectivity															
DIMENSIONS: INCHES		CHK JEFF R. RUTH 30/SEP/94																
TOLERANCES UNLESS OTHERWISE SPECIFIED: 1"		APVD R KUZO 30/SEP/04	NAME SHUR PLUG, 3.96 [.156] DIA															
<table border="0"> <tr> <td>0 PLC</td> <td>± -</td> </tr> <tr> <td>1 PLC</td> <td>± -</td> </tr> <tr> <td>2 PLC</td> <td>± 0.25 [.010]</td> </tr> <tr> <td>3 PLC</td> <td>± -</td> </tr> <tr> <td>4 PLC</td> <td>± -</td> </tr> <tr> <td>ANGLES</td> <td>± -</td> </tr> </table>		0 PLC	± -	1 PLC	± -	2 PLC	± 0.25 [.010]	3 PLC	± -	4 PLC	± -	ANGLES	± -	PRODUCT SPEC -	SIZE A3	CAGE CODE 00779	DRAWING NO C-61802	RESTRICTED TO -
0 PLC	± -																	
1 PLC	± -																	
2 PLC	± 0.25 [.010]																	
3 PLC	± -																	
4 PLC	± -																	
ANGLES	± -																	
MATERIAL 081 BRASS		FINISH - △ 3	WEIGHT 0.000000	CUSTOMER DRAWING		SCALE 6:1	SHEET 1 OF 1	REV AB										