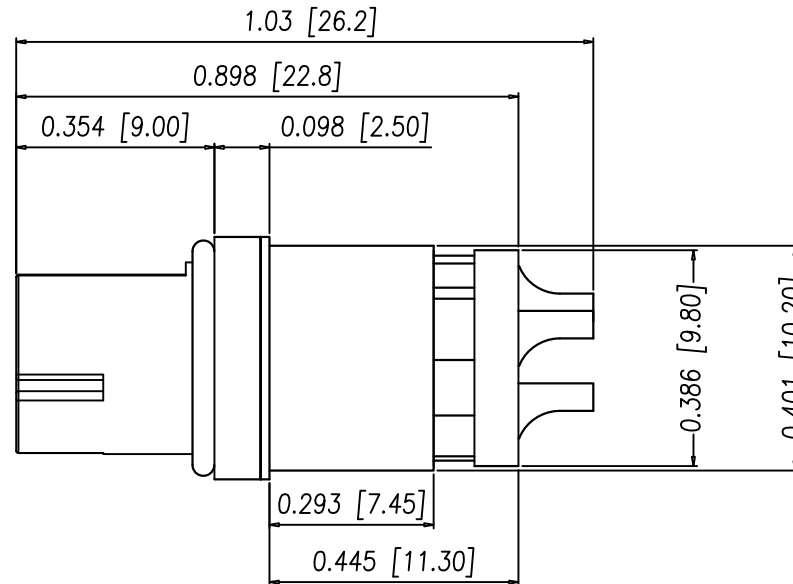
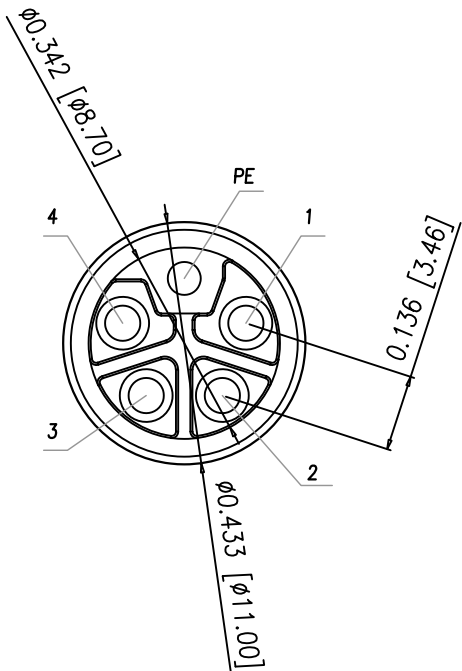


NOTE:

MATERIAL	
HOUSING:	PA66 UL94V-0, BLACK
CONTACT:	BRASS
NUT:	BRASS
O-RING:	EPDM
SHELL:	BRASS
FINISH	
CONTACT:	10u" GOLD PLATED OVER NICKEL
NUT:	NICKEL PLATED
SHELL:	BRIGHT TIN PLATED
ELECTRICAL	
RATED CURRENT:	16A
RATED VOLTAGE:	63V
WATER PROOF:	IP67
WIRE AWG:	14 AWG MAX
ENVIRONMENT	
OPERATION TEMPERATURE:	-40°C TO +85°C



858-LP5-203RLSY

- 3 = BRASS/TIN (B/T) SHELL & NUT
- S = STAINLESS STEEL (SS) SHELL & NUT
- T = B/T SHELL & SS NUT
- 1 = GOLD FLASH
- 4 = 10u" GOLD

RoHS COMPLIANT

UNITS = INCHES [MM] DO NOT SCALE FROM DRAWING



THESE DRAWINGS AND SPECIFICATIONS ARE THE PROPERTY OF NorComp AND SHALL NOT BE REPRODUCED, COPIED OR USED AS THE BASIS FOR THE MANUFACTURE OR SALE OF APPARATUS WITHOUT WRITTEN PERMISSION.

DRAWN:

J. KADEL

DATE:

08/01/2018

NorComp

SCALE:  
NTS

SHEET OF  
1 1

REV  
5

DWG NO.

858-LP5-203RLS4