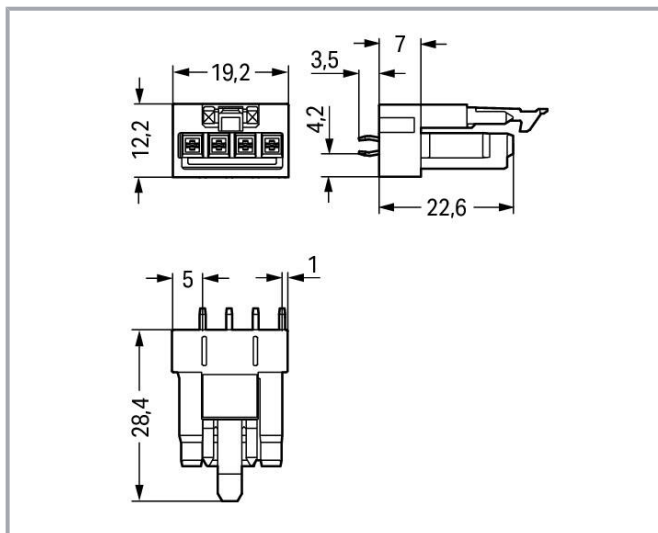
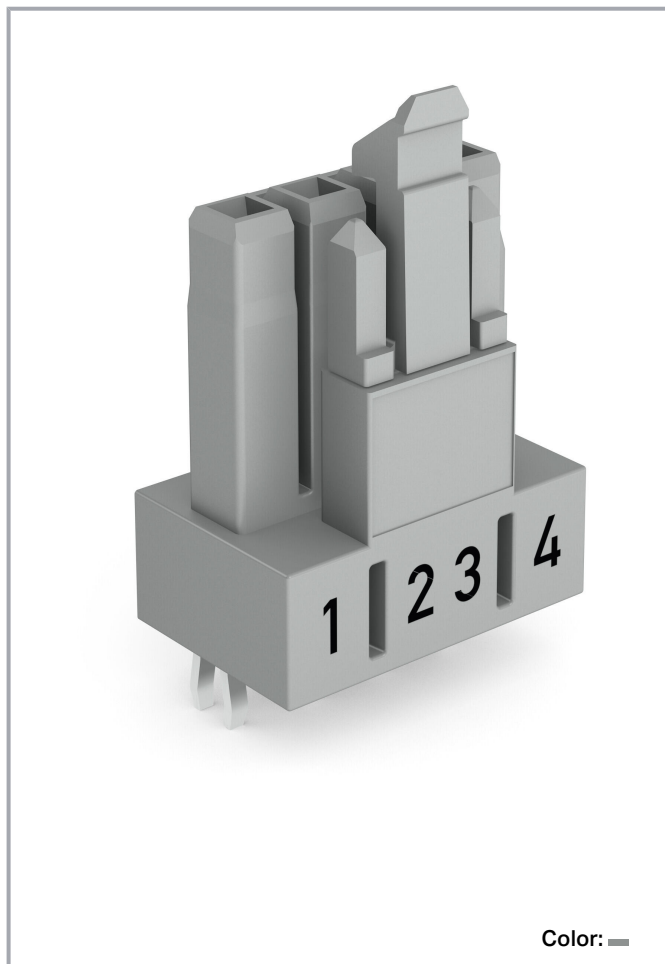


Data sheet | Item number: 890-844

Socket for PCBs; straight; 4-pole; Cod. B; gray

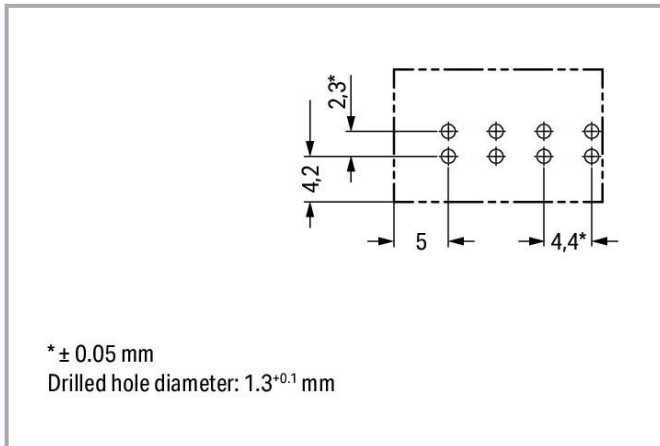
[www.wago.com/890-844](http://www.wago.com/890-844)



Subject to changes. Please also observe the further product documentation!

WAGO GmbH & Co. KG  
Hansastr. 27  
32423 Minden  
Phone: +49571 887-0 | Fax: +49571 887-169  
Email: [info.de@wago.com](mailto:info.de@wago.com) | Web: [www.wago.com](http://www.wago.com)

Do you have any questions about our products?  
We are always happy to take your call at +49 (571) 887-44222.



## Item description

### Female connector/socket *WINSTA*® MINI with protection against mismatching

The *WINSTA*® MINI female connector/socket rated current 16 A offers easy-to-understand handling to support control and drive technology tasks. Our giant number of pluggable PCB connectors with different insertion directions and operating variants offers you the right solution for your application at any time. The coding options reduce installation errors, allowing fast, maintenance-free wiring of all components. B coding enables the *WINSTA*® MINI pcb connectors to be used for control in applications in automation, robotics, and mechanical engineering. *WINSTA*® MINI is our response to the trend toward miniaturisation. Our smallest pluggable connection system is especially suitable for lights, for example, since as a result of LED technology; due to complex systems, these offer significantly less space for the connection technology.

### Lower costs through fast commissioning and elimination of service expenses – solutions from *WINSTA*® MINI

The *WINSTA*® Pluggable Connection System is perfectly tailored to the very strict requirements of building installation. It makes electrical installation pluggable, and thus more efficient, even more reliable, and error-free. Use of this pre-assembled system reduces time spent on assembly and errors during installation at the construction site. Now you can also lower installation costs without compromising quality and safety: The *WINSTA*® MINI pcb connector with protection against mismatching reduces the need for servicing and prevents unnecessary downtime.

- protection against mismatching eliminates errors
- consistent IP40 protection
- for automation controllers
- quick replacement of defective units during ongoing operation

Subject to changes. Please also observe the further product documentation!



## Data

### Notes

|           |   |
|-----------|---|
| Variants: | Other pole markings<br>Other versions (or variants) can be requested from WAGO Sales or configured at <a href="https://configurator.wago.com/">https://configurator.wago.com/</a> . |
|-----------|---|

## Electrical data

### Ratings per IEC/EN

|                               |   |
|-------------------------------|---|
| Ratings per                   | IEC/EN 60664-1  |
| Nominal voltage (III/3)       | 250 V   |
| Rated impulse voltage (III/3) | 4 kV  |
| Rated current                 | 16 A  |
| Note (rated current)          | 13 A for 3-pole load<br>10 A for 4-pole load              |
| Legend (ratings)              | (III / 3) ≙ Overvoltage category III / Pollution degree 3 |

### Ratings per UL 1977

|                         |   |
|-------------------------|---|
| Note for the US market  | Some versions may also be used for current interruption in accordance with the UL certificate in select applications with currents below 5 A and voltages up to 600 V. For further information, please contact your local sales office. |
| Rated voltage (UL 1977) | 600 V   |
| Rated current UL 1977   | 12 A  |

## General

|                            |  |
|----------------------------|--|
| Note on contact resistance | approx. 1 mΩ of contact resistance<br>approx. 0.25 mΩ contact transition plug/socket |
|----------------------------|--|

## Connection data

|                            |   |
|----------------------------|---|
| Total number of potentials | 4 |
| Number of levels           | 1 |

## Connection 1

|             |   |
|-------------|---|
| Pole number | 4 |
|-------------|---|

Subject to changes. Please also observe the further product documentation!



## Physical data

|                                      |                          |
|--------------------------------------|--------------------------|
| Pin spacing                          | 4.4 mm / 0.173 inches    |
| Width                                | 19.2 mm / 0.756 inches   |
| Height                               | 31.9 mm / 1.256 inches   |
| Height from the surface              | 28.4 mm / 1.118 inches   |
| Depth                                | 12.2 mm / 0.48 inches    |
| Solder pin length                    | 3.5 mm                   |
| Solder pin dimensions                | 1 x 0.8 mm               |
| Drilled hole diameter with tolerance | 1.3 <sup>(+0.1)</sup> mm |

## Mechanical Data

|   |   |
|---|---|
| Application                             | Control technology  |
| Coding                                  | B   |
| Variable coding                         | No  |
| Marking                                 | 1 2 3 4   |
| Potential marking                       | 1 2 3 4   |
| Mating force of a plug-in connection    | approx. 20 ... 70 N (depending on pole number)  |
| Retention force of a plug-in connection | Locked: > 80 N  |
| Unmating force of a plug-in connection  | Unlocked: approx. 20 ... 70 N (depending on pole number)  |
| Number of mating cycles                 | 200, without resistive load<br>100, with resistive load $I_N = 16$ A, tested (1.5 mm <sup>2</sup> ) |
| Design                                  | straight  |

## Plug-in connection

|                                    |  |
|------------------------------------|--|
| Contact type (pluggable connector) | Female connector/socket  |
| Connector (connection type)        | for PCB  |
| Mismating protection               | Yes  |
| Note on mismating protection       | All <i>WINSTA</i> <sup>®</sup> components are 100% protected against mismating when:<br>a.) plugging different numbers of poles<br>b.) plugging while rotated 180<br>c.) plugging while laterally staggered<br>d.) plugging one pole |
| Mating direction to the PCB        | 90 °   |

Subject to changes. Please also observe the further product documentation!



|                               |  |
|-------------------------------|--|
| Locking lever                 | yes  |
| Locking of plug-in connection | locking lever  |
| Note on locking system        | All connectors for mounted installations (snap-in versions for lighting fixtures or devices, all types of PCB and distribution connectors) are factory-equipped with locking levers to ensure plugs and sockets are securely locked. Additional locking levers are only required for flying leads (plug/socket). |

### PCB contact

|                                     |                            |
|-------------------------------------|----------------------------|
| PCB contact                         | THT                        |
| Solder pin arrangement              | 2 in-line solder pins/pole |
| Number of solder pins per potential | 2                          |

### Material Data

|                             |  |
|-----------------------------|--|
| Note (material data)        | Information on material specifications can be found here |
| Color                       | gray   |
| Cover color                 | gray   |
| Material group              | I  |
| Insulation material         | Polyamide (PA66)   |
| Flammability class per UL94 | V0   |
| Clamping spring material    | Chrome-nickel spring steel (CrNi)                        |
| Contact material            | Copper or copper alloy; surface-treated                  |
| Contact plating             | Tin  |
| Fire load                   | 0.078 MJ   |
| Weight                      | 4.3 g  |

### Environmental requirements

|  |  |
|--|--|
| Processing temperature                   | -5 ... +40 °C                              |
| Continuous operating temperature         | -35 ... +85 °C                             |
| Note on continuous operating temperature | Insulating parts for temperatures ≤ 105 °C |

### Commercial data

|               |             |
|---------------|-------------|
| Product Group | 20 (Winsta) |
| eCl@ss 10.0   | 27-44-06-05 |
| eCl@ss 9.0    | 27-44-06-05 |
| ETIM 8.0      | EC002560    |

Subject to changes. Please also observe the further product documentation!

WAGO GmbH & Co. KG  
 Hansastr. 27  
 32423 Minden  
 Phone: +49571 887-0 | Fax: +49571 887-169  
 Email: [info.de@wago.com](mailto:info.de@wago.com) | Web: [www.wago.com](http://www.wago.com)

Do you have any questions about our products?  
 We are always happy to take your call at +49 (571) 887-44222.




|                       |               |
|-----------------------|---------------|
| ETIM 7.0              | EC002560      |
| PU (SPU)              | 50 pcs        |
| Packaging type        | box           |
| Country of origin     | PL            |
| GTIN                  | 4050821695639 |
| Customs tariff number | 85366990990   |

## Environmental Product Compliance



|                        |                         |
|------------------------|-------------------------|
| RoHS Compliance Status | Compliant, No Exemption |
|------------------------|-------------------------|

## Approvals / Certificates

### General approvals

| Logo   | Approval                                | Additional Approval Text | Certificate name |
|--|---|--------------------------|------------------|
|  | CB<br>DEKRA Certification B.V.          | IEC 61984                | NL-64351         |
|    | CB<br>DEKRA Certification B.V.          | EN 61984                 | 71-112993        |
|  | cURus<br>Underwriters Laboratories Inc. | UL 1977                  | E45171           |
|  | KEMA/KEUR<br>DEKRA Certification B.V.   | EN 60320                 | 2148952.04       |

### Declarations of conformity and manufacturer's declarations


| Logo   | Approval   | Additional Approval Text | Certificate name |
|--|--|--------------------------|------------------|
|  | EU-Declaration of Conformity<br>WAGO GmbH & Co. KG | -                        | -                |
|  | UK-Declaration of Conformity<br>WAGO GmbH & Co. KG | -                        | -                |

### Approvals for marine applications




Subject to changes. Please also observe the further product documentation!

WAGO GmbH & Co. KG  
Hansastr. 27  
32423 Minden  
Phone: +49571 887-0 | Fax: +49571 887-169  
Email: [info.de@wago.com](mailto:info.de@wago.com) | Web: [www.wago.com](http://www.wago.com)

Do you have any questions about our products?  
We are always happy to take your call at +49 (571) 887-44222.

| Logo   | Approval  | Additional Approval Text | Certificate name |
|--|---|--------------------------|------------------|
|  | <b>DNV GL</b><br>Det Norske Veritas, Germanischer Lloyd | -                        | TAE00001Z6       |

## Counterpart

|  |  |  |
|--|--|--|
|  | <b>Item no.890-254</b><br>Plug; 4-pole; Cod. B; 1,50 mm <sup>2</sup> ; gray  | <a href="http://www.wago.com/890-254">www.wago.com/890-254</a>                   |
|  | <b>Item no.891-8994/005-103</b><br>pre-assembled interconnecting cable; Eca; Socket/plug; 4-pole; Cod. B; Control cable 4 x 1.0 mm <sup>2</sup> ; 1 m; 1,00 mm <sup>2</sup> ; gray | <a href="http://www.wago.com/891-8994/005-103">www.wago.com/891-8994/005-103</a> |
|  | <b>Item no.891-8994/205-103</b><br>pre-assembled connecting cable; Eca; Plug/open-ended; 4-pole; Cod. B; Control cable 4 x 1.0 mm <sup>2</sup> ; 1 m; 1,00 mm <sup>2</sup> ; gray  | <a href="http://www.wago.com/891-8994/205-103">www.wago.com/891-8994/205-103</a> |

## Downloads

### CAD/CAE-Data

#### CAD data

| 2D/3D Models 890-844 | URL | Download |
|----------------------|-----|----------|
|                      |     |          |

#### PCB Design

| Symbol and Footprint 890-844 | URL | Download |
|------------------------------|-----|----------|
|                              |     |          |

CAX data for your PCB design, consisting of "schematic symbols and PCB footprints", allow easy integration of the WAGO component into your development environment.

#### Supported formats:

- Accel EDA 14 & 15
- Altium 6 to current version
- Cadence Allegro
- DesignSpark
- Eagle Libraries
- KiCad
- Mentor Graphics BoardStation
- Mentor Graphics Design Architect
- Mentor Graphics Design Expedition 99 and 2000

Subject to changes. Please also observe the further product documentation!



- OrCAD 9.X PCB and Capture
- PADS PowerPCB 3, 3.5, 4.X, and 5.X
- PADS PowerPCB and PowerLogic 3.0
- PCAD 2000, 2001, 2002, 2004, and 2006
- Pulsonix 8.5 or newer
- STL
- 3D STEP
- TARGET 3001!
- View Logic ViewDraw
- Quadcept
- Zuken CadStar 3 and 4
- Zuken CR-5000 and CR-8000

PCB Component Libraries (EDA), PCB CAD Library Ultra Librarian

---

#### CAE data

|                      |                     |                          |
|----------------------|---------------------|--------------------------|
| ZUKEN Portal 890-844 | <a href="#">URL</a> | <a href="#">Download</a> |
|----------------------|---------------------|--------------------------|

---

#### Environmental Product Compliance

##### Compliance Search

|   |                     |                          |
|---|---------------------|--------------------------|
| Environmental Product Compliance 890-844<br>Socket for PCBs; straight; 4-pole; Cod. B; gray | <a href="#">URL</a> | <a href="#">Download</a> |
|---|---------------------|--------------------------|

---

#### Installation Notes

#### Product family

##### WINSTA® MINI

[Show all products from the family](#)

Subject to changes. Please also observe the further product documentation!