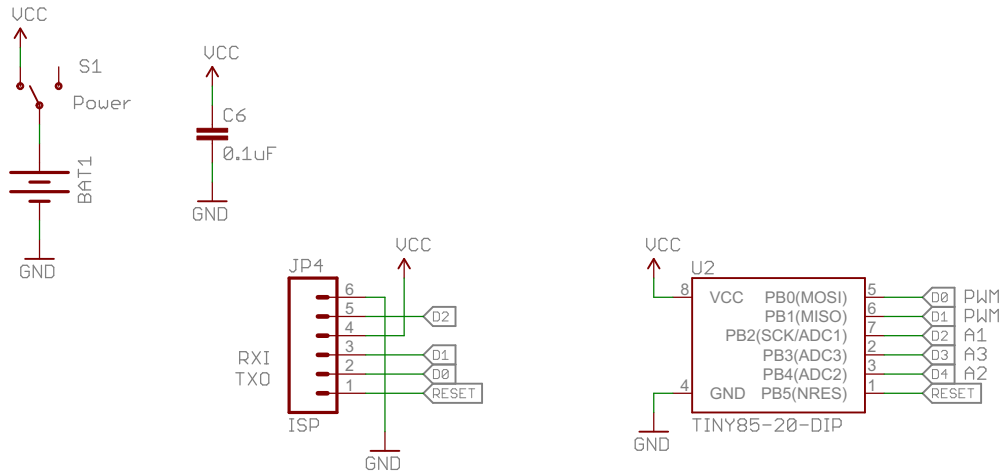
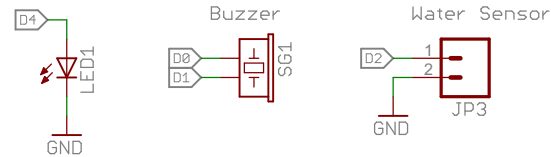


Changes to v1.2:  
 Corrected FP for CR2032 holder  
 Removed 10k pull up on RES



Special in-circuit programming SIP connection.



Released under the Creative Commons Attribution Share-Alike 3.0 License <a href="http://creativecommons.org/licenses/by-sa/3.0">http://creativecommons.org/licenses/by-sa/3.0</a>			<input type="radio"/>	<input type="radio"/>
TITLE: H2OhNo	SFE	SFE		
Design by: N. Seidle	REV: v1.2			
Date: 11/15/2013 8:52:02 AM	Sheet: 1/1			