

Sales Outline Drawing

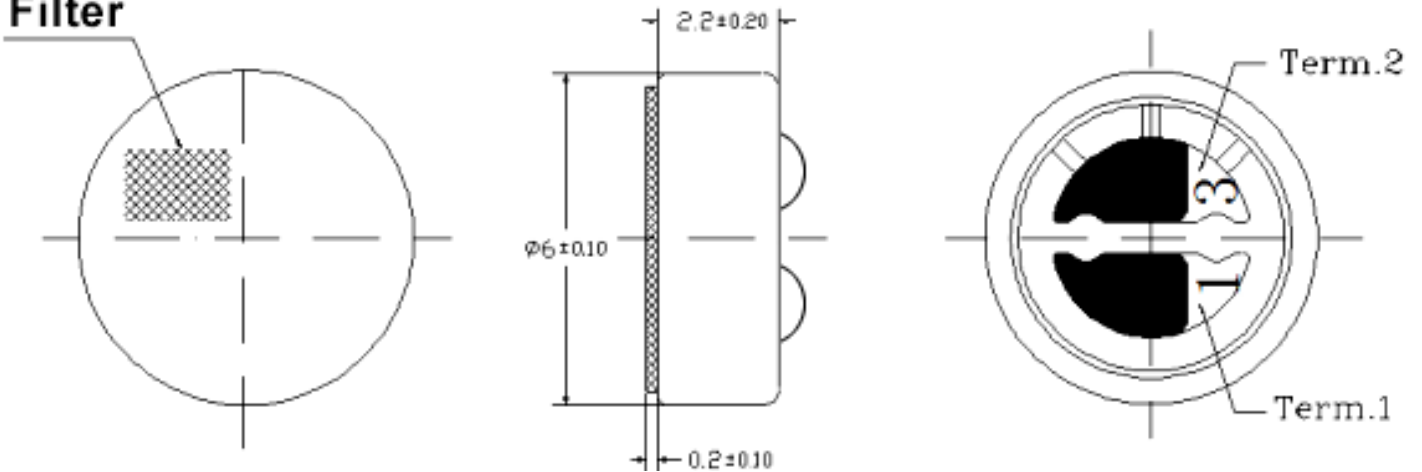
Specifications:

| | |
|-------------------------|---|
| Sensitivity Range | -42 ± 3 dB $R_L = 2.2\text{ k}\Omega$ $V_{cc} = 2.0\text{v}$ (1 kHz 0 dB = 1 v/Pa) |
| Impedance | Max. 2.2k Ω 1 kHz ($R_L = 2.2\text{ k}\Omega$) |
| Frequency | 20 - 16000 Hz |
| Current Consumption | Max 0.5 mA |
| Operating Voltage Range | 1.0 – 10 V |
| Max SPL (dB) | 120 dB |
| S/N Ration | More than 58 dB |
| Sensitivity Reduction | 2.0 –1.5V Variation less than 3 dB |
| Storage Condition | -45 ~ +75°C; R.H. < 90% |
| Operating Condition | -10 ~ +45°C; R.H. < 90% |
| Weight (g) | 0.3 |
| Options | For other options contact factory |

Dimensions: (units: mm)

ROHS Compliant

Filter



Schematic Diagram:

