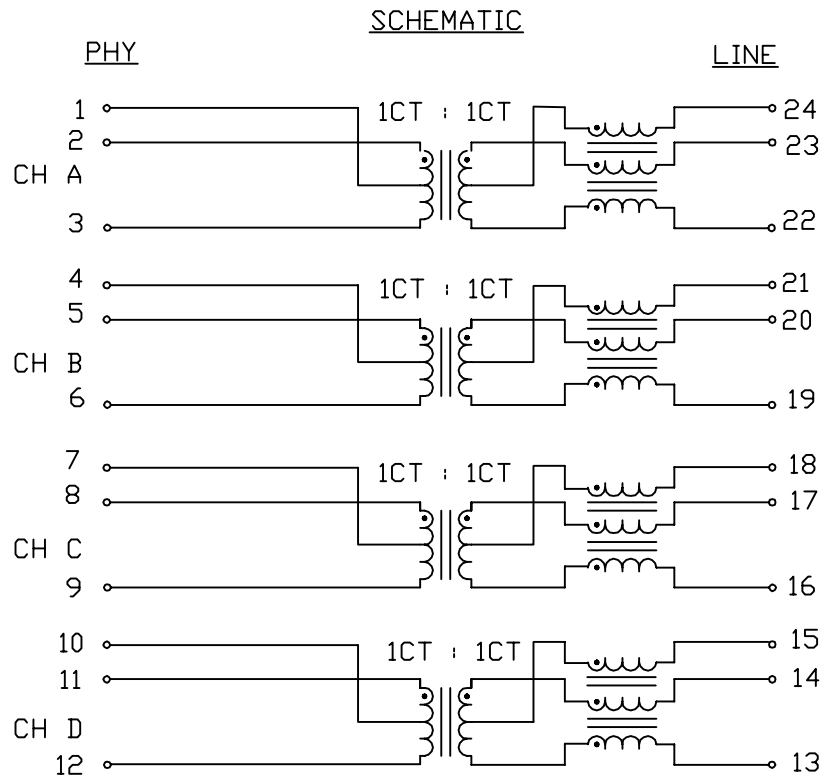


THE INFORMATION CONTAINED HEREIN IS CONSIDERED 'PROPRIETARY' TO BEL FUSE INC. AND SHALL NOT BE COPIED, REPRODUCED OR DISCLOSED WITHOUT THE WRITTEN APPROVAL OF BEL FUSE INC.

ELECTRICAL SPECIFICATION @25°C



TURNS RATIO  
 (2-1-3) : (23-24-22)  
 (5-4-6) : (20-21-19)  
 (8-7-9) : (17-18-16)  
 (11-10-12) : (14-15-13)

1CT : 1CT  
 1CT : 1CT  
 1CT : 1CT  
 1CT : 1CT

POLARITY

PER DOT CONVENTION

□CL

@100kHz, 100mV, 19mA DC BIAS  
 @100kHz, 100mV

120uH MIN  
 180uH MIN

HIPOT

2250VDC @5SEC

INSERTION LOSS

FREQ(MHz)	1	2-300	400	500
MAX (dB)	0.3	1.0	1.5	2.0

RETURN LOSS

<100 OHM LINESIDE LOAD>

FREQ(MHz)	1	2-100	200	500	600
MIN (dB)	18	20	15	12	9

COMM. TO DIFF. MODE REJECTION

FREQ(MHz)	50	100	200	300	400	500
MAX (dB)	48	42	36	33	30	28

DIFF. TO COMM. MODE REJECTION

FREQ(MHz)	50	100	200	300	400	500
MAX (dB)	30	27	24	22	21	20

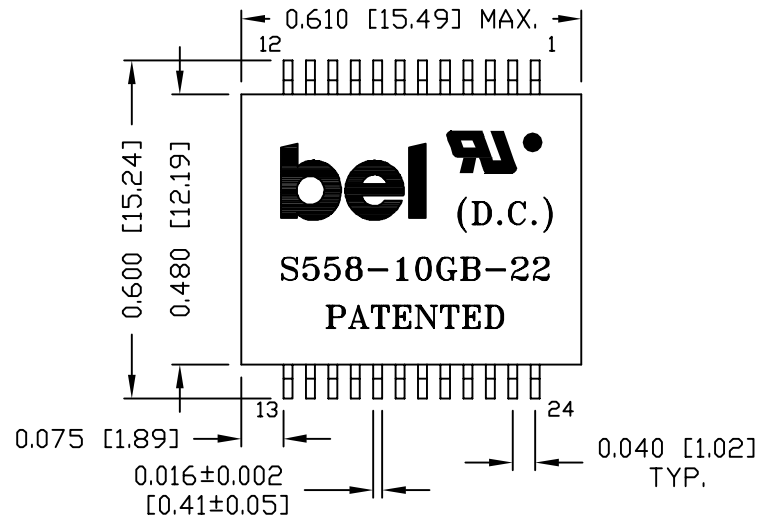
BALANCED DC LINE CURRENT: 600mA NOMINAL CONTINUOUS  
 720mA MAXIMUM CONTINUOUS  
 1.2A MAXIMUM FOR 200mS

DESIGNED FOR EXTENDED TEMPERATURE 10G 60W POE APPLICATIONS

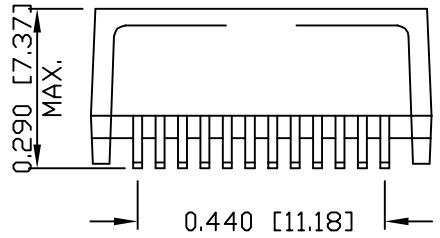
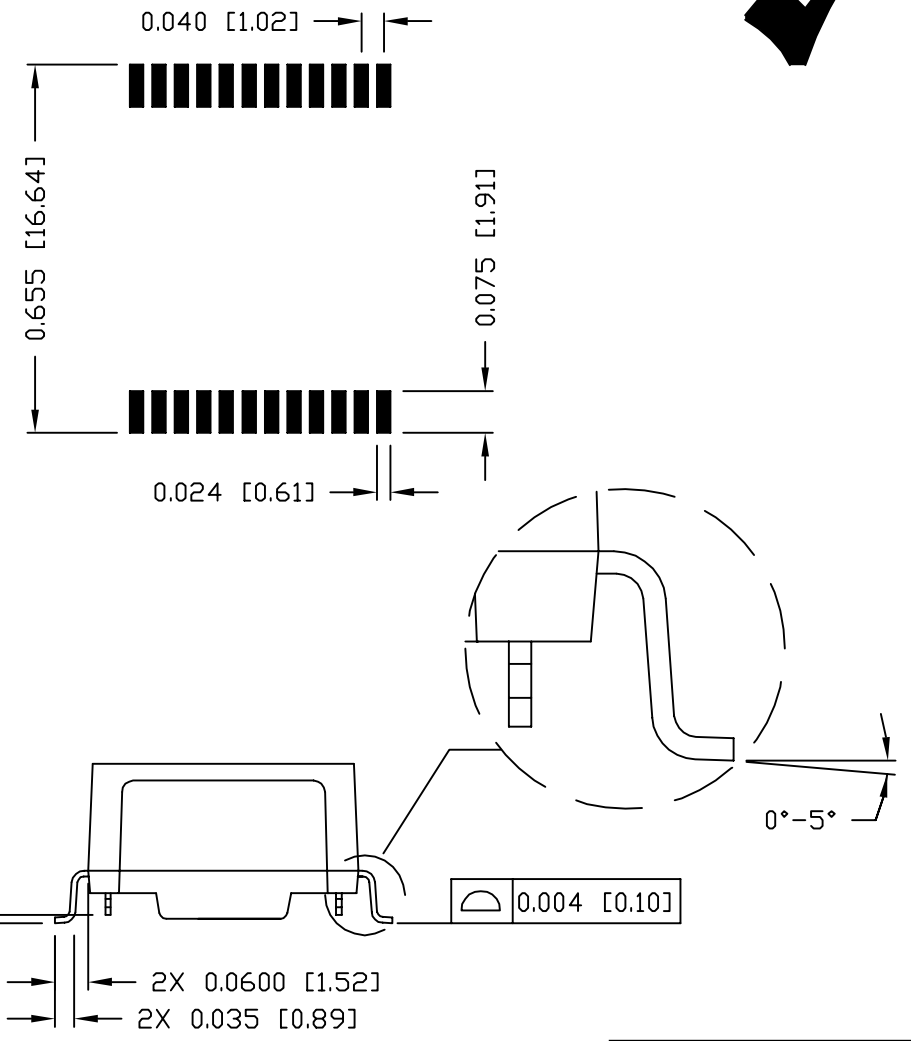
\* INTERNAL USE ONLY

ORIGINATED BY	DATE	TITLE	PART NO. / DRAWING NO.	STANDARD DIM.	[ ] METRIC DIM. AS REF.	REV. : PA	PAGE : 2
Alice Pang	2017-11-15	ELECTRICAL SPECIFICATION	S558-10GB-22	TOL. IN INCH	UNIT : INCH [mm]	 POWER   PROTECT   CONNECT	
DRAWN BY	DATE		FILE NAME	.X	SCALE : N/A		
ZC Guo	2017-11-15		S55810GB22PA.DWG	.XX	SIZE : A4		
				.XXX			

THE INFORMATION CONTAINED HEREIN IS CONSIDERED "PROPRIETARY" TO BEL FUSE INC. AND SHALL NOT BE COPIED, REPRODUCED OR DISCLOSED WITHOUT THE WRITTEN APPROVAL OF BEL FUSE INC.



SUGGESTED PCB PAD LAYOUT



- NOTES:  
 1. STANDARD MARKING REFER TO DOC. HAND-WORK-04.  
 2. PACKAGE CODE: "QABS001".

ORIGINATED BY	DATE	TITLE
Lawrence Tsang	2017-07-12	MECHANICAL SPECIFICATION
DRAWN BY	DATE	
ZC Guo	2017-07-12	

PART NO. / DRAWING NO.	STANDARD DIM.	[ ] METRIC DIM. AS REF.
S558-10GB-22	TOL. IN INCH	UNIT : INCH [mm]
FILE NAME	.X	SCALE : N/A
S55810GB22PA.DWG	.XX ±0.01	SIZE : A4
	.XXX ±0.005	

REV. : PA    PAGE : 3