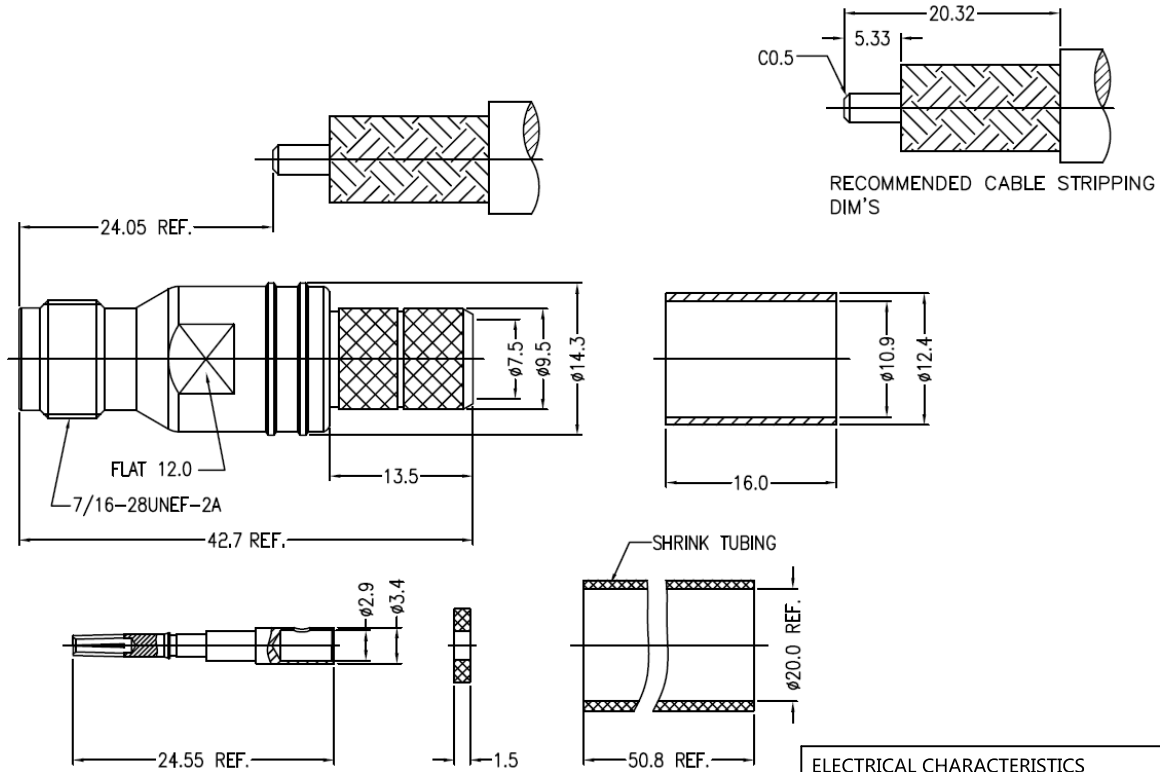


NOTICE OF PROPRIETARY RIGHTS THIS DOCUMENT CONTAINS CONFIDENTIAL TECHNICAL DATA, INCLUDING TRADE SECRETS, PROPRIETARY TO TIMES MICROWAVE SYSTEMS. DISCLOSURE OF THIS DATA IS EXPRESSLY CONDITIONED UPON YOUR ASSENT THAT ITS USE IS LIMITED TO USE WITHIN YOUR COMPANY ONLY. ANY OTHER USE IS STRICTLY PROHIBITED WITHOUT THE PRIOR WRITTEN CONSENT OF TIMES MICROWAVE SYSTEMS.

SYM	REVISION DESCRIPTION	DFTM	DATE	APPD	DATE
A	RELEASED FOR PRODUCTION	N. N. N	5/13/14	J. D. B.	5/23/14
B	CHANGED PER CDC #48697	D. J. H.	3/26/18	D. A. R.	3/26/18



REMARKS:

1. CRIMPED FERRULE HEX. CRIMP SIZE .429"
2. CONTACT PIN IS SOLDERED.

ELECTRICAL CHARACTERISTICS		
Impedance	50 Ω	
Voltage rating	500 V(rms)	
Frequency range	0 ~ 6 GHz	
Dielectric withstanding voltage	1000 V	
Contact resistance	Center contact	<1.5 mΩ
	Outer contact	<0.2 mΩ
Insulation resistance	≥5000 MΩ	
Insertion loss	According as the cable	
RF-leakage	N/A	
VSWR	1.3 MAX	
3rd Intermodulation	N/A	

ENVIRONMENTAL CHARACTERISTICS	
Temperature range	-55 °C ~ +125 °C
Vibration	MIL-STD-202G, Method.204, Cond B
Shock	MIL-STD-202G, Method.213, Cond I
Thermal Shock	MIL-STD-202G, Method.107, Cond B

MATERIALS AND PLATING		UNIT: MICRO-INCHES
BODY	BRASS PER C3604	ALBALOY 80u"/COPPER
CONTACT PIN	BERYLLIUM COPPER	GOLD 50u"/NICKEL/COPPER
INSULATOR	TEFLON ASTM-D-1710	NATURAL
FERRULE	BRASS	ALBALOY 80u"/COPPER

MECHANICAL CHARACTERISTICS	
Force to engage and disengage	N/A
Center contact retention force	6 lbs min
Recommended coupling torque	N/A
Coupling nut retention force	N/A
Durability	≥ 500 cycles

MATL: SEE ABOVE	UNLESS OTHERWISE SPECIFIED		DFTM. N. N. N	TIMES MICROWAVE SYSTEMS
	ALL DIMENSIONS ARE IN mm		DATE 5/13/14	
USED ON: 0-3	UNLESS OTHERWISE SPECIFIED: 1) EDGES C0.15 MAX; 2) REMOVE ALL BURRS; 3) SURFACE ROUGHNESS Ra1.6; 4) UNITS mm; 5) DIMENSIONS TOLERANCES DECIMALS ANGLES .x ±0.3 ±5° .xx ±0.2		CHKD. J. D. B.	TC-400-TF-X TNC for LMR-400
			DATE 5/23/14	
SCALE: ~	DWG. SIZE A	DO NOT SCALE DRAWING	APPD. J. D. B.	1 of 1 SD3190-3051 B
		CODE IDENT 68999	DATE 5/23/14	