

MATERIALS AND FINISHES:

BODY, JAM NUT: BRASS
FINISH: SEE TABLE

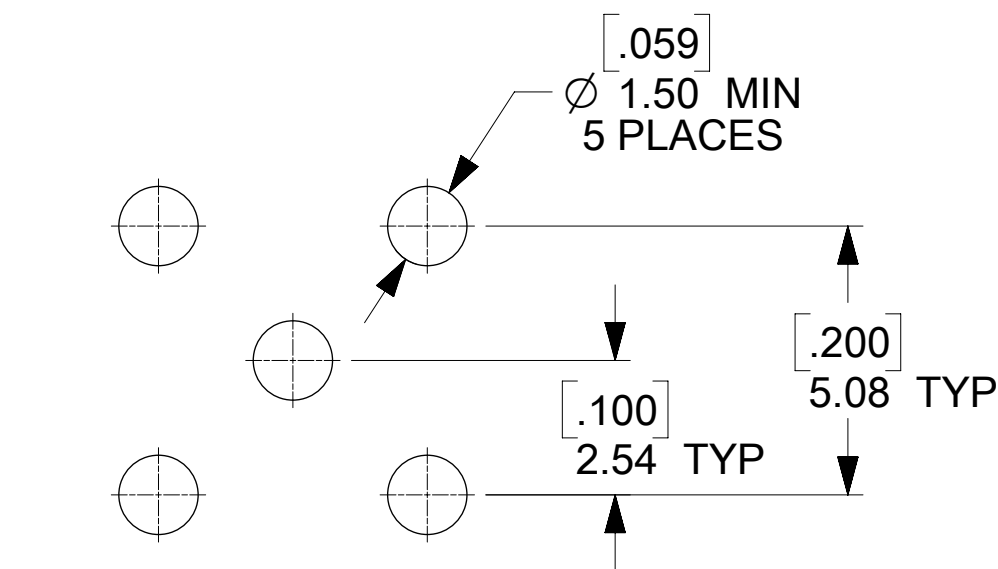
CENTER CONTACT: BERYLLIUM COPPER
PLATED GOLD

INSULATOR: TEFLON

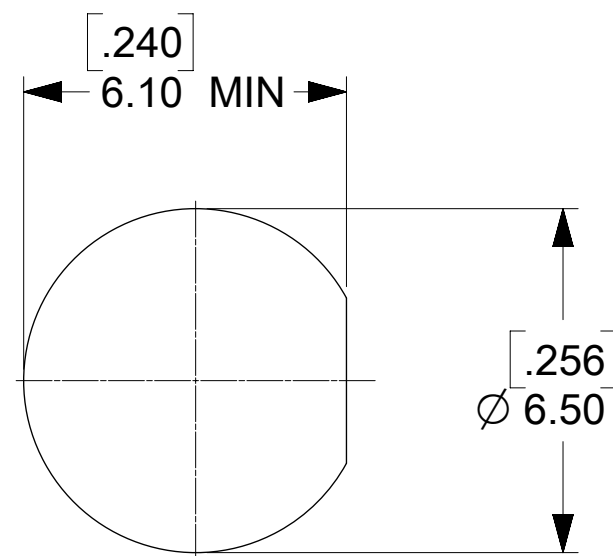
LOCKWASHER: PHOSPHOR BRONZE
FINISH: SEE TABLE

ELECTRICAL REQUIREMENTS:

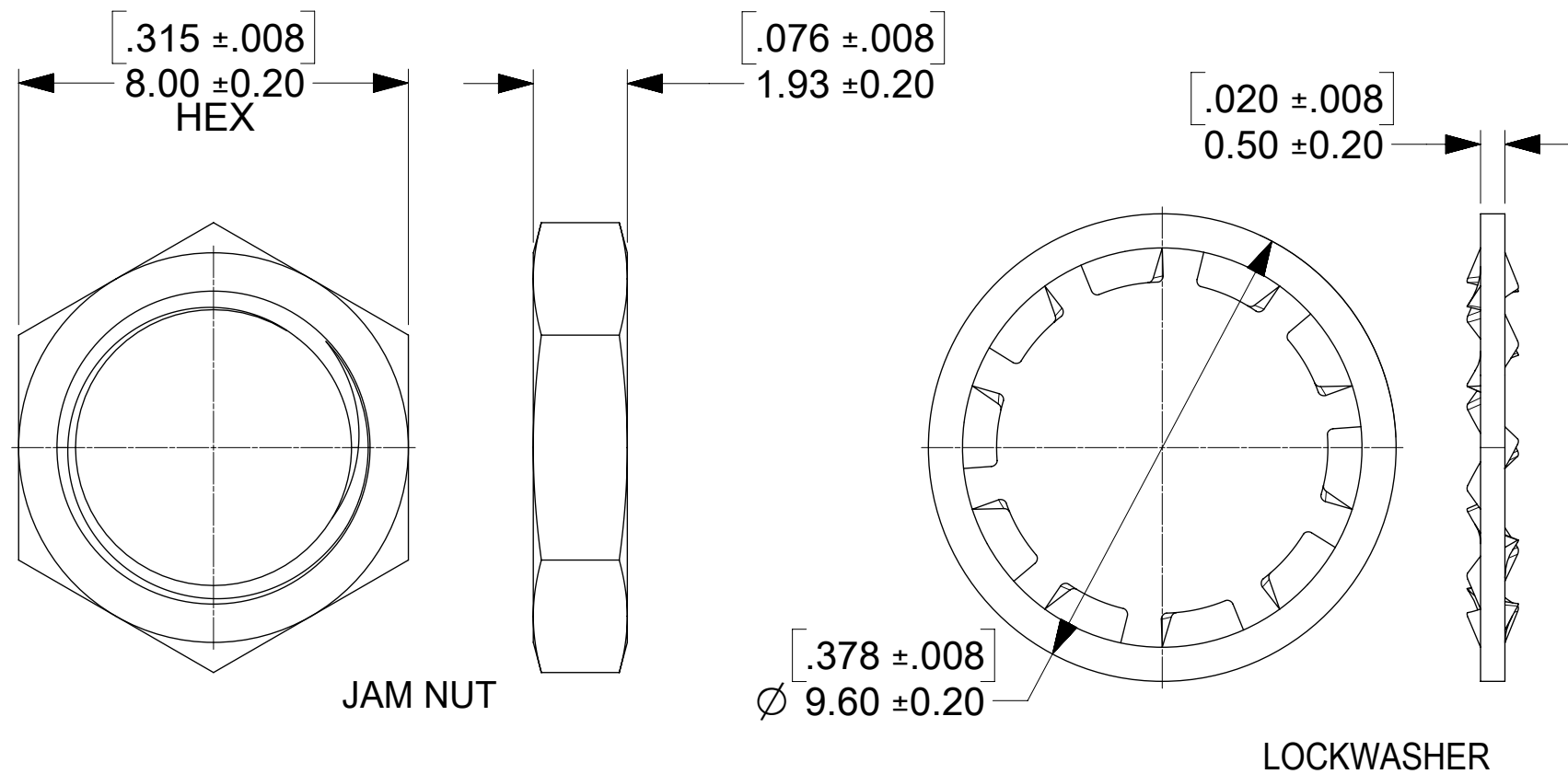
- VOLTAGE STANDING WAVE RATIO
 - 1.1(MAX) @0-6GHz.
 - 1.5(MAX) @6-12GHz.
 - 1.8(MAX) @12-18GHz.
- RF INSERTION LOSS:
 - 0.1(MAX) @0-6GHz.
 - 0.4(MAX) @6-12GHz.
 - 0.7(MAX) @12-18GHz.



RECOMMENDED PCB LAYOUT

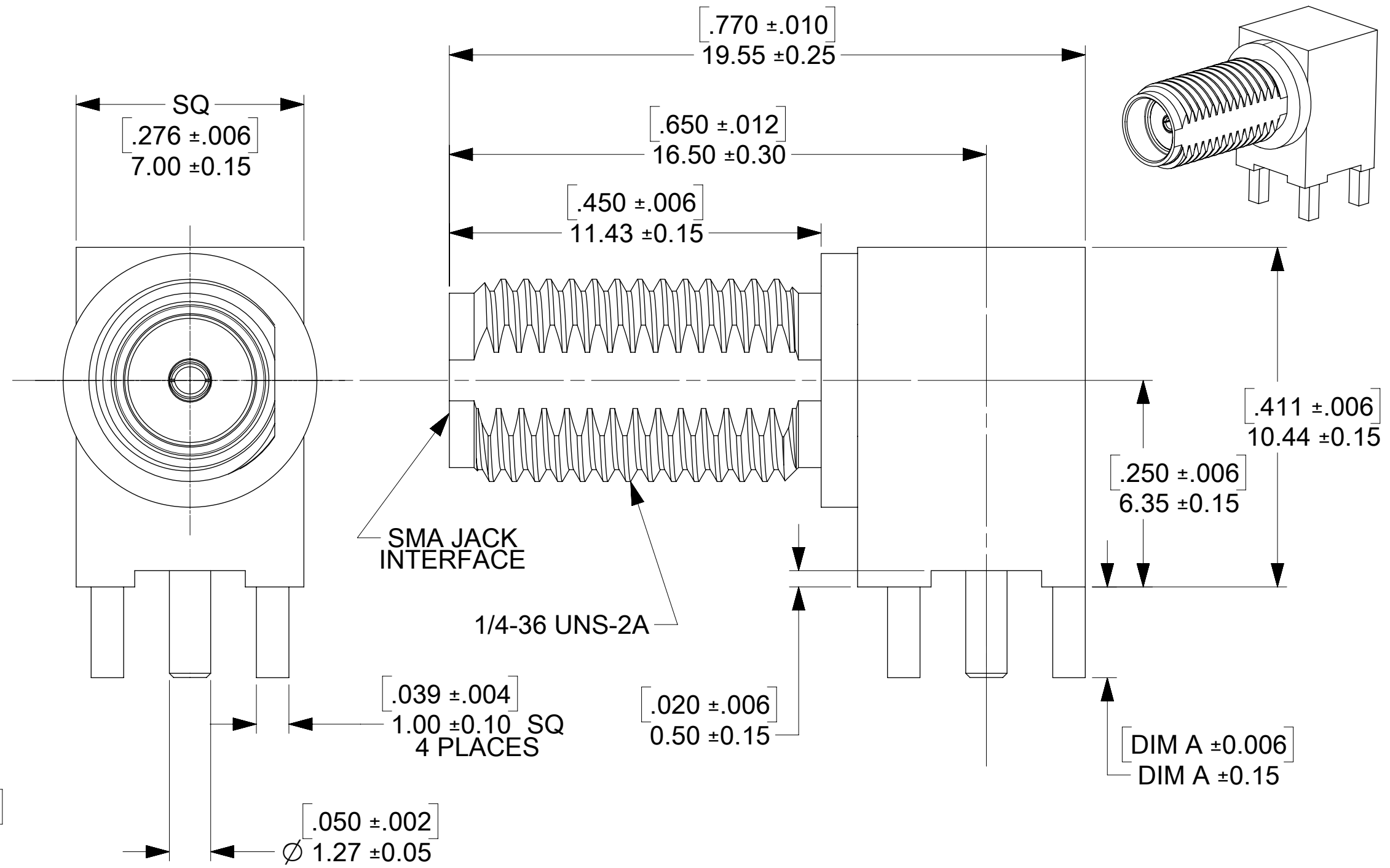


RECOMMENDED PANEL CUTOUT



JAM NUT

LOCKWASHER



SEE SD-73251-496 FOR PART NO. CONTINUATION

73251-2209	GOLD FLASH / STANDARD TRAY	3.94	.155
73251-2208	GOLD FLASH/STANDARD TRAY W/O WASHER AND NUT	3.94	.155
73251-2207	73251-2201 PACKAGED ONE PER BAG	2.79	.110
73251-2206	SAME AS 73251-2201 EXCEPT COMMERCIAL CONTACT	2.79	.110
73251-2205	SAME AS 73251-2200 EXCEPT COMMERCIAL CONTACT	2.79	.110
73251-2204	GOLD FLASH/STANDARD TRAY W/O WASHER AND NUT	2.79	.110
73251-2203	GOLD FLASH / STANDARD TRAY (54 CAVITY)	2.79	.110
73251-2202	73251-2201 PACKAGED IN SMALL TRAY (20 CAVITY)	2.79	.110
73251-2201	GOLD / STANDARD TRAY	2.79	.110
73251-2200	NICKEL / STANDARD TRAY	2.79	.110
PART NO.	PLATING (BODY, NUT, LOCKWASHER) AND PACKAGING	mm	IN
		DIM A	

PS-89675-368	SOLDER SPEC PROFILE
PS-89675-346	ELECTRO/MECH PERFORM.
SPECIFICATION	DESCRIPTION

FUNCTIONAL SYMBOLS	THIS DRAWING CONTAINS INFORMATION THAT IS PROPRIETARY TO MOLEX ELECTRONIC TECHNOLOGIES, LLC AND SHOULD NOT BE USED WITHOUT WRITTEN PERMISSION			
	DIMENSION UNITS	SCALE	CURRENT REV DESC: ADD SOLDER SPEC NO. PER EWR14716-B	
$\nabla_A = 0$	mm	NTS		
$\nabla_C = 0$	GENERAL TOLERANCES (UNLESS SPECIFIED)			
	ANGULAR TOL ± °			
$\nabla_P = 0$	4 PLACES	±	EC NO: 675413	
	3 PLACES	±	DRWN: CWEI02 2021/08/24	
DIVISIONAL SYMBOLS	2 PLACES	±	CHK'D: YCHENG 2021/08/26	
	1 PLACE	±	APPR: YCHENG 2021/08/26	
0 PLACES	±	INITIAL REVISION:		
DRAFT WHERE APPLICABLE MUST REMAIN WITHIN DIMENSIONS	THIRD ANGLE PROJECTION		DRWN: AROBERTSON 2012/11/21	2012/11/21
	DRAWING SERIES		APPR: JWIENER 2012/11/21	2012/11/21
DRAWING SERIES		C-SIZE	73251	
MATERIAL NUMBER		CUSTOMER	SHEET NUMBER	
SEE TABLE		GENERAL MARKET	1 OF 1	

molex

SMA JACK, R/A PCB 50 OHM
SMA-J/RA/PCB EWR-2144

PRODUCT CUSTOMER DRAWING

DOCUMENT NUMBER DOC TYPE DOC PART REVISION

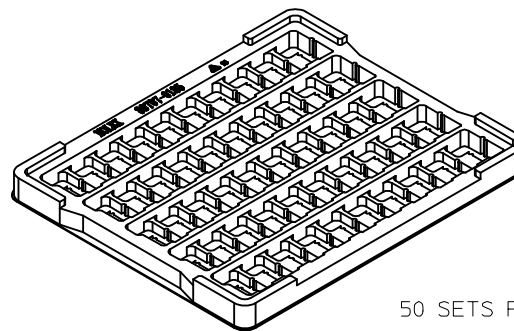
SD-73251-220 PSD 000 D14

MATERIAL NUMBER CUSTOMER SHEET NUMBER

SEE TABLE GENERAL MARKET 1 OF 1

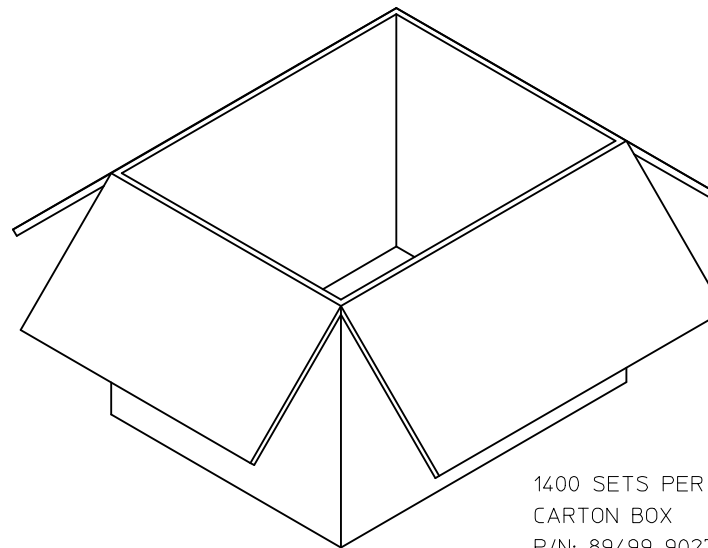


P/N: 73251-2200 / 73251-2201
 73251-2205 / 73251-2206
 73251-2208 / 73251-2209



50 SETS PER TRAY
 TRAY P/N: 89707-0185

FOR 73251-2200, 73251-2201,
 73251-2205, 73251-2206,
 73251-2208, AND 73251-2209

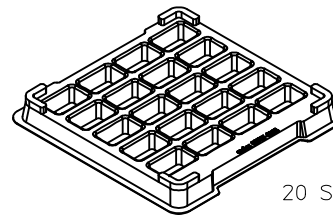


1400 SETS PER OUTER
 CARTON BOX
 P/N: 89499-9027

CHG NEW RELEASE PER RF13-E131 EC NO: URF2013-0734 DRAWN BY: RYEH CHKD: KERRIE APPR: MHUANG 2013/06/28 2013/07/26	QUALITY SYMBOLS	GENERAL TOLERANCES (UNLESS SPECIFIED)	DIMENSION STYLE	SCALE	DESIGN UNITS	THIRD ANGLE PROJECTION
	▽=0	mm INCH	MM/IN	2.5:1	METRIC	
	▽=0	4 PLACES ± --- ± ---	DRAWN BY DATE	TITLE		
	▽=0	3 PLACES ± --- ± ---	CHECKED BY DATE	SMA JACK R/A PCB TH		
		2 PLACES ± --- ± ---	APPROVED BY DATE	50 OHMS		
		1 PLACE ± --- ± ---	MHUANG 2013/07/26	SMA-J/PCB		
		0 PLACE ± --- ± ---		molex		
		ANGULAR ± 2°	MATERIAL NO.	DOCUMENT NO.	SHEET NO.	
		DRAFT WHERE APPLICABLE MUST REMAIN WITHIN DIMENSIONS	SEE TABLE	SD-73251-220-PKG	1 OF 4	
			SIZE C THIS DRAWING CONTAINS INFORMATION THAT IS PROPRIETARY TO MOLEX INCORPORATED AND SHOULD NOT BE USED WITHOUT WRITTEN PERMISSION			

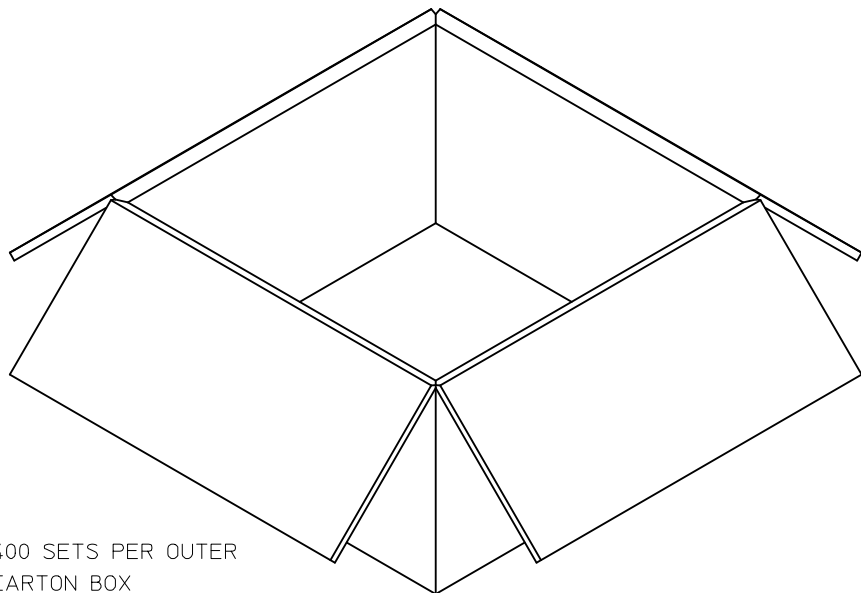


P/N: 73251-2202

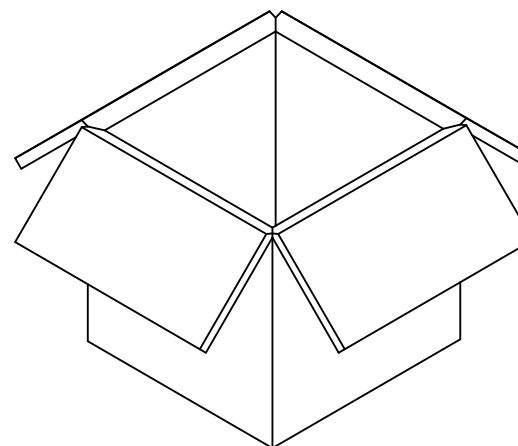


20 SETS PER TRAY
TRAY P/N: 89707-0308

FOR 73251-2202 ONLY



400 SETS PER OUTER
CARTON BOX
P/N: 96707-0002



200 SETS PER INNER
CARTON BOX
P/N: 96707-0005

CHG:SEE SHEET 1
EC NO: URF2013-0734
DRAWN:RYEH 2013/06/28
CHKD:
APPR:MHUANG 2013/07/26

REV	DESCRIPTION	QUALITY SYMBOLS
A		▽=0
		▽=0
		▽=0

GENERAL TOLERANCES (UNLESS SPECIFIED)

	mm	INCH
4 PLACES	± .005	± .0005
3 PLACES	± .005	± .0005
2 PLACES	± .005	± .0005
1 PLACE	± .005	± .0005
0 PLACE	± .005	± .0005

ANGULAR ± 2°

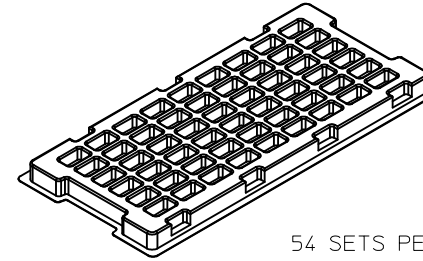
DRAFT WHERE APPLICABLE MUST REMAIN WITHIN DIMENSIONS

DIMENSION STYLE		SCALE		DESIGN UNITS	
MM/IN		2:1		METRIC	
DRAWN BY	DATE	TITLE			
RYEH	2013/06/28	SMA JACK R/A PCB TH			
CHECKED BY	DATE	50 OHMS			
KERRIE	2013/06/28	SMA-J/PCB			
APPROVED BY	DATE	molex			
MHUANG	2013/07/26				
MATERIAL NO.	DOCUMENT NO.	SHEET NO.			
SEE TABLE	SD-73251-220-PKG	2 OF 4			

THIS DRAWING CONTAINS INFORMATION THAT IS PROPRIETARY TO MOLEX INCORPORATED AND SHOULD NOT BE USED WITHOUT WRITTEN PERMISSION

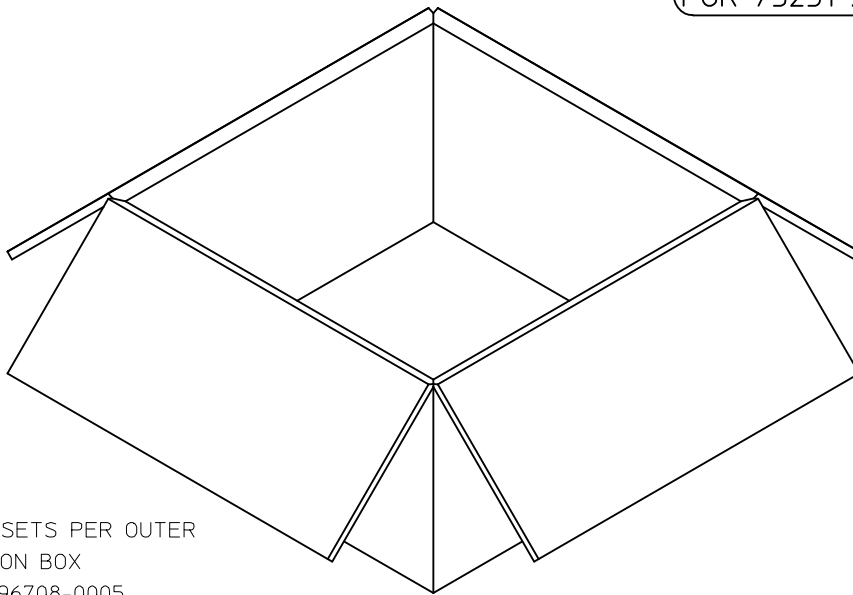


P/N: 73251-2203 / 73251-2204

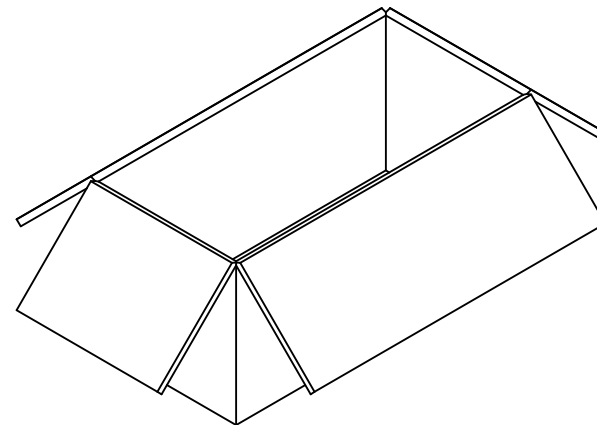


54 SETS PER TRAY
TRAY P/N: 89707-0220

FOR 73251-2203 AND 73251-2204



1080 SETS PER OUTER
CARTON BOX
P/N: 96708-0005

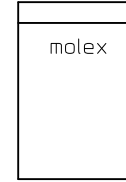


540 SETS PER INNER
CARTON BOX
P/N: 96707-0001

CHG:SEE SHEET 1 EC NO: URF2013-0734 DRAWN: RYEH 2013/06/28 CHKD: APPR: MHUANG 2013/07/26 REV:	QUALITY SYMBOLS	GENERAL TOLERANCES (UNLESS SPECIFIED)	DIMENSION STYLE	SCALE	DESIGN UNITS	THIRD ANGLE PROJECTION
	▽=0	mm INCH	MM/IN	2:1	METRIC	
	▽=0	4 PLACES ± --- ± ---	DRAWN BY DATE	TITLE		
	▽=0	3 PLACES ± --- ± ---	RYEH 2013/06/28	SMA JACK R/A PCB TH		
	2 PLACES ± --- ± ---	CHECKED BY DATE	50 OHMS			
	1 PLACE ± --- ± ---	KERRIE 2013/06/28	SMA-J/PCB			
	0 PLACE ± --- ± ---	APPROVED BY DATE	molex			
	ANGULAR ± 2 °	MHUANG 2013/07/26	MATERIAL NO.	DOCUMENT NO.	SHEET NO.	
	DRAFT WHERE APPLICABLE MUST REMAIN WITHIN DIMENSIONS	SEE TABLE	SD-73251-220-PKG	3 OF 4		
		THIS DRAWING CONTAINS INFORMATION THAT IS PROPRIETARY TO MOLEX INCORPORATED AND SHOULD NOT BE USED WITHOUT WRITTEN PERMISSION				

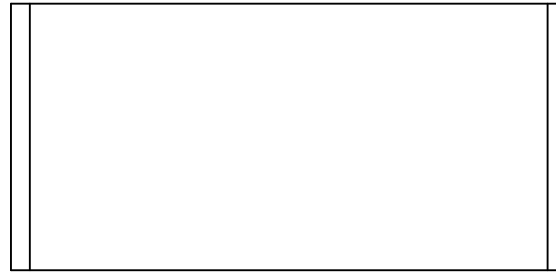


P/N: 73251-2207

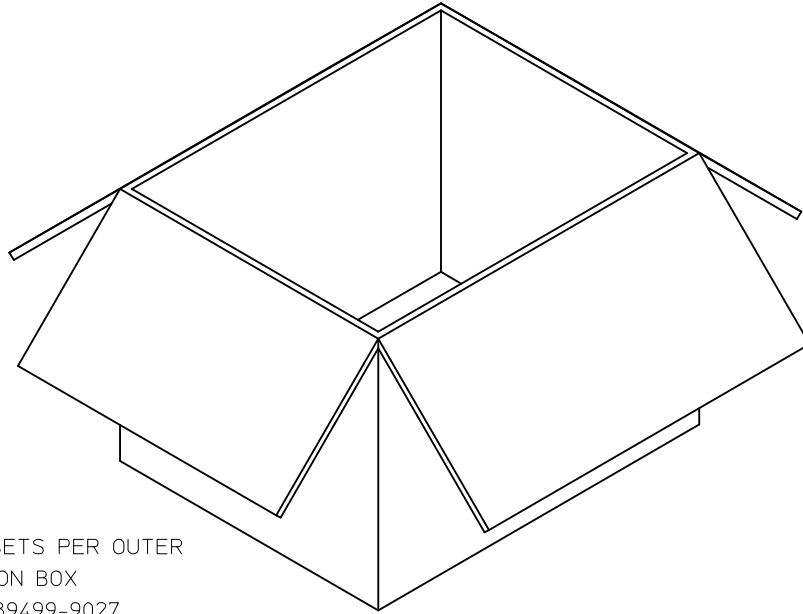


1 SET PER POLYBAG
P/N: 89707-0317

FOR 73251-2207 ONLY



50 SETS PER POLYBAG
P/N: 89707-0174



500 SETS PER OUTER
CARTON BOX
P/N: 89499-9027



CHG:SEE SHEET 1
EC NO: URF2013-0734
DRAWN:RYEH
CHKD:
APPR:MHUANG

2013/06/28
2013/07/26

DESCRIPTION

REV

QUALITY SYMBOLS
= 0
= 0
= 0

GENERAL TOLERANCES (UNLESS SPECIFIED)

	MM/IN	
	mm	INCH
4 PLACES	± .005	± .0002
3 PLACES	± .005	± .0002
2 PLACES	± .005	± .0002
1 PLACE	± .005	± .0002
0 PLACE	± .005	± .0002

ANGULAR ± 2 °

DRAFT WHERE APPLICABLE MUST REMAIN WITHIN DIMENSIONS

DIMENSION STYLE		SCALE	DESIGN UNITS	THIRD ANGLE PROJECTION
MM/IN		1:1	METRIC	
DRAWN BY	DATE	TITLE SMA JACK R/A PCB TH 50 OHMS SMA-J/PCB molex		
RYEH	2013/06/28			
CHECKED BY	DATE			
KERRIE	2013/06/28			
APPROVED BY	DATE	DOCUMENT NO. SD-73251-220-PKG		
MHUANG	2013/07/26			
MATERIAL NO.	SEE TABLE	SHEET NO. 4 OF 4		
SIZE	THIS DRAWING CONTAINS INFORMATION THAT IS PROPRIETARY TO MOLEX INCORPORATED AND SHOULD NOT BE USED WITHOUT WRITTEN PERMISSION			

MATERIALS AND FINISHES:

BODY, JAM NUT: BRASS
FINISH: SEE TABLE

CENTER CONTACT: BERYLLIUM COPPER
PLATED GOLD

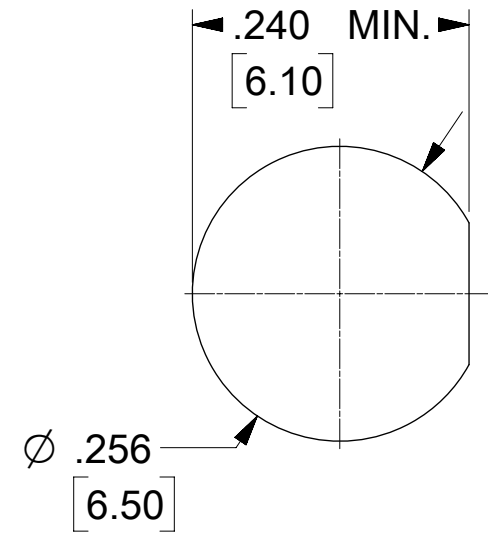
INSULATOR: TEFLON

LOCK WASHER: PHOSPHOR BRONZE
FINISH: SEE TABLE

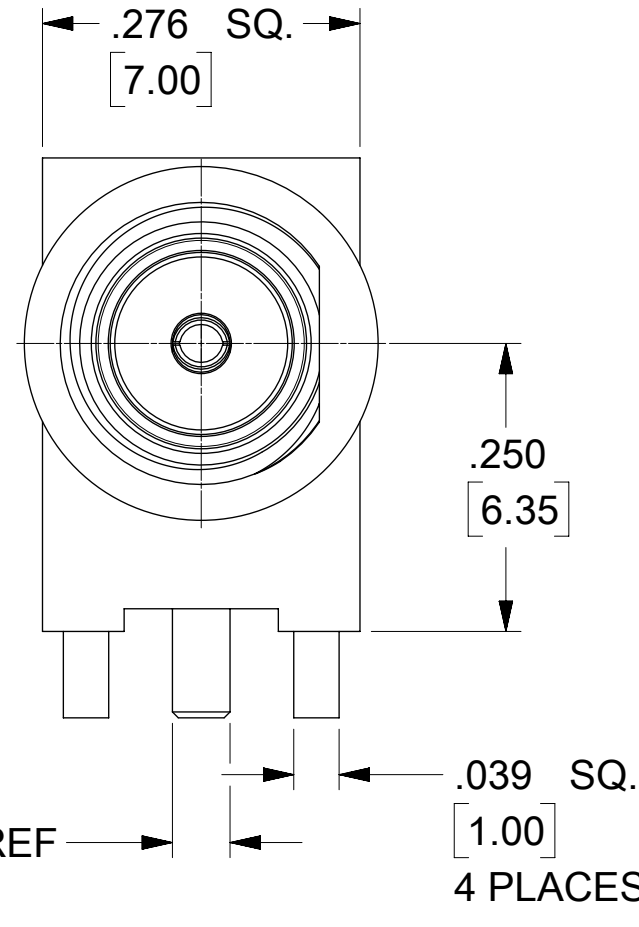
PACKAGING: SEE TABLE

ELECTRICAL REQUIREMENTS:

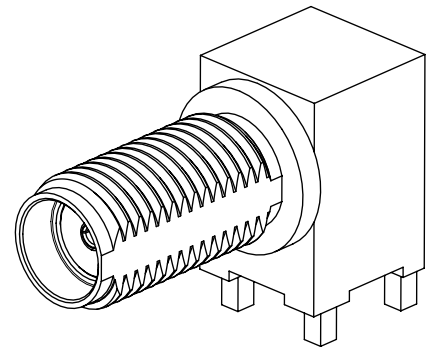
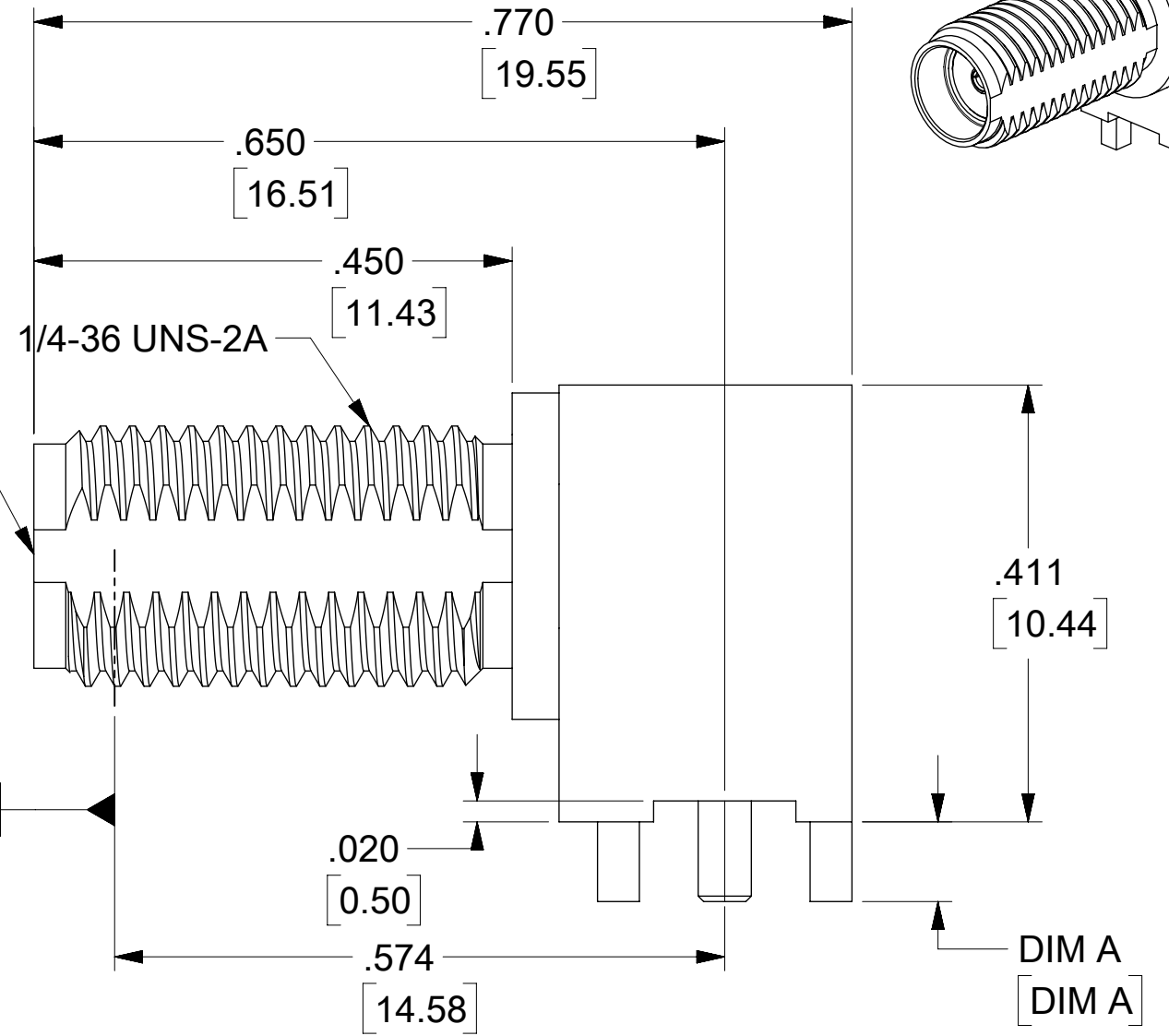
- VOLTAGE STANDING WAVE RATIO
 - 1.1(MAX) @0-6GHz.
 - 1.5(MAX) @6-12GHz.
 - 1.8(MAX) @12-18GHz.
- RF INSERTION LOSS:
 - 0.1(MAX) @0-6GHz.
 - 0.4(MAX) @6-12GHz.
 - 0.7(MAX) @12-18GHz.



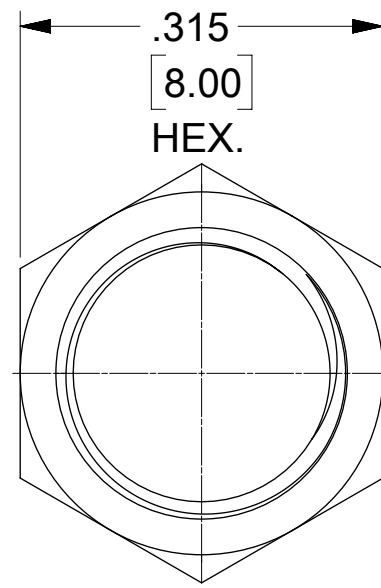
PANEL CUTOUT
.135 / 3.42 MAX THICKNESS



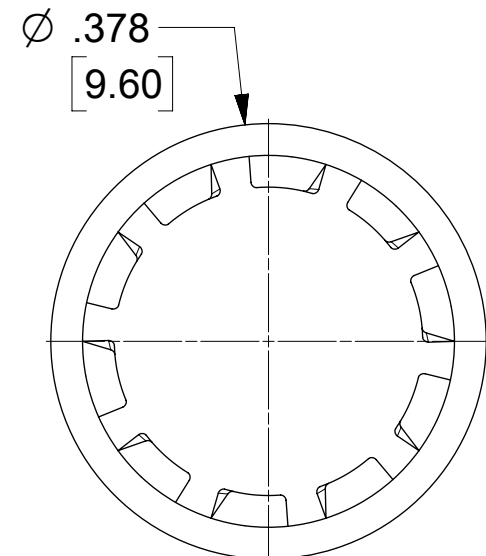
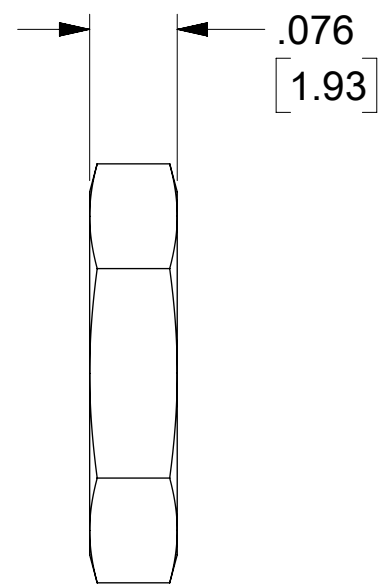
SMA JACK INTERFACE



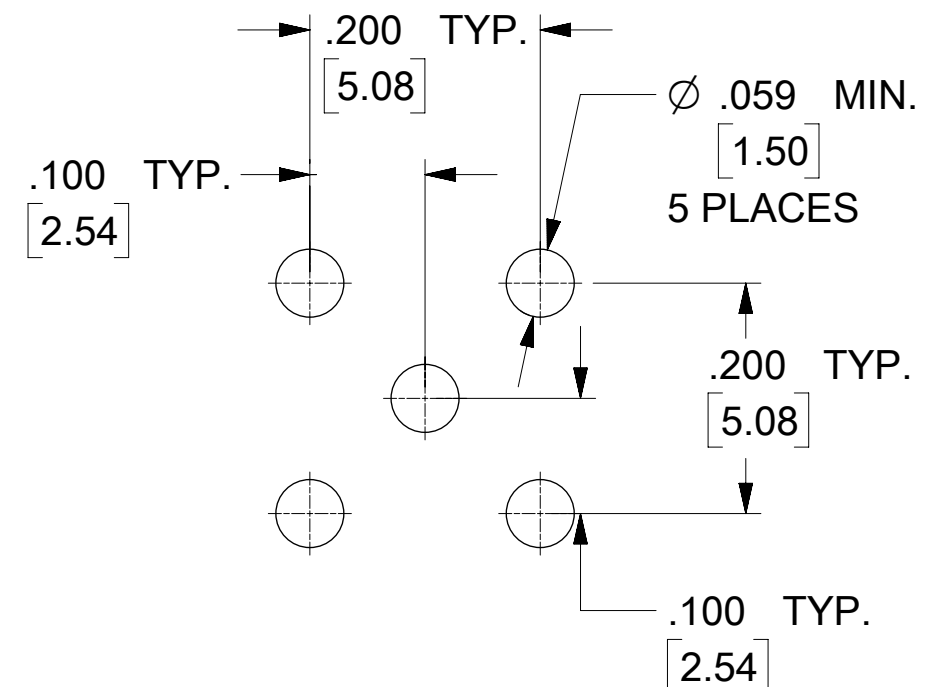
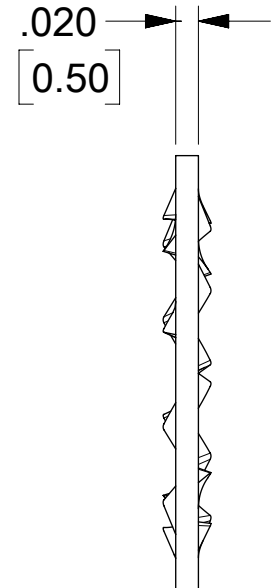
73251-4967	73251-2201 TAPE AND REEL
73251-4966	BAG
73251-4965	TRAY
73251-4964	
73251-4963	
73251-4962	
73251-4961	
73251-4960	
PART NO.	PACKAGING



JAM NUT



LOCK WASHER



RECOMMENDED PCB LAYOUT

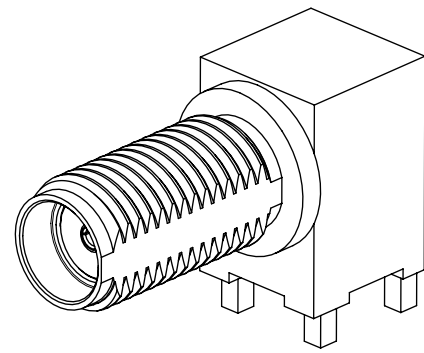
SD-73251-496 IS CONTINUATION FOR SD-73251-220

PART NO.	JAM NUT QTY	WASHER QTY	IN / MM	BODY	CONTACT	JAM NUT & LOCK WASHER
73251-4967	1	1	.110 / 2.79	GOLD (5μ-in MIN) OVER NICKEL (50μ-in MIN)	GOLD (30μ-in MIN) OVER NICKEL(100μ-in MIN)	GOLD (1μ-in MIN) OVER NICKEL (50μ-in MIN)
73251-4966	1	1	.110 / 2.79	NICKEL (100μ-in MIN)	GOLD (30μ-in MIN) OVER NICKEL(100μ-in MIN)	NICKEL (100μ-in MIN)
73251-4965	2	1	.110 / 2.79	GOLD (5μ-in MIN) OVER NICKEL (50μ-in MIN)	GOLD (30μ-in MIN) OVER NICKEL(100μ-in MIN)	GOLD (1μ-in MIN) OVER NICKEL (50μ-in MIN)
73251-4964	1	1	.075 / 1.91	GOLD (5μ-in MIN) OVER NICKEL (50μ-in MIN)	GOLD (30μ-in MIN) OVER NICKEL(100μ-in MIN)	GOLD (1μ-in MIN) OVER NICKEL (50μ-in MIN)
73251-4963	NOT INCLUDED	NOT INCLUDED	.110 / 2.79	GOLD (5μ-in MIN) OVER NICKEL (50μ-in MIN)	GOLD (30μ-in MIN) OVER NICKEL(100μ-in MIN)	-----
73251-4962	1	NOT INCLUDED	.110 / 2.79	NICKEL (100μ-in MIN)	GOLD (30μ-in MIN) OVER NICKEL(100μ-in MIN)	NICKEL (100μ-in MIN)
73251-4961	2	1	.155 / 3.94	GOLD (1μ-in MIN) OVER NICKEL (50μ-in MIN)	GOLD (1μ-in MIN) OVER NICKEL (50μ-in MIN)	GOLD (1μ-in MIN) OVER NICKEL (50μ-in MIN)
73251-4960	1	1	.075 / 1.91	GOLD (1μ-in MIN) OVER NICKEL (50μ-in MIN)	GOLD (1μ-in MIN) OVER NICKEL (50μ-in MIN)	GOLD (1μ-in MIN) OVER NICKEL (50μ-in MIN)
	INCLUDED	INCLUDED	DIM A	PLATING	PLATING	PLATING

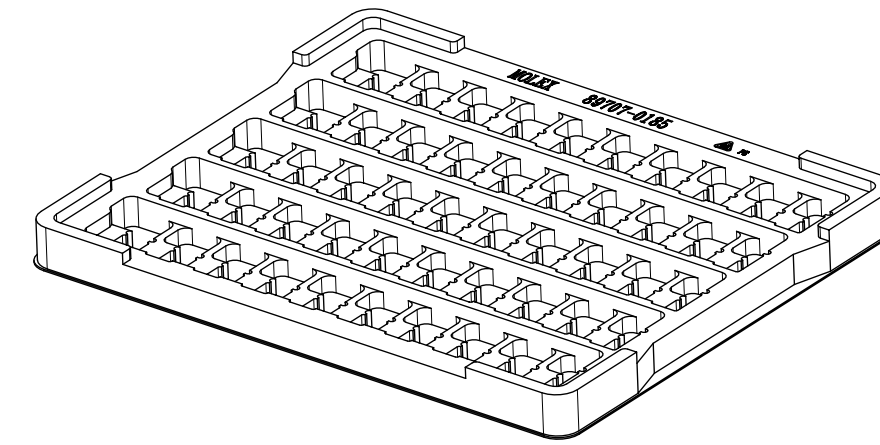
PS-89675-3460	PRODUCT SPECIFICATION
MIL-STD-348A, FIG. 310.2	INTERFACE
SPECIFICATION	DESCRIPTION

FUNCTIONAL SYMBOLS		THIS DRAWING CONTAINS INFORMATION THAT IS PROPRIETARY TO MOLEX ELECTRONIC TECHNOLOGIES, LLC AND SHOULD NOT BE USED WITHOUT WRITTEN PERMISSION	
FA = 0	DIMENSION UNITS	SCALE	CURRENT REV DESC: ADD P/N 73251-4967 FOR TR PACKAGING PER EWR14716-C
EA = 0	INCH/MM	NTS	
EP = 0	GENERAL TOLERANCES (UNLESS SPECIFIED)		
	ANGULAR TOL ± °		
	4 PLACES	±	EC NO: 737836
	3 PLACES	±	DRWN: CWEI02 2023/02/03
	2 PLACES	±	CHK'D: YCHENG 2023/02/10
	1 PLACE	±	APPR: YCHENG 2023/02/10
	0 PLACES	±	INITIAL REVISION:
			DRWN: AROBERTSON 2012/11/21
			APPR: JWIENER 2012/11/27
DRAFT WHERE APPLICABLE MUST REMAIN WITHIN DIMENSIONS		THIRD ANGLE PROJECTION	DRAWING SERIES
			C-SIZE 73251
DOCUMENT STATUS	P1	RELEASE DATE	2023/02/10 08:51:15

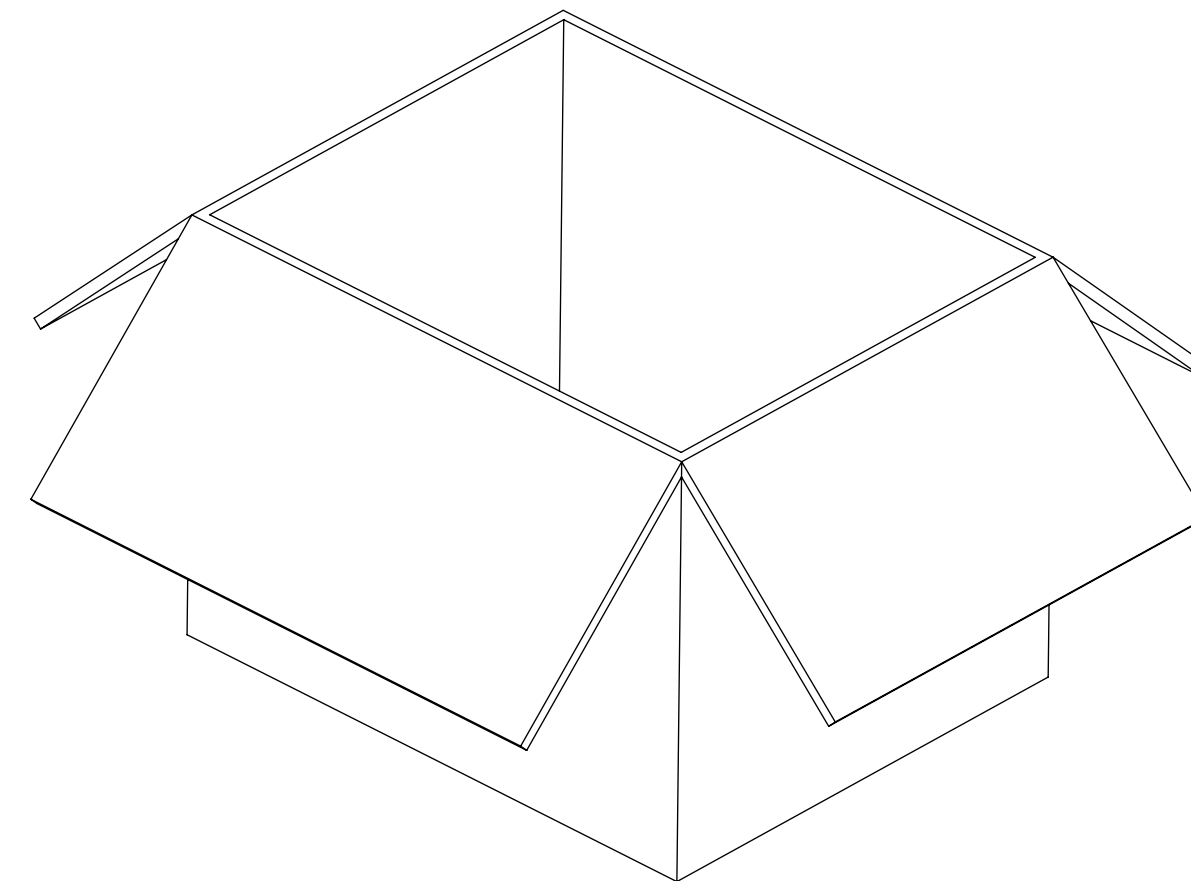
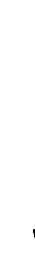
molex		
SMA JACK RA BLKHD RM PCB TH SMA-J/RA/PCB, EWR-2144		
PRODUCT CUSTOMER DRAWING		
DOCUMENT NUMBER	DOC TYPE	DOC PART
SD-73251-496	PSD	000 B10
MATERIAL NUMBER	CUSTOMER	SHEET NUMBER
SEE TABLE	GENERAL MARKET	1 OF 6




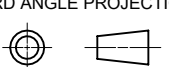
PART NO : 73251-4960
 PART NO: 73251-4962
 PART NO: 73251-4963
 PART NO: 73251-4964
 PART NO: 73251-4965



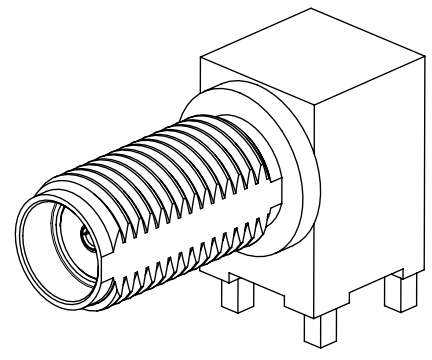
50 SET PER TRAY
 P/N: 89707-0185



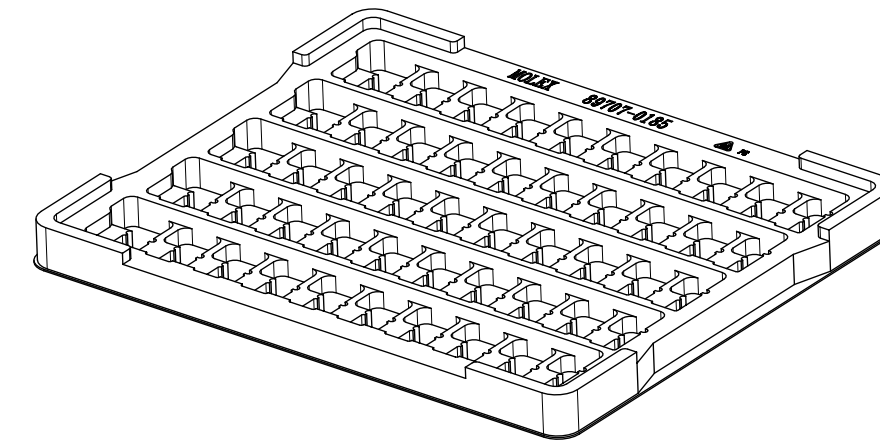
1400 SET PER OUTER CARTON BOX
 P/N: 89499-9027

FUNCTIONAL SYMBOLS	THIS DRAWING CONTAINS INFORMATION THAT IS PROPRIETARY TO MOLEX ELECTRONIC TECHNOLOGIES, LLC AND SHOULD NOT BE USED WITHOUT WRITTEN PERMISSION													
	DIMENSION UNITS	SCALE	CURRENT REV DESC: ADD P/N 73251-4967 FOR TR PACKAGING PER EWR14716-C											
$\frac{F}{A} = 0$	INCH/MM	NTS	EWR-14242-J ADDED LABEL FORMAT FOR 73251-4966									SMA JACK RA BLKHD RM PCB TH SMA-J/RA/PCB, EWR-2144		
$\frac{F}{C} = 0$	GENERAL TOLERANCES (UNLESS SPECIFIED)		EC NO: 737836								PRODUCT CUSTOMER DRAWING			
$\frac{F}{P} = 0$	ANGULAR TOL ± °		DRWN: CWEI02 2023/02/03											
DIVISIONAL SYMBOLS	4 PLACES ±		CHK'D: YCHENG 2023/02/10								DOCUMENT NUMBER SD-73251-496	DOC TYPE PSD	DOC PART 000	REVISION B10
	3 PLACES ±		APPR: YCHENG 2023/02/10											
	2 PLACES ±		INITIAL REVISION:											
	1 PLACE ±		DRWN: AROBERTSON 2012/11/21											
0 PLACES ±		APPR: JWIENER 2012/11/27								MATERIAL NUMBER SEE TABLE	CUSTOMER GENERAL MARKET	SHEET NUMBER		
DRAFT WHERE APPLICABLE MUST REMAIN WITHIN DIMENSIONS		THIRD ANGLE PROJECTION	DRAWING	SERIES								2 OF 6		
			C-SIZE	73251										

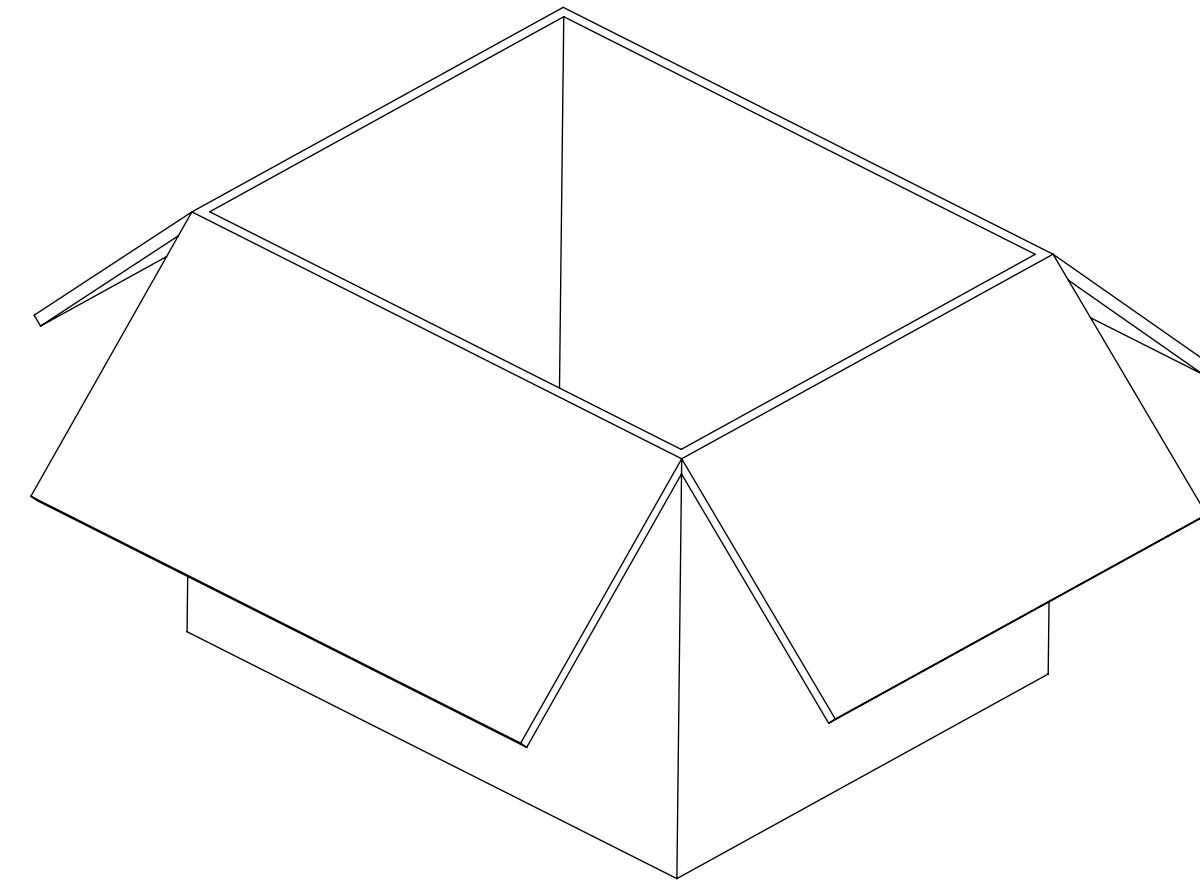
DOCUMENT STATUS	P1	RELEASE DATE	2023/02/10	08:51:15
-----------------	----	--------------	------------	----------




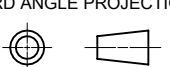
PART NO : 73251-4961



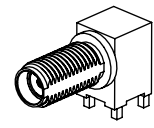
50 SET PER TRAY
P/N: 89707-0185



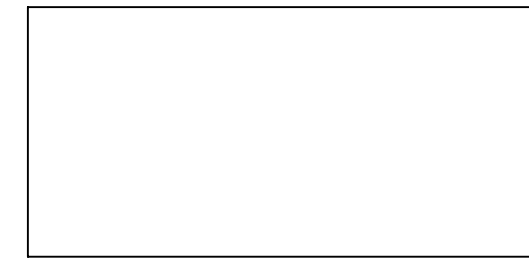
1200 SET PER OUTER CARTON BOX
P/N: 89499-9027

FUNCTIONAL SYMBOLS	THIS DRAWING CONTAINS INFORMATION THAT IS PROPRIETARY TO MOLEX ELECTRONIC TECHNOLOGIES, LLC AND SHOULD NOT BE USED WITHOUT WRITTEN PERMISSION											
	DIMENSION UNITS	SCALE	CURRENT REV DESC: ADD P/N 73251-4967 FOR TR PACKAGING PER EWR14716-C									
$\frac{F}{A} = 0$	INCH/MM	NTS	EWR-14242-J ADDED LABEL FORMAT FOR 73251-4966									SMA JACK RA BLKHD RM PCB TH SMA-J/RA/PCB, EWR-2144
DIVISIONAL SYMBOLS	GENERAL TOLERANCES (UNLESS SPECIFIED)		EC NO: 737836							PRODUCT CUSTOMER DRAWING		
	$\frac{F}{C} = 0$	ANGULAR TOL	±	°	4 PLACES		±	2023/02/03		DOCUMENT NUMBER		
$\frac{F}{P} = 0$	3 PLACES		±	CHK'D: YCHENG		2023/02/10		SD-73251-496		DOC TYPE	DOC PART	REVISION
2 PLACES		±	APPR: YCHENG		2023/02/10		INITIAL REVISION:		PSD	000	B10	
1 PLACE		±	DRWN: AROBERTSON		2012/11/21		DRWN: AROBERTSON		MATERIAL NUMBER		CUSTOMER	
0 PLACES		±	APPR: JWIENER		2012/11/27		APPR: JWIENER		SEE TABLE	GENERAL MARKET		SHEET NUMBER
DRAFT WHERE APPLICABLE MUST REMAIN WITHIN DIMENSIONS		THIRD ANGLE PROJECTION		DRAWING		SERIES		MATERIAL NUMBER		CUSTOMER		SHEET NUMBER
				C-SIZE		73251		SEE TABLE		GENERAL MARKET		3 OF 6

DOCUMENT STATUS	P1	RELEASE DATE	2023/02/10	08:51:15
-----------------	----	--------------	------------	----------



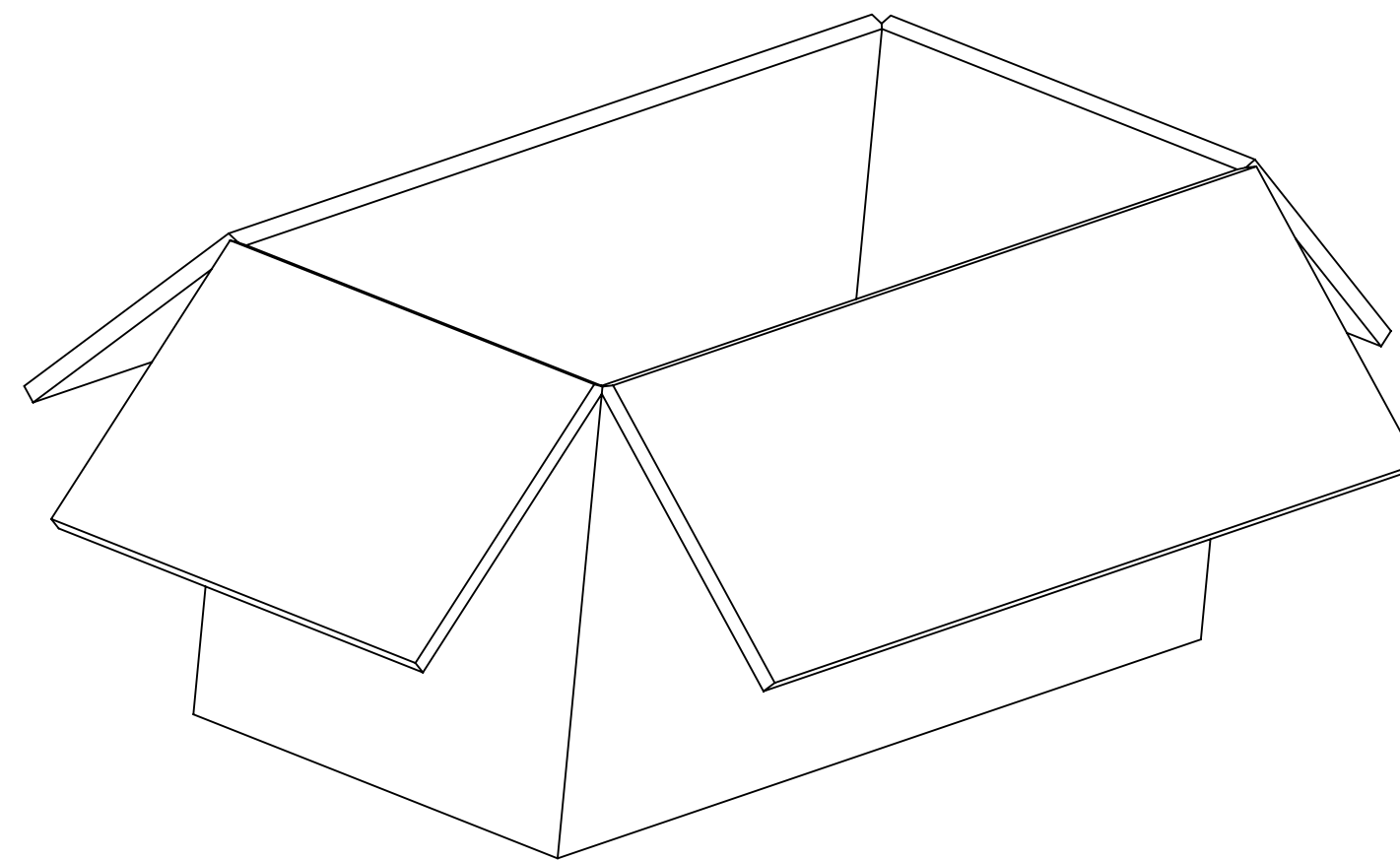
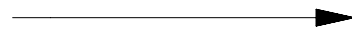
FOR 73251-4966 ONLY



1 SET PER POLYBAG
P/N: 89707-0317



50 SET PER POLYBAG
P/N: 89707-0176



500 SET PER OUTER CARTON BOX
P/N: 96707-0002

LABEL FORMAT FOR
73251-4966

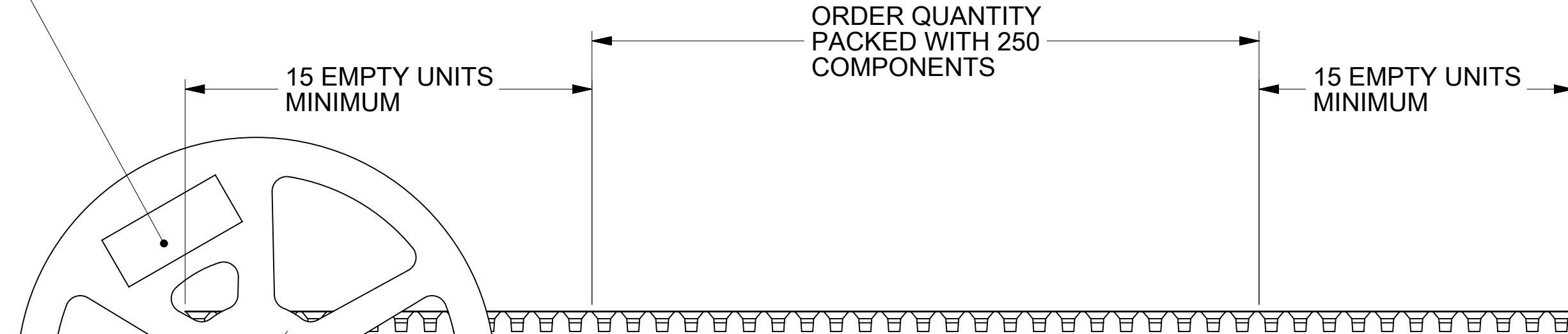
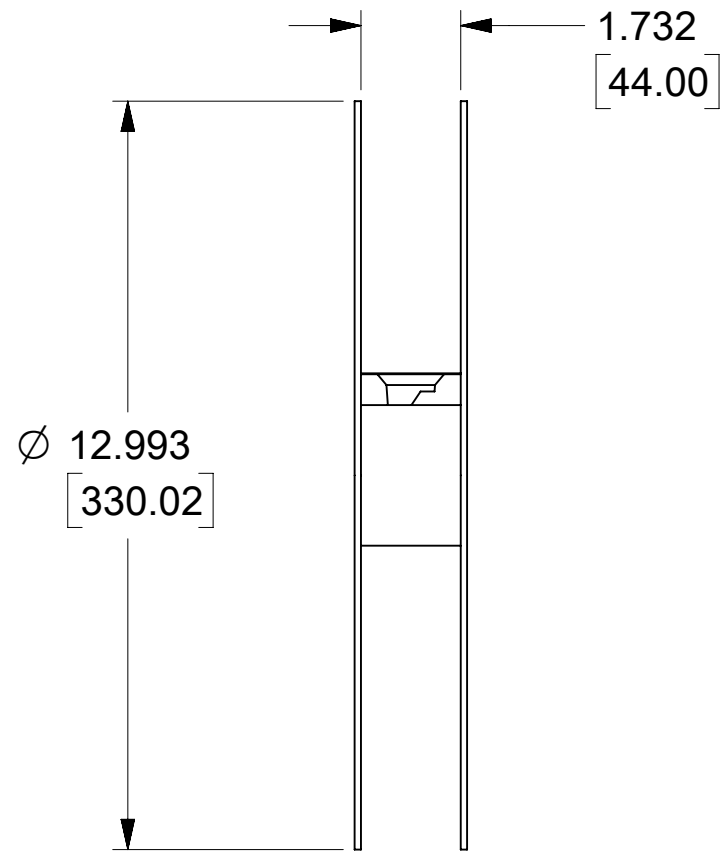
PART NUMBER : 73251-2200
ORDER NUMBER : 73251-4966
MOLEX
DATE : YYWW

FUNCTIONAL SYMBOLS	THIS DRAWING CONTAINS INFORMATION THAT IS PROPRIETARY TO MOLEX ELECTRONIC TECHNOLOGIES, LLC AND SHOULD NOT BE USED WITHOUT WRITTEN PERMISSION												
	DIMENSION UNITS	SCALE	CURRENT REV DESC: ADD P/N 73251-4967 FOR TR PACKAGING PER EWR14716-C										
$\frac{F}{A} = 0$	INCH/MM	NTS	EWR-14242-J ADDED LABEL FORMAT FOR 73251-4966										
DIVISIONAL SYMBOLS	GENERAL TOLERANCES (UNLESS SPECIFIED)												
	$\frac{E}{C} = 0$	ANGULAR TOL ± °											
DIVISIONAL SYMBOLS	$\frac{E}{P} = 0$		EC NO: 737836										
	4 PLACES	±	DRWN: CWEI02 2023/02/03										
	3 PLACES	±	CHK'D: YCHENG 2023/02/10										
	2 PLACES	±	APPR: YCHENG 2023/02/10										
1 PLACE		±	INITIAL REVISION:										
0 PLACES		±	DRWN: AROBERTSON 2012/11/21										
DRAFT WHERE APPLICABLE MUST REMAIN WITHIN DIMENSIONS		THIRD ANGLE PROJECTION		DRAWING		SERIES		MATERIAL NUMBER		CUSTOMER		SHEET NUMBER	
				C-SIZE		73251		SEE TABLE		GENERAL MARKET		4 OF 6	

SMA JACK RA BLKHD RM PCB TH SMA-J/RA/PCB, EWR-2144			
PRODUCT CUSTOMER DRAWING			
DOCUMENT NUMBER	DOC TYPE	DOC PART	REVISION
SD-73251-496	PSD	000	B10

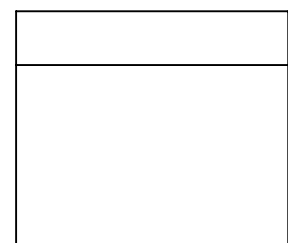
FOR 73251-4967 ONLY

LABEL:
 -ORDER NUMBER
 -QUANTITY
 -PART NUMBER
 -LOT NUMBER

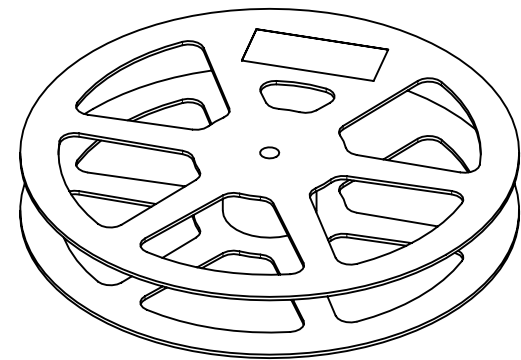


ORDER QUANTITY
 PACKED WITH 250
 COMPONENTS

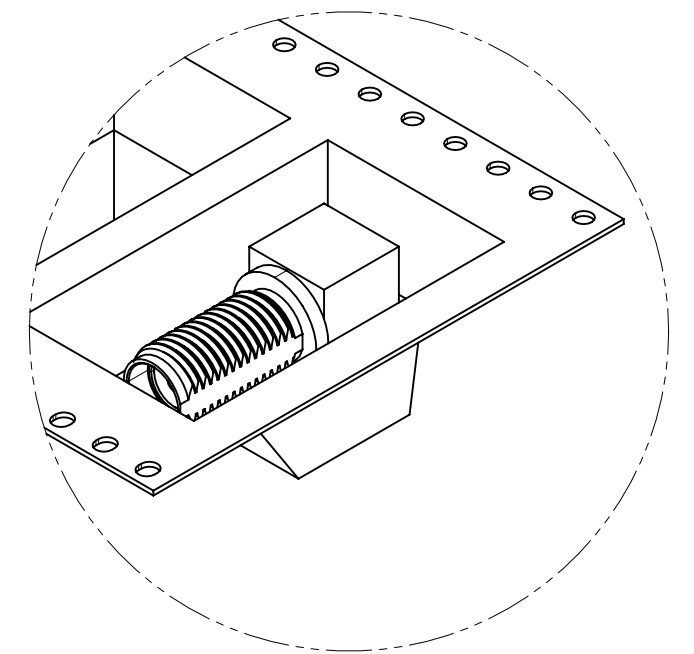
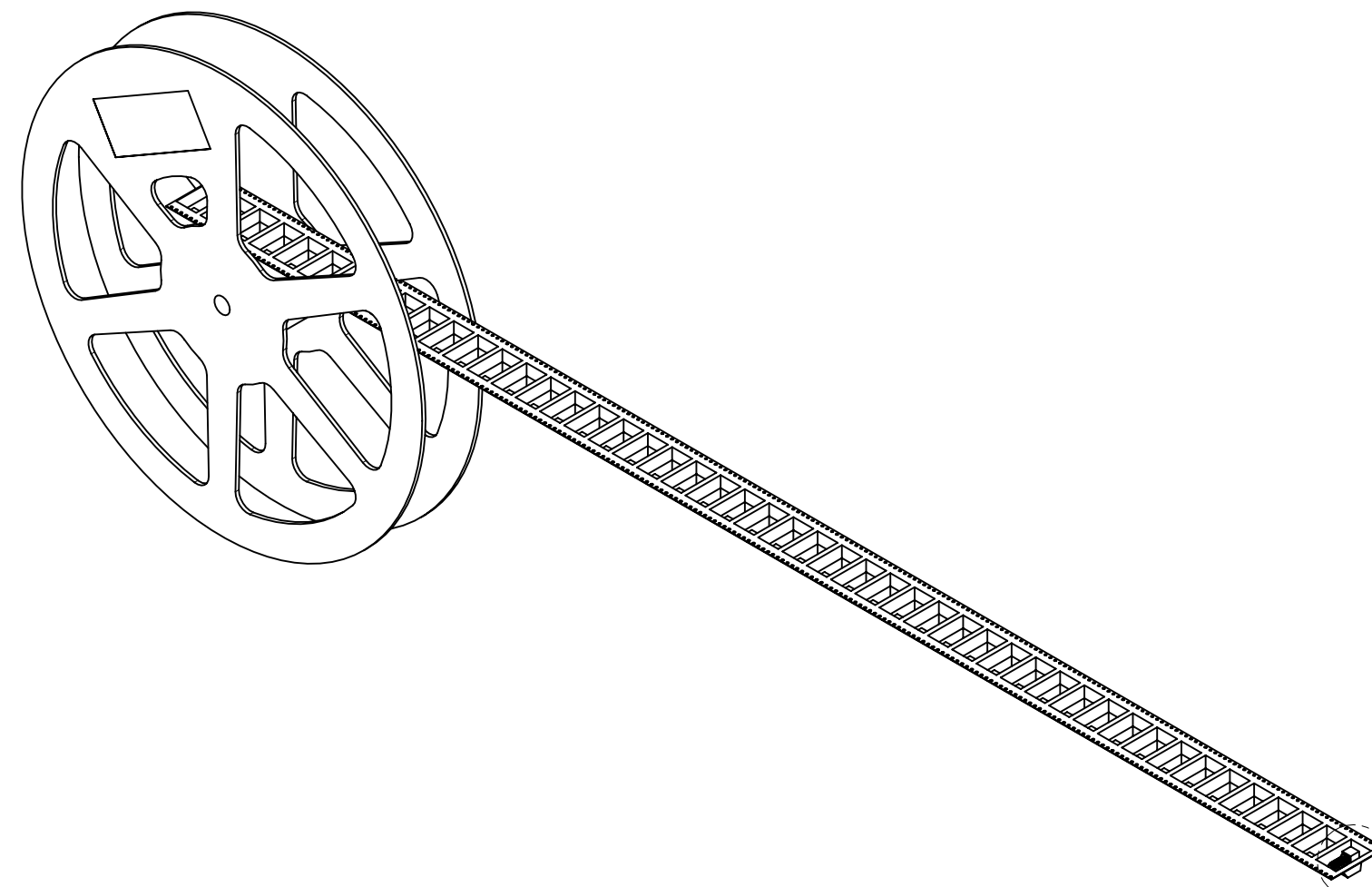
Ø .502 REF
 [12.75]



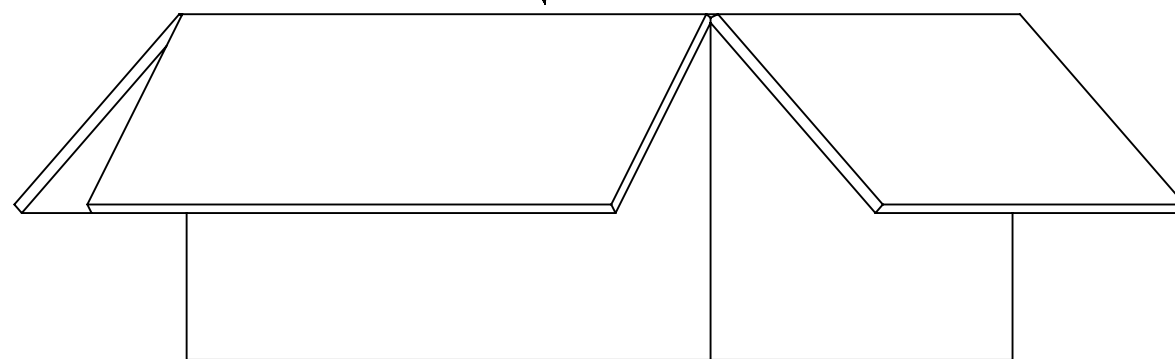
ACCESSORY



REELS X 4 PCS



DETAIL B



1000 SETS PER CARTON BOX
 OUTER DIMENSION: 343 X 343X 220 MM

FUNCTIONAL SYMBOLS	THIS DRAWING CONTAINS INFORMATION THAT IS PROPRIETARY TO MOLEX ELECTRONIC TECHNOLOGIES, LLC AND SHOULD NOT BE USED WITHOUT WRITTEN PERMISSION											
	DIMENSION UNITS	SCALE	CURRENT REV DESC: ADD P/N 73251-4967 FOR TR PACKAGING PER EWR14716-C									
FA = 0	INCH/MM	NTS										
EC = 0	GENERAL TOLERANCES (UNLESS SPECIFIED)										PRODUCT CUSTOMER DRAWING	
EP = 0	ANGULAR TOL ± °											
DIVISIONAL SYMBOLS	4 PLACES ±		EC NO: 737836		2023/02/03		DRWN: CWEI02		2023/02/10			
	3 PLACES ±		DRWN: YCHENG		2023/02/10		CHK'D: YCHENG		2023/02/10			
	2 PLACES ±		APPR: YCHENG		2023/02/10		INITIAL REVISION:					
	1 PLACE ±		DRWN: AROBERTSON		2012/11/21		DRWN: AROBERTSON		2012/11/27			
0 PLACES ±		APPR: JWIENER		2012/11/27		APPR: JWIENER		2012/11/27				
DRAFT WHERE APPLICABLE MUST REMAIN WITHIN DIMENSIONS		THIRD ANGLE PROJECTION		DRAWING		SERIES		MATERIAL NUMBER		CUSTOMER		
				C-SIZE		73251		SEE TABLE		GENERAL MARKET		
								DOC TYPE		DOC PART		
								PSD		000		
								B10		REVISION		
								6 OF 6		SHEET NUMBER		

DOCUMENT STATUS	P1	RELEASE DATE	2023/02/10	08:51:15
-----------------	----	--------------	------------	----------