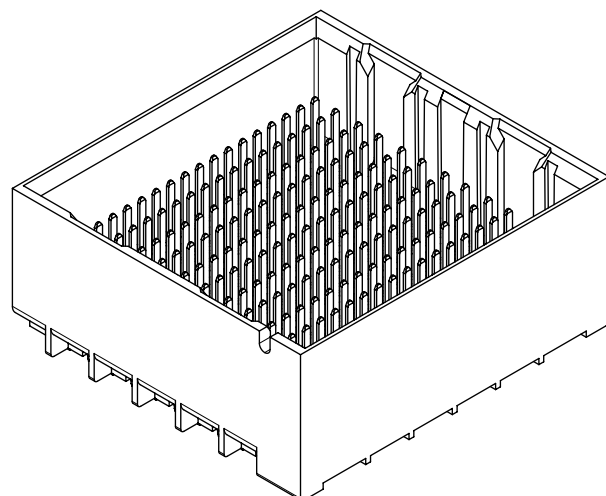


- NOTES:
- MATERIALS: HOUSING - LIQUID CRYSTAL POLYMER (LCP)
GLASS-FILLED, UL94V-0
TERMINALS - HIGH PERFORMANCE COPPER ALLOY
 - FINISH: 30μ MIN. GOLD IN CONTACT AREA.
SELECTIVE TIN ON PCB TAILS.
NICKEL OVERALL.
 - REFER TO MOLEX PRODUCT SPECIFICATION PS-76060-999 FOR PERFORMANCE SPECIFICATIONS AND ADDITIONAL PCB INFORMATION.
 - THIS PART CONFORMS TO CLASS B REQUIREMENTS OF MOLEX COSMETIC SPEC PS-45499-002.
 - PACKAGE PER: PK-70873-760.
 - SEE SHEETS 2 & 3 FOR PART NUMBERS AND BOARD RELATIONSHIPS.
 - MATES WITH IMPACT ORTHO DC SERIES NO. 76290.
 - REFER TO MOLEX PCB ROUTING GUIDE AS-76060-990 FOR ANTIPAD AND ROUTING RECOMMENDATIONS.
 - THESE DIMENSIONS REPRESENT THE AREA NEEDED TO ACCOMMODATE CONNECTOR INSERTION AND REPAIR ON THE PC BOARD. THIS IS REFERRED TO AS THE "CONNECTOR KEEP OUT ZONE" AND DOES NOT REPRESENT THE ACTUAL PERIMETER OF THE CONNECTOR. WHEN LAYING OUT A PC BOARD FOR CONNECTORS STACKED TOGETHER, USE A 1.9mm PROGRESSION.

THIS DRAWING CONTAINS INFORMATION THAT IS PROPRIETARY TO MOLEX ELECTRONIC TECHNOLOGIES, LLC AND SHOULD NOT BE USED WITHOUT WRITTEN PERMISSION											
MIGRATED TO NX EC NO: 167486 DRWN: ABABU01 CHKD: CD REV / APPR: GGA	GENERAL TOLERANCES (UNLESS SPECIFIED)		DIMENSION UNITS	SCALE							
	ANGULAR TOL ± 0.5 °		MM	4:1							
	4 PLACES ±	DRWN BY	DATE								
	3 PLACES ±	JMENDOZA	2012/09/25								
2 PLACES ± 0.13	CHKD BY	DATE	IMPACT 6 PAIR ORTHO MATE UNGUIDED HEADER ASSEMBLY SALES DRAWING								
1 PLACE ± 0.25	TELO	2012/09/25	PRODUCT CUSTOMER DRAWING								
0 PLACES ±	APPR BY	DATE	SERIES MATERIAL NUMBER CUSTOMER								
DRAFT WHERE APPLICABLE MUST REMAIN WITHIN DIMENSIONS	TELO	2016/02/22	76289	SEE CHART	GENERAL MARKET						
A2	DRAWING SIZE	THIRD ANGLE PROJECTION	DOCUMENT NUMBER		DOC TYPE		DOC PART	SHEET NUMBER			
	C		SD-76289-0001		PSD	001	1 OF 3				

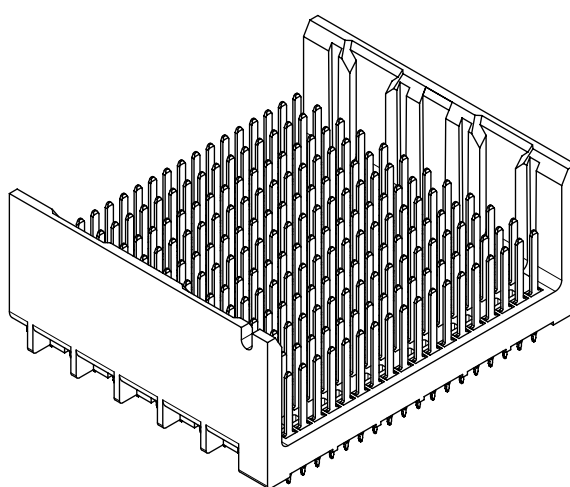
PART NUMBER CHART

MATERIAL NUMBER	# OF COLUMNS	# OF DIFF. PAIR	DIM. A	DIM. B	DUAL END WALL OPTION
76289-112*	10	60	22.90	18.10	
76289-122*	12	72	26.95	22.15	



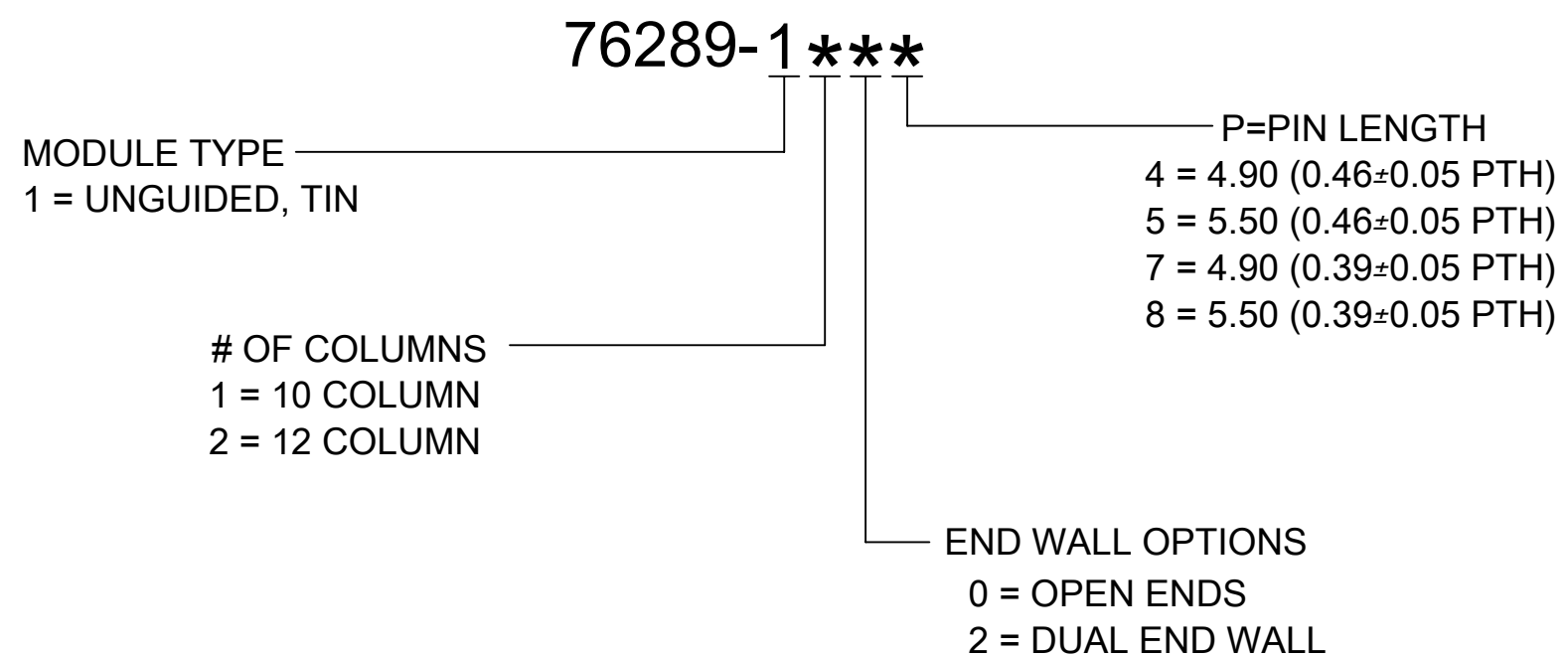
DUAL END
WALL OPTION

MATERIAL NUMBER	# OF COLUMNS	# OF DIFF. PAIR	DIM. A	DIM. B	OPEN WALL OPTION
76289-110*	10	60	20.10	18.10	
76289-120*	12	72	24.15	22.15	



OPEN
WALL OPTION

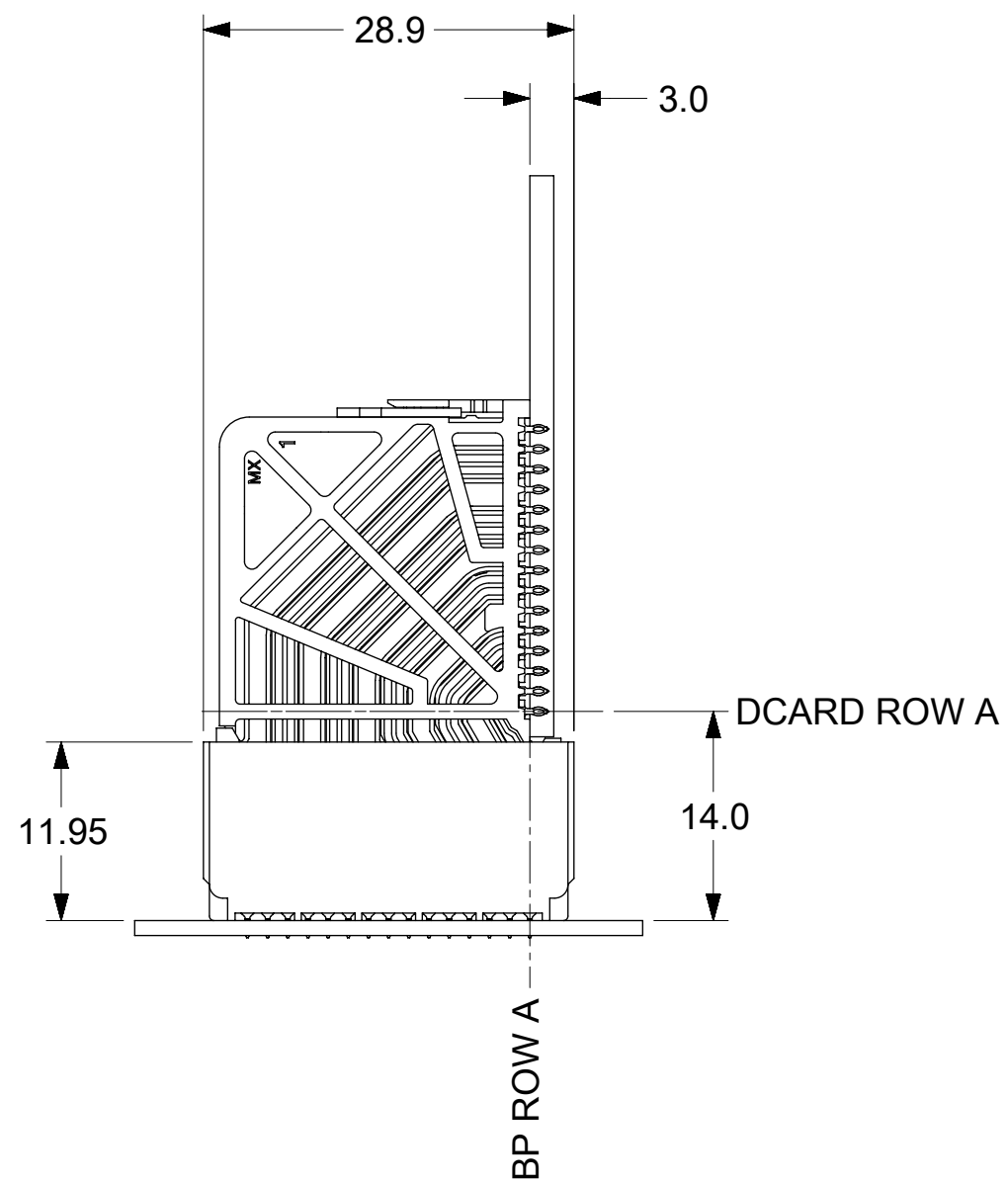
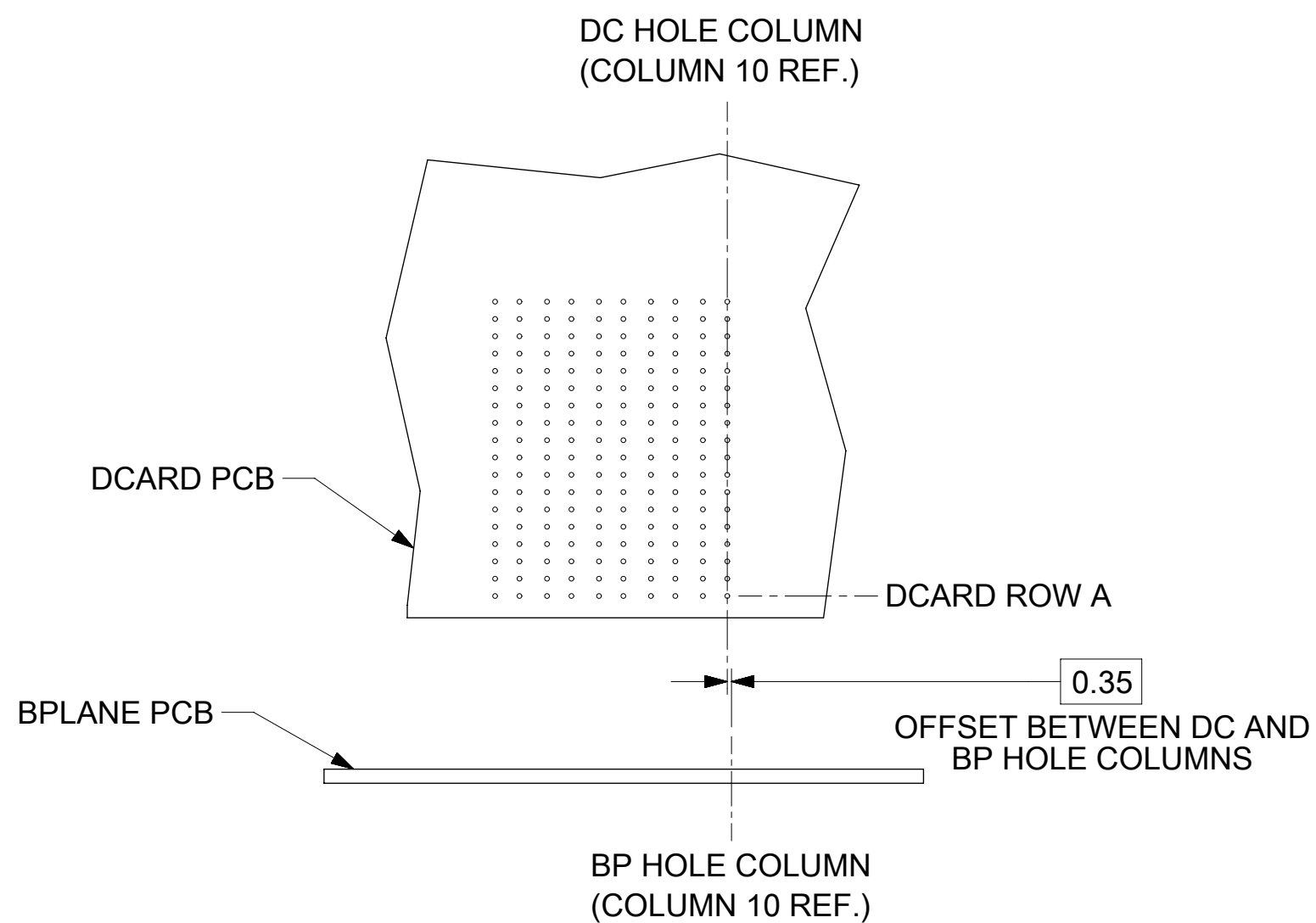
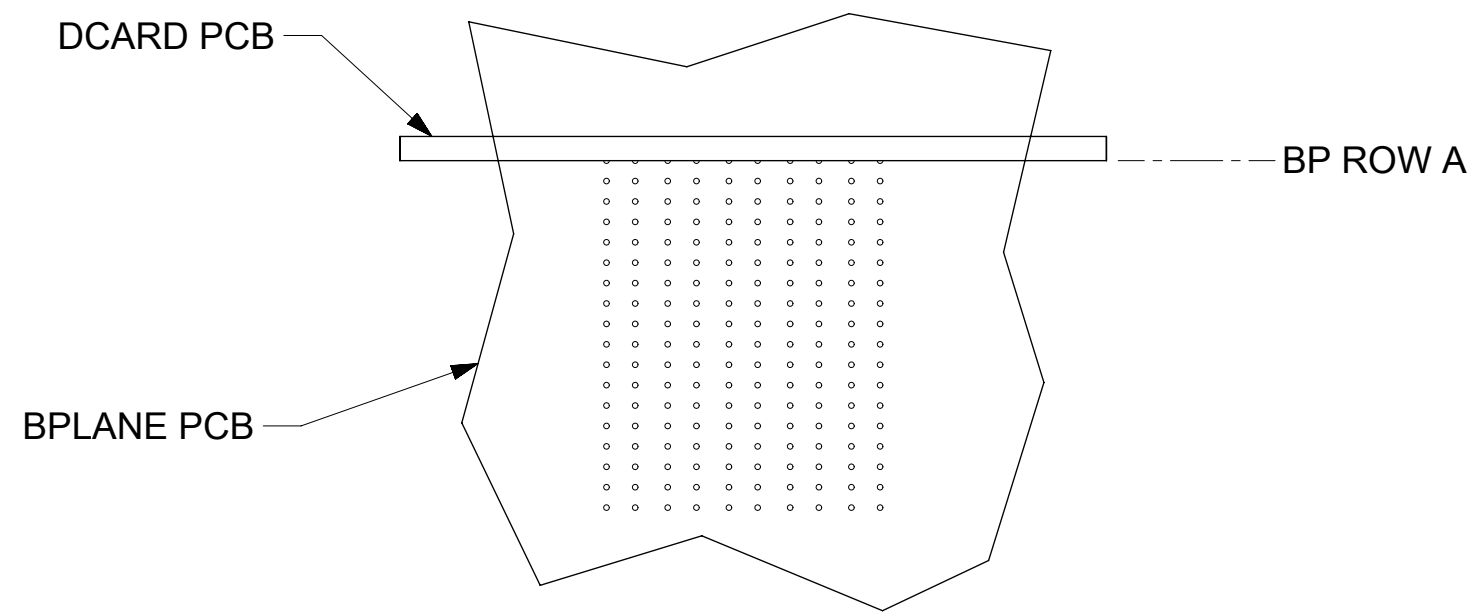
PART NUMBER LOGIC



THIS DRAWING CONTAINS INFORMATION THAT IS PROPRIETARY TO MOLEX ELECTRONIC TECHNOLOGIES, LLC AND SHOULD NOT BE USED WITHOUT WRITTEN PERMISSION

MIGRATED TO NX EC NO: 167466 DRWN: ABABU01 CHKD: CD REV / APPR: GGA	2017/10/31	2017/10/31	2017/11/02	GENERAL TOLERANCES (UNLESS SPECIFIED) ANGULAR TOL ± 0.5 °	DIMENSION UNITS	SCALE		
	4 PLACES ±		JMENDOZA		MM	2:1		
	3 PLACES ±		TELO		DRWN BY	DATE		
	2 PLACES ± 0.13		TELO		CHKD BY	DATE		
1 PLACE ± 0.25		TELO		APPR BY	DATE	PRODUCT CUSTOMER DRAWING		
0 PLACES ±		TELO		DRAWING SIZE		THIRD ANGLE PROJECTION	SERIES	
DRAFT WHERE APPLICABLE MUST REMAIN WITHIN DIMENSIONS				C		76289		
						SEE CHART		
						GENERAL MARKET		
						DOCUMENT NUMBER		
						SD-76289-0001		
						DOC TYPE		
						PSD		
						DOC PART		
						001		
						SHEET NUMBER		
						2 OF 3		

IMPACT 6 PAIR ORTHO MATE BOARD RELATIONSHIPS



THIS DRAWING CONTAINS INFORMATION THAT IS PROPRIETARY TO MOLEX ELECTRONIC TECHNOLOGIES, LLC AND SHOULD NOT BE USED WITHOUT WRITTEN PERMISSION

MIGRATED TO NX EC NO: 167486 DRWN: ABABU01 CHKD: CD REV / APPR: GGA	2017/10/31 2017/10/31 2017/11/02		GENERAL TOLERANCES (UNLESS SPECIFIED)		DIMENSION UNITS	SCALE	molex IMPACT 6 PAIR ORTHO MATE UNGUIDED HEADER ASSEMBLY SALES DRAWING			
			ANGULAR TOL ± 0.5 °		MM	2:1				
	4 PLACES ±		JMENDOZA		DRWN BY	DATE		PRODUCT CUSTOMER DRAWING		
	3 PLACES ±		2012/09/25		CHKD BY	DATE				
2 PLACES ± 0.13		TELO		APPR BY	DATE	SERIES	MATERIAL NUMBER	CUSTOMER		
1 PLACE ± 0.25		2012/09/25		TELO	2016/02/22	76289	SEE CHART	GENERAL MARKET		
0 PLACES ±		DRAWING SIZE		THIRD ANGLE PROJECTION		DOCUMENT NUMBER				
DRAFT WHERE APPLICABLE MUST REMAIN WITHIN DIMENSIONS		C				SD-76289-0001		DOC TYPE	DOC PART	SHEET NUMBER
						PSD		001	3 OF 3	