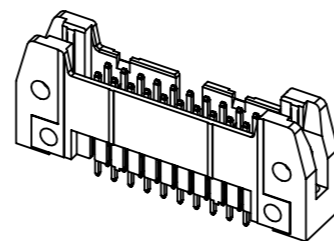
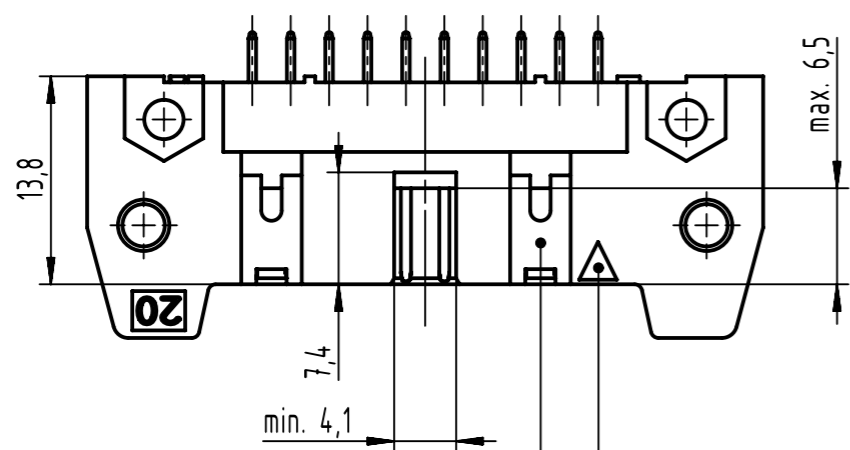
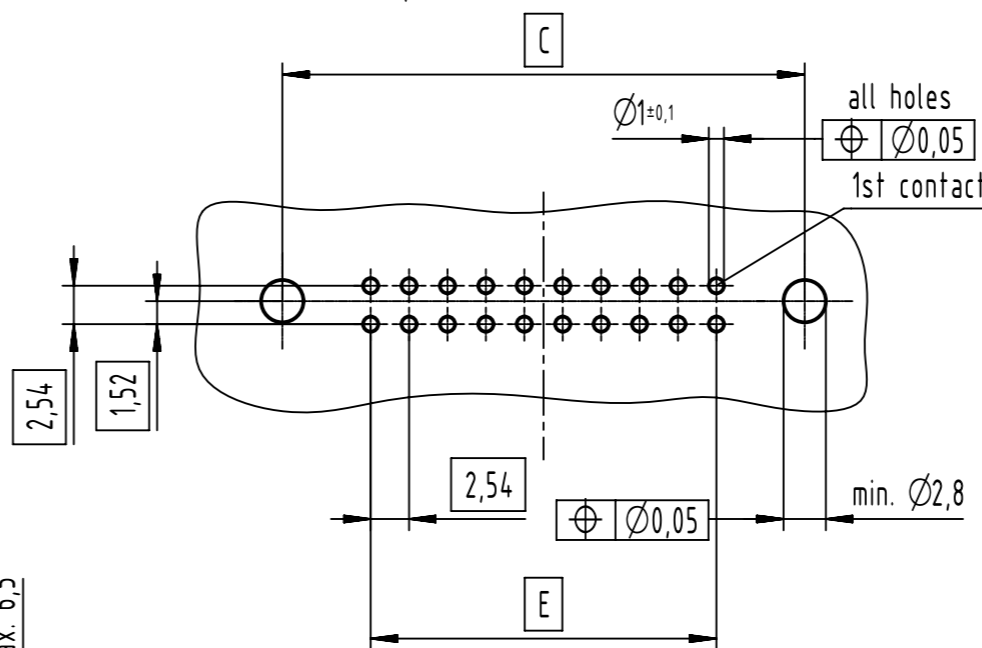
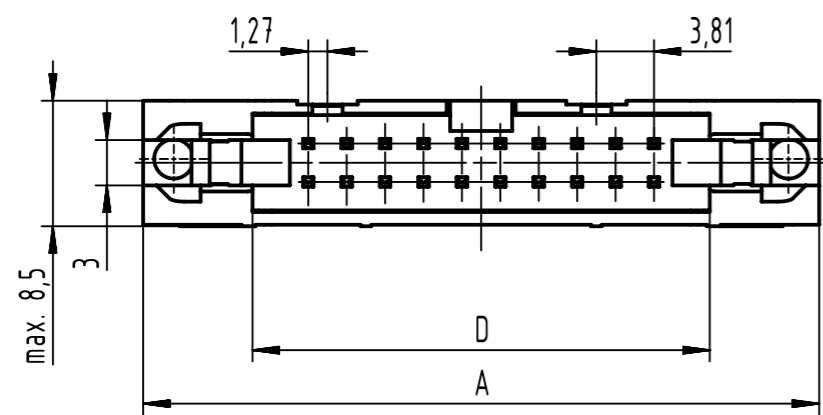


PCB layout
view component side
thickness 1,6



further information see
product data sheet


full range of P/N's and
dimensions shown on page 2/2

coding style table	
	style A: for connectors 6-pole
	style B: for connectors from 10 to 14-pole
	style C: for connectors from 16 to 64-pole

1st contact
see table for coding,
feature arrangement and style

All Dimensions in mm Original Size DIN A3		Scale 2:1	Free size tol. IEC 60603-13		Ref. Sub.
All rights reserved Department EL PD		Created by STORCK	Inspected by LEHNERT	Standardisation 302077	Date 2021-02-02
HARTING D-32339 Espelkamp		Title SEK 19 male STD solder straight without lever 2.9			Doc-Key / ECM-Nr. 100154464/UGD/040/B 500000163153
		Type TB	Number 09195XXX924		Rev. B Page 1/2

no. of contacts	performance level			insulator colour	remark	dimensions			
	PL3 part number	PL2 part number	NM30 (S4) part number			A max.	C	D	E
06	09 19 506 7924	09 19 506 6924	09 19 506 5924	beige	-	27,22	22,86	12,45	2,54 x 2 = 5,08
10	09 19 510 7924	09 19 510 6924	09 19 510 5924			32,30	27,94	17,53	2,54 x 4 = 10,16
14	09 19 514 7924	09 19 514 6924	09 19 514 5924			37,38	33,02	22,61	2,54 x 6 = 15,24
16	09 19 516 7924	09 19 516 6924	09 19 516 5924			39,92	35,56	25,15	2,54 x 7 = 17,78
20	09 19 520 7924	09 19 520 6924	09 19 520 5924			45,00	40,64	30,23	2,54 x 9 = 22,86
24	09 19 524 7924	09 19 524 6924	09 19 524 5924			50,08	45,72	35,91	2,54 x 11 = 27,94
26	09 19 526 7924	09 19 526 6924	09 19 526 5924			52,62	48,26	37,85	2,54 x 12 = 30,48
30	09 19 530 7924	09 19 530 6924	09 19 530 5924			57,70	53,34	42,93	2,54 x 14 = 35,56
34	09 19 534 7924	09 19 534 6924	09 19 534 5924			62,78	58,42	48,01	2,54 x 16 = 40,64
40	09 19 540 7924	09 19 540 6924	09 19 540 5924			70,40	66,04	55,63	2,54 x 19 = 48,26
50	09 19 550 7924	09 19 550 6924	09 19 550 5924			83,10	78,74	68,33	2,54 x 24 = 60,96
60	09 19 560 7924	09 19 560 6924	09 19 560 5924			95,80	91,44	81,03	2,54 x 29 = 73,66
64	09 19 564 7924	09 19 564 6924	09 19 564 5924			100,88	96,52	86,11	2,54 x 31 = 78,74
06	09 19 506 7924 001	09 19 506 6924 001	09 19 506 5924 001			black	without printing; available on request	27,22	22,86
10	09 19 510 7924 001	09 19 510 6924 001	09 19 510 5924 001	32,30	27,94			17,53	2,54 x 4 = 10,16
14	09 19 514 7924 001	09 19 514 6924 001	09 19 514 5924 001	37,38	33,02			22,61	2,54 x 6 = 15,24
16	09 19 516 7924 001	09 19 516 6924 001	09 19 516 5924 001	39,92	35,56			25,15	2,54 x 7 = 17,78
20	09 19 520 7924 001	09 19 520 6924 001	09 19 520 5924 001	45,00	40,64			30,23	2,54 x 9 = 22,86
24	09 19 524 7924 001	09 19 524 6924 001	09 19 524 5924 001	50,08	45,72			35,91	2,54 x 11 = 27,94
26	09 19 526 7924 001	09 19 526 6924 001	09 19 526 5924 001	52,62	48,26			37,85	2,54 x 12 = 30,48
30	09 19 530 7924 001	09 19 530 6924 001	09 19 530 5924 001	57,70	53,34			42,93	2,54 x 14 = 35,56
34	09 19 534 7924 001	09 19 534 6924 001	09 19 534 5924 001	62,78	58,42			48,01	2,54 x 16 = 40,64
40	09 19 540 7924 001	09 19 540 6924 001	09 19 540 5924 001	70,40	66,04			55,63	2,54 x 19 = 48,26
50	09 19 550 7924 001	09 19 550 6924 001	09 19 550 5924 001	83,10	78,74			68,33	2,54 x 24 = 60,96
60	09 19 560 7924 001	09 19 560 6924 001	09 19 560 5924 001	95,80	91,44			81,03	2,54 x 29 = 73,66
64	09 19 564 7924 001	09 19 564 6924 001	09 19 564 5924 001	100,88	96,52			86,11	2,54 x 31 = 78,74

	All Dimensions in mm Original Size DIN A3	Scale 1:1	Free size tol.	Ref.
	All rights reserved Department EL PD	Created by STORCK	Inspected by LEHNERT	Standardisation 302077
Date 2021-02-02		State Final Release		Doc-Key / ECM-Nr. 100154464/UGD/040/B 500000163153
Title SEK 19 male STD solder straight without lever 2.9		Type TB	Number 09195XXX924	Rev. B Page 2/2
HARTING D-32339 Espelkamp				